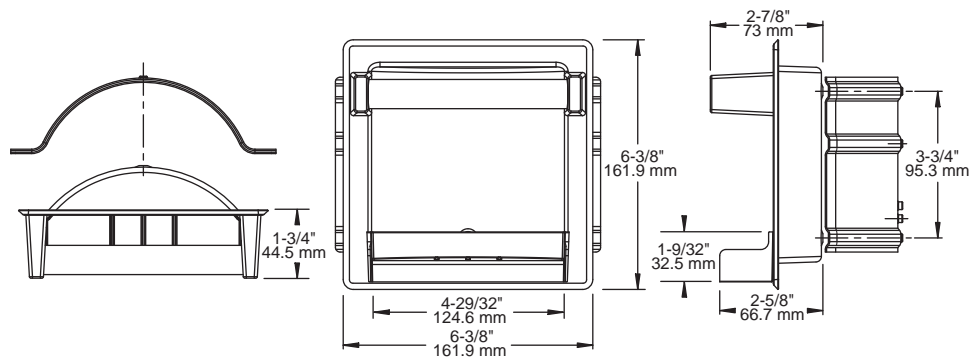


Futura®

RECESSED SOAP DISH WITH BAR



MATERIALS:

Recessed Shell - Stamping Brass
Soap Holder - Plastic
Posts - Zinc Die Cast
Bar - Brass Tube, Seamless Drawn Tubing
Wall Plate - Steel, Nickel Plated

INSTALLATION:

Cut a square hole 5-1/4" x 5-1/4". If wood blocking available, use included fasteners.
If wood blocking is not available, use provided 600R wall clamp.

OPTIONAL FASTENER INFORMATION:

Wood blocking is preferable behind all wall surfaces. If wood blocking is not available, the following fasteners are suggested: Tile/Masonry - Plastic or Lead Anchors, Plaster/Drywall - Toggle Bolts.

SPECIFICATION:

Recessed soap dish with bar shall be model _____
(fill in model number) by Liberty Hardware Manufacturing Corporation.

FranklinBrass®
A Liberty Hardware Brand

Liberty Hardware Manufacturing Corporation • 140 Business Park Drive • Winston-Salem, NC 27107 • 800.542.3789 • www.libertyhardware.com

©2009 LHMC, A Masco Company