

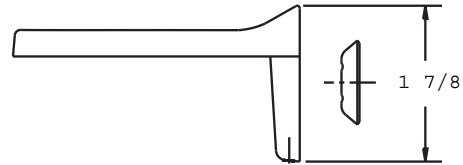
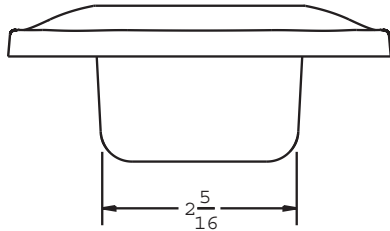
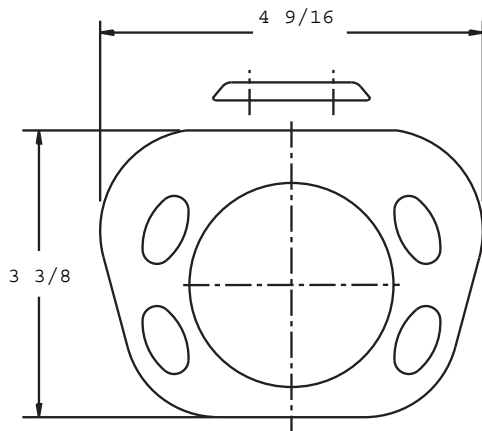
# TECHNICAL DATA

**LIBERTY HARDWARE®**  
MANUFACTURING CORPORATION

**A Masco Company**

140 Business Park Drive • Winston-Salem, NC 27107  
800.542.3789 • T 336.769.4077 • F 336.769.1839  
www.libertyhardware.com

**FUTURA®**  
Toothbrush & Tumbler Holder



**MATERIALS:** Tray and Post Frame - Zinc Die Cast  
Wall Plate - Steel; 20 Gage; Zinc Plated

**INSTALLATION:** Mount wall plate with 2 #8 x 1-1/4" round head zinc plated steel screws and plastic anchors provided. Slip soap dish over the wall plate and tighten set screw until secure.

**OPTIONAL  
FASTENER**

**INFORMATION:** Wood blocking is preferable behind all wall surfaces. If wood blocking is not available, the following fasteners are suggested:  
Tile/Masonry - Plastic or Lead Anchors;  
Plaster/Drywall - Toggle Bolts.

**SPECIFICATION:** Surface mounted soap dish shall be model \_\_\_\_\_  
(fill in model number) by Liberty Hardware Manufacturing Corporation.