

# TECHNICAL DATA

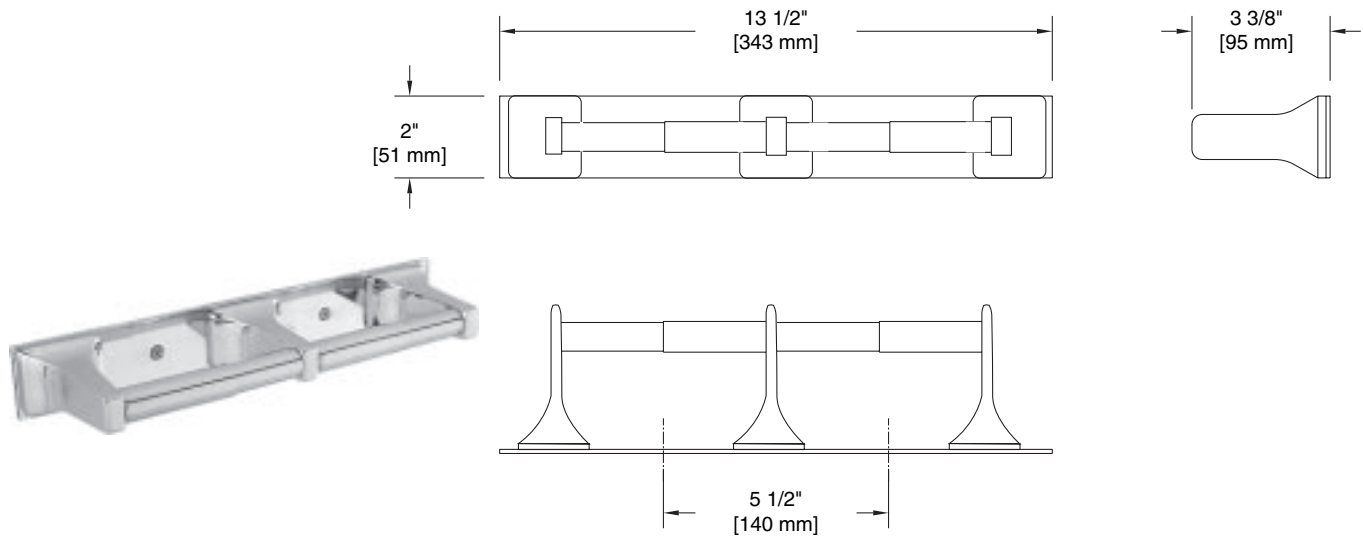
**LIBERTY HARDWARE®**  
MANUFACTURING CORPORATION

A Masco Company

140 Business Park Drive • Winston-Salem, NC 27107  
800.542.3789 • T 336.769.4077 • F 336.769.1839  
www.libertyhardware.com

## DOUBLE TOILET PAPER HOLDER

980 Series



**MATERIALS:** Paper holder posts are die cast from highest quality virgin zinc alloy (Zamak) to meet ASTM standard B-86. Castings are highly polished and chrome plated. Wall plates are 19 gauge zinc plated steel and are installed on 1/8" thick polished aluminum plate with rivets. Roller material as listed under each model number. All rollers are spring actuated.

**INSTALLATION:** Mount pre-assembled double roll paper holder with 2- #9 x 3/4" flathead zinc plated steel screws provided.

Wood blocking is preferable behind all wall surfaces. If wood blocking is not available, the following optional fasteners are suggested:

Tile/Masonry - Plastic or lead anchors  
Plaster/Drywall - Toggle bolts

**SPECIFICATION:** Surface mounted double roll paper holder shall be model \_\_\_\_\_ (fill in model number) by Liberty Hardware Manufacturing Corporation.