

TECHNICAL DATA

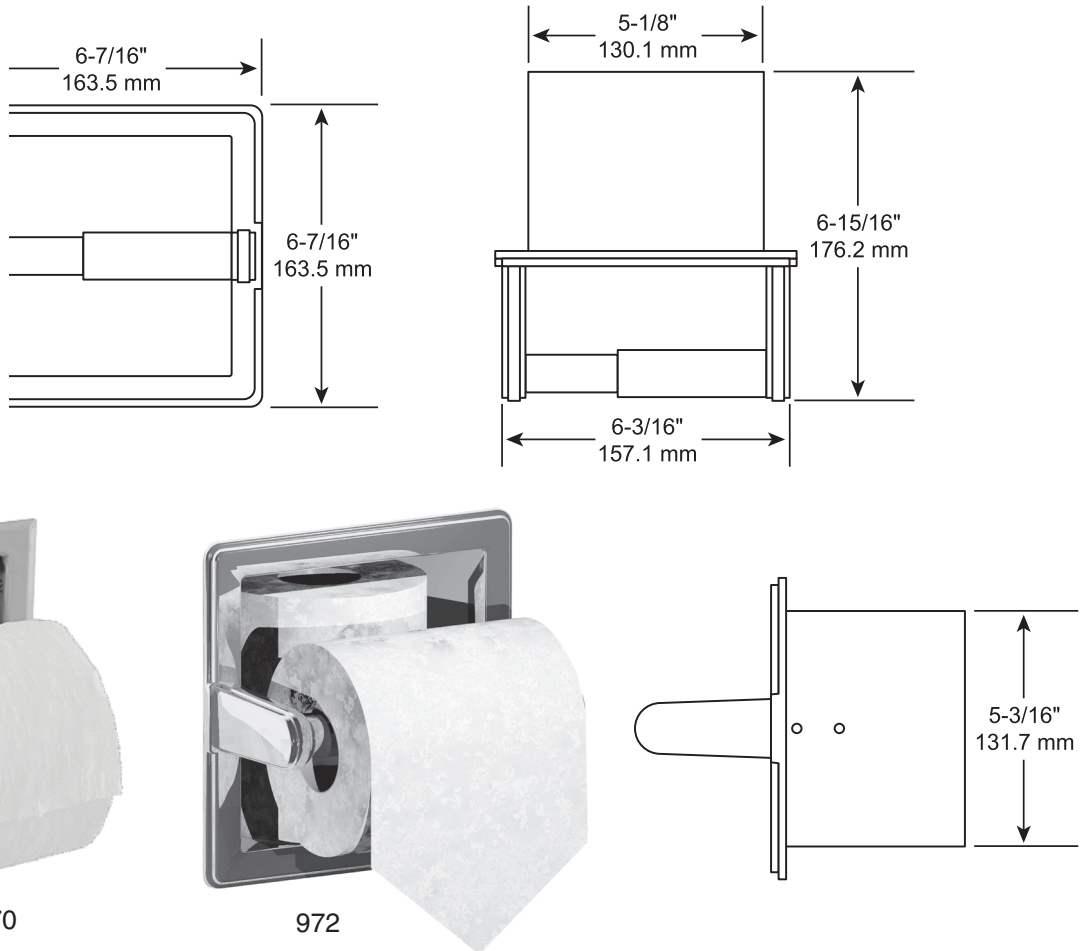
LIBERTY HARDWARE®
MANUFACTURING CORPORATION

A Masco Company

140 Business Park Drive • Winston-Salem, NC 27107
800.542.3789 • T 336.769.4077 • F 336.769.1839
www.libertyhardware.com

RECESSED EXTRA ROLL TOILET PAPER HOLDER

970 & 972 Series



MATERIALS:

Recessed storage box is 25 gauge grey galvanized steel. Projecting posts are die cast from the highest quality virgin zinc alloy (Zamak) to meet ASTM standard B-86. Roller is of matching plastic and is spring actuated.

INSTALLATION:

Cut out wall opening 5-1/4" x 5-1/4" x 4" depth. If wood blocking is available, install recess box into opening using 2-#8 x 1-1/4" flathead nickel plated screws provided. If wood blocking is not available use optional 901R recess wall clamp.

SPECIFICATION:

Recess extra roll paper holder shall be model _____ (fill in model number) by Liberty Hardware Manufacturing Corporation.