

TECHNICAL DATA

LIBERTY HARDWARE®
MANUFACTURING CORPORATION

A Masco Company

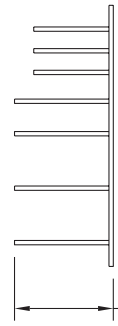
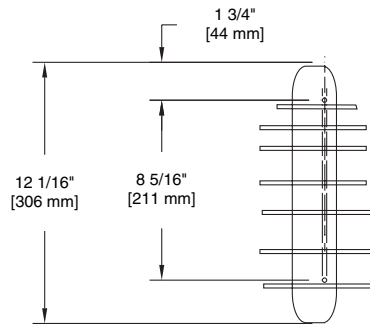
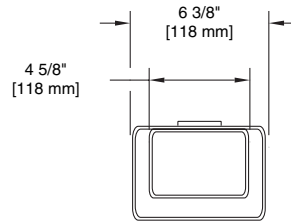
140 Business Park Drive • Winston-Salem, NC 27107
800.542.3789 • T 336.769.4077 • F 336.769.1839
www.libertyhardware.com

GUEST TOWEL UNITS

950, 955 & 960 Series



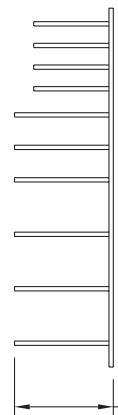
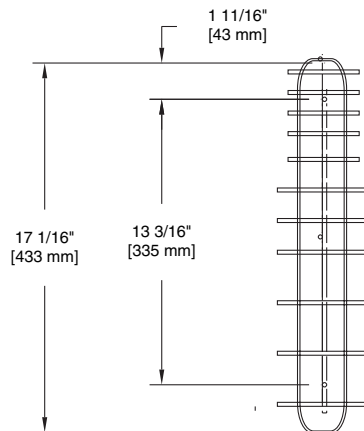
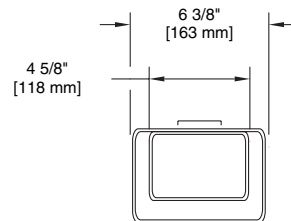
(950)



4 9/16"
[116 mm]



(955)



4 9/16"
[116 mm]

CONTINUE ON REVERSE SIDE

Updated October 2006

TECHNICAL DATA

LIBERTY HARDWARE®
MANUFACTURING CORPORATION

A Masco Company

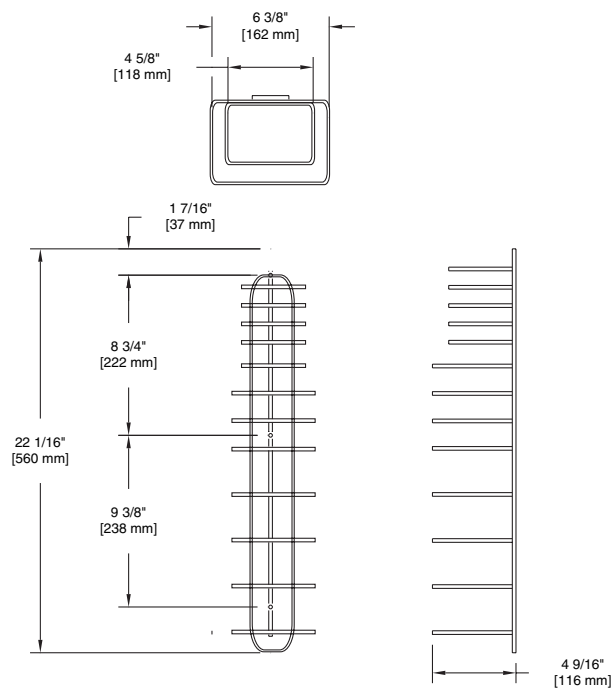
140 Business Park Drive • Winston-Salem, NC 27107
800.542.3789 • T 336.769.4077 • F 336.769.1839
www.libertyhardware.com

GUEST TOWEL UNITS

950, 955 & 960 Series



(960)



CAPACITY: Model 950 - 2 bath towels, 2 hand towels, 2 wash cloths (7 rings)
Model 955 - 3 bath towels, 3 hand towels, 3 wash cloths (10 rings)
Model 960 - 4 bath towels, 4 hand towels, 4 wash cloths (13 rings)

MATERIALS: Guest towels units are constructed from 3/16" diameter chrome plated steel rod.

INSTALLATION: Position on wall and install with 2- (3 for 960) #8 x 1 1/4" roundhead zinc plated steel screws provided.

Wood blocking is preferred behind all wall surfaces. If wood blocking is not available, the following optional fasteners are suggested:

Tile/Masonry - Plastic or lead anchors

Plaster/Drywall - Toggle bolts

SPECIFICATION: Guest towel unit shall be model _____ (fill in model number)
by Liberty Hardware Manufacturing Corporation.