

TECHNICAL DATA

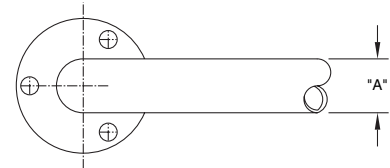
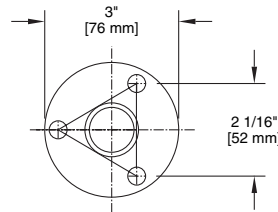
LIBERTY HARDWARE[®] MANUFACTURING CORPORATION

A Masco Company

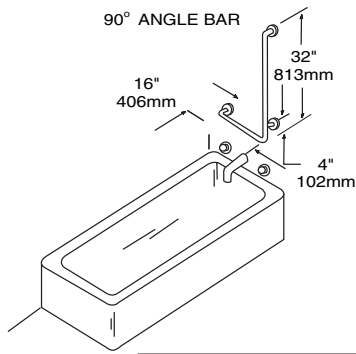
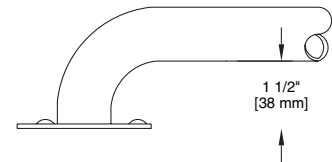
140 Business Park Drive • Winston-Salem, NC 27107
800.542.3789 • T 336.769.4077 • F 336.769.1839
www.libertyhardware.com

GRAB BARS (EXPOSED MOUNTING)

6300 & 6400 Series



MODEL #	DIM "A"
6300	1 1/2" O.D.
6400	1 1/4" O.D.



MODEL	TYPE
6382RH 6382LH	1 1/2" CON.

RIGHT HAND MODEL SHOWN

STRAIGHT BARS

SERIES NO.	TYPE	12" (305mm)	16" (406mm)	18" (457mm)	24" (609mm)	30" (762mm)	32" (812mm)	36" (914mm)	42" (1066mm)	48" (1219mm)
6300	1 1/2" CON.	6312	6316	6318	6324	6330	6332	6336	6342	6348
6400	1 1/4" CON.	6412	6416	6418	6424	6430	6432	6436	6442	—

1 1/2"=38mm, 1 1/4"=32mm

Dimensions shown are flange center to center on straight bars and center flange to center bar on angle bars.

MATERIALS: 6300 (1 1/2" O.D.) and 6400 (1 1/4" O.D.) tubing is of .049 (18 gauge) type 304 stainless steel with #4 satin finish. Flanges are of 10 gauge type 304 stainless steel with #4 satin finish. Flanges are heliarc welded to tubing.

OPTIONS: Tubing is 1 1/4" .045 wall thickness. Flange are 10 gauge x 3" diameter.

INSTALLATION: Install grab bar with 3- #10 x 2" ovalhead stainless steel screws provided for each end wall flange and 2- #10 x 2" ovalhead stainless steel screws provided for each center flange. Wood blocking is preferable behind all wall. If wood blocking is not available, the following optional fasteners are suggested:

- Tile/Masonry - Plastic or lead anchors
- Plaster/Drywall - Toggle bolts

Note: 6300 and 6400 series grab bars are engineered to meet 1000 lb. pull (500 lb. pull for 6400PB series) when properly installed. 6300 and 6400 series meet ADA, ANSI, HUD and Federal Specifications.

SPECIFICATION: Surface mounted grab bar shall be model _____ (fill in model number) by Liberty Hardware Manufacturing Corporation.