

# Cabinet Hardware Installation Instructions

## Instructions d'installation pour quincaillerie d'armoire

## Instrucciones de instalación de la ferretería del gabinete

### Before You Begin

- Read the installation instructions completely before starting.
- Take care not to scratch your cabinets and countertops while working with tools.

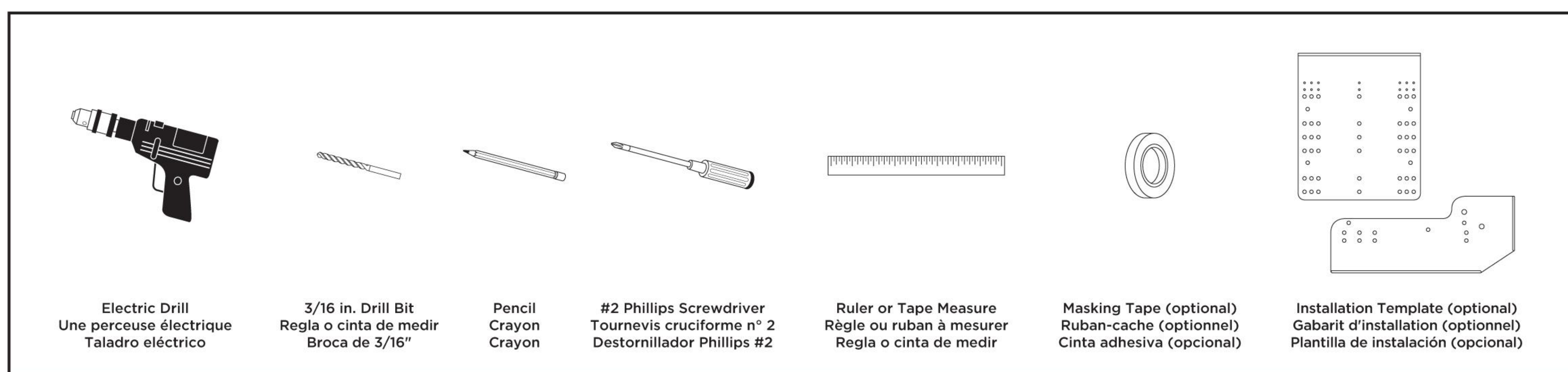
### Avant de commencer

- Lisez toutes les instructions d'installation avant de commencer.
- Faites attention à ne pas rayer vos armoires et comptoirs lorsque vous travaillez avec des outils.

### Antes de comenzar

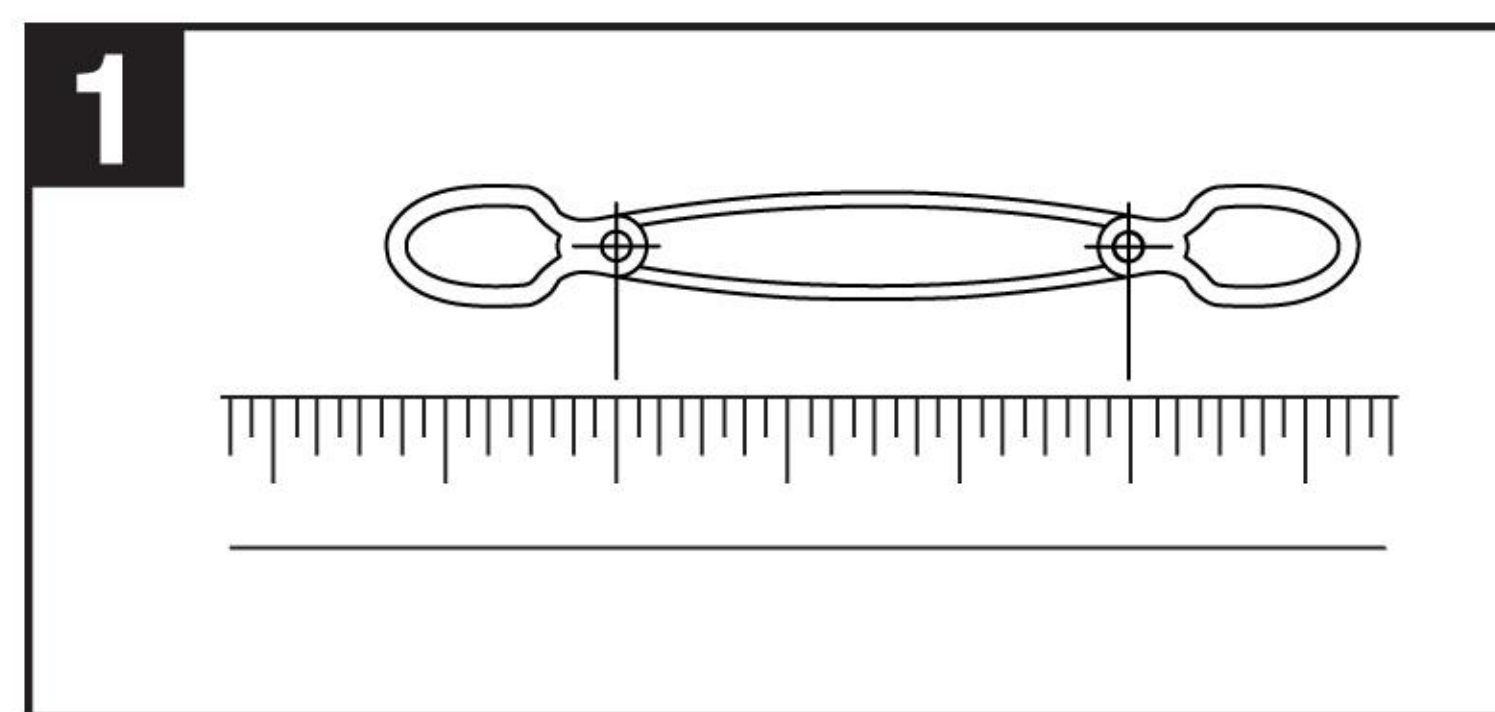
- Lea completamente las instrucciones de instalación antes de comenzar.
- Tenga cuidado de no rayar los gabinetes y los mostradores mientras trabaja con herramientas.

### Recommended Tools / Outils recommandés / Outils recommandés



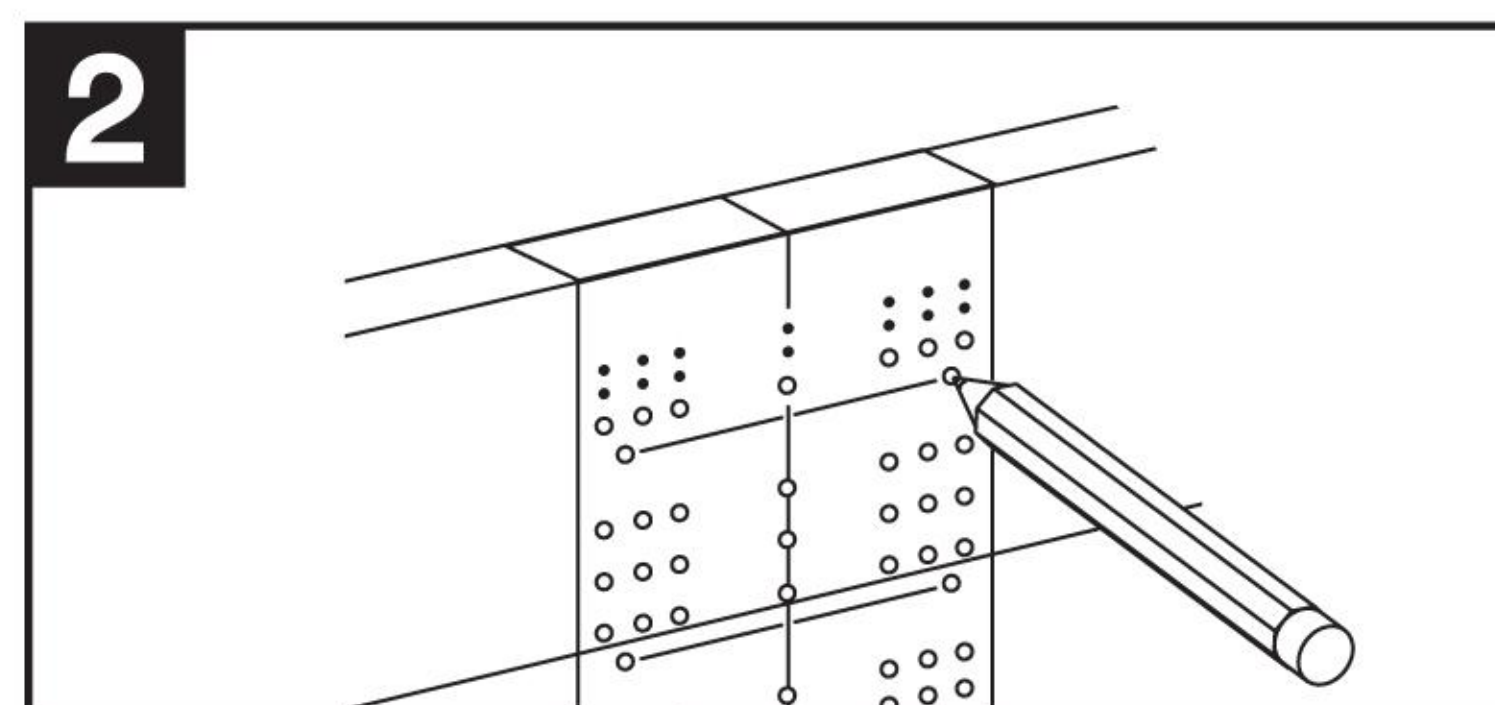
### Step 1

- Decide where you would like to install your knobs and/or pulls. Common locations are illustrated below.
- For pulls, measure between the holes on the back to determine the correct center to center hole spacing. 3" is the most common spacing but there are numerous options to choose from.



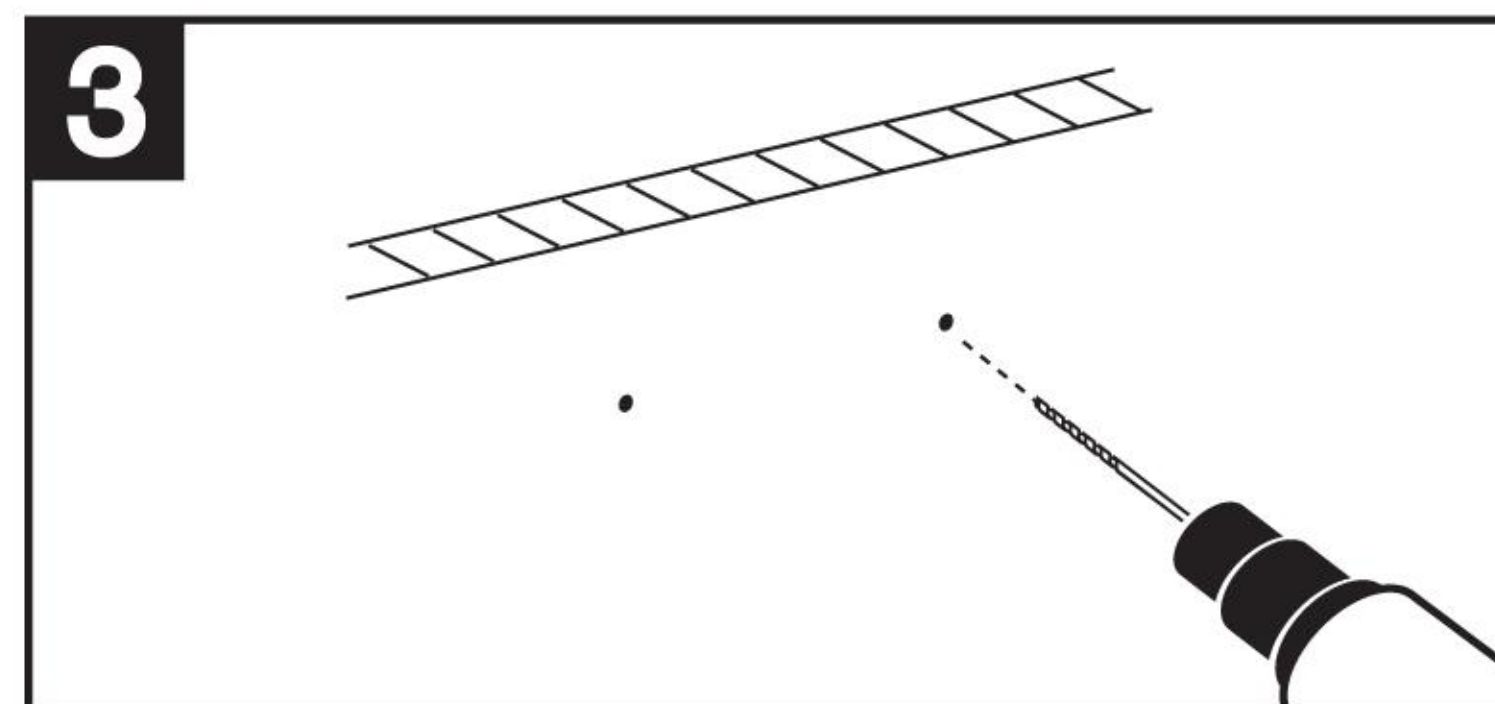
### Step 2

- To prevent damage while drilling, place masking tape in the approximate hole locations on the cabinet or drawer fronts prior to measuring.
- Carefully measure and mark each hole location using a ruler or tape measure and pencil.
- For drawers, it may be helpful to measure down the same distance on either side and lightly scribe a horizontal line with a pencil. Be sure to check for level.
- Alternately, a reusable cabinet hardware installation template can be purchased and used to ensure accurate placement. (Liberty AN0191C-G-Q1)



### Step 3

- Carefully drill through the drawer and/or door fronts. Be sure to go slow and use minimal pressure to reduce splintering on the backside of the surface.



### Step 4

- Install the new cabinet hardware using a screwdriver and the fasteners provided.
- Be careful not to over tighten the screws.

