

WCES6428F

1.7 / 4.7 cu. ft. STUDIO Smart wi-fi Enabled
Combination Double Wall Oven

7" Color LCD Touch Display

Soft Close Door

Air Fry Setting

InstaView® Window (WideView)

Steam Sous Vide

Optional Flush Installation

EasyClean®

LG Exclusive 4-Mode True Convection

ThinQ® Technology



SUMMARY		LOWER OVEN FEATURES		SMART FEATURES	
Type	Combi Wall Oven	Capacity (cu.ft)	4.7	ThinQ® (Wi-Fi Enabled)	Yes
Total Oven Capacity (cu. ft.)	6.4 (Upper & Lower)	EasyClean®	Yes	Check & Control	Yes
Color	Stainless Steel	EasyClean(SpeedClean) time	10 mins	Voice Control	Yes
UPPER OVEN FEATURES		Self Clean	Yes	Smart Recipe (3rd Party Recipe App)	Innit, Sidechef
Capacity (cu.ft)	1.7	Variable cleaning time	Yes	SmartDiagnosis™	Yes
Interior(Cavity) - Upper MWO / Lower Oven	Stainless / Enamel Coating	Steam Assist	Yes	DIMENSIONS/CLEARANCES/WEIGHTS	
Microwave Power output	950W	Steam element	1,960 watts	Product Weight (lbs)	204
Microwave mode power consumption	1650W	Convection Type	True Convection	Shipping Weight (lbs)	239
Convection Bake mode power consumption	1600W	Convection element	2,000 watts	Product (W x H x D) : Including Door	29 3/4" x 43 13/16" x 24 15/32"
Broil mode power consumption	1300W	Convection Fan	Single Speed	Product (W x H x D) : Including Handle	29 3/4" x 43 13/16" x 26 29/32"
Convection Element (W)	1500W (Sheath heater)	Convection conversion	Yes	Product (W x H x D) : Opening Door	29 3/4" x 43 13/16" x 45 21/32"
Broil Upper Element (W)	1200W (500W Infrared Heating™ + 700W Miraclon heater)	Bake element	2,500 watts	Cut-out (W x H x D) : Standard	Min. 28 1/2" x 43 7/16" x 24" Max. 28 5/8" x 43 1/2" x 24"
Bake Element (W)	375W	Bake element type	Hidden (8 pass)	Cut-out (W x H x D) : Flush	30" x 44" x 25"
Microwave	Yes	Broil element	2,500 watts inner / 1,500 watts outer	Overall Depth (in) - including handle	TBD
Convection Bake	Yes	Broil element pass	8	Oven Interior Dimensions (Upper) (in) (W x H x D)	20-8/11"(W) x 8-9/25"(H) x 17-5/13"(D)
Broil	Yes	Variable broil	Yes (Full,Center / High,Med,Low)	Oven Interior Dimensions (Lower) (in) (W x H x D)	24-1/2"(W) x 17-5/8"(H) x 18-7/8"(D)
Speed cook	Yes	Oven Cooking Modes	Air Fry / Warm / Proof / Steam Cook(Steam Bake, Sous-Vide) / Auto Cook / Favorite / Clean(Self Clean, Easy Clean, Steam Maintenance)	Carton Dimensions (in) (W x H x D)	33" x 50" x 30"
- # of Defrost (4 Menu)	Meat / Poultry / Fish / Bread Beverage / Casserole / Chicken / Pasta / Pizza / Plate of food / Rice / Soup / Vegetable	No of Auto cook	Upper (28EA), Lower (45EA) except miscellaneous	POWER/RATINGS	
- # of Sensor cook (9Menu)	Bacon(regular sliced) / Bagels(frozen) / Baked potatoes(7-9oz/ea) / Brownie / Cod fillets(1 lb) / Corn dog(frozen) / Fresh vegetable / Frozen chicken wings / Frozen fries / Frozen chicken nuggets / Frozen pizza(regular crust) / Frozen soft pretzels / Frozen vegetable / Garlic bread(sliced, frozen) / Hamburger(1/2" thick) / Lamb chops(1/2" thick, 6-7oz) / Meat loaf(9" X 5") / Nachos / Oatmeal / Pork chops(1/2" thick, 6-7oz) / Quinoa / Ribeye steak(1" thick 14-15oz) / Rice / Salmon steak(1" thick) / Sausage / Sirloin steak(1" thick, 18-21oz) / Tenderloin / Vegetable-canned	No of Favorite	40EA	Max. Amp load	40A
- # of Auto cook	Butter / Cream Cheese / Frosting / Ice Cream	No of rack position	5	Required Power Supply	60 Hz / 240 V, 208 V
- # of Soften (4Menu)	Butter / Caramel / Cheese / Chocolate / Marshmallow	No of light	2 (Halogen Lamp)	Rating	7.8kW
- # of Melt (5Menu)		Proof	Yes	Requirements	60 Hz / 240 V, 208 V
		Drying / Dehydrating	Yes	ACCESSORIES	
		Temp probe	Yes	Glass Tray(Upper)	1EA
		12 hrs. shut-off	Yes	Metal Tray(Upper)	1EA
		Variable warm	Yes (High,Med,Low)	Rack(Upper)	1EA
		CONTROL		Broiler pan	1EA
		Oven Control Type	Glass Touch	Griddle(Lower)	1EA
		Display	7" TFT LCD	Meat probe	1EA
		Language	English / Spanish / French	Heavy Duty Rack	2EA
		Clock	12 hr or 24 hr (option)	Gliding Rack	1EA
		Kitchen Timer	Yes	Air Fry Rack(Lower)	1EA
		Timed Cook	Yes	LIMITED WARRANTY	
		Temperature Unit of Measure	Fahrenheit / Celsius	Parts & Labor	2 Years
		Cooking Complete Reminder	Beeper (Hi, Lo, Off)	UPC CODES	
		Certified Sabbath mode	Yes	WCES6428F (Printproof™ Stainless Steel)	195174024133
		APPEARANCE			
		All Available Colors	Stainless Steel		
		Handle	Stainless Steel		
		Printproof™ Finish	Yes		
		Oven Door Feature	WideView™ Window		
		InstaView®	Yes (Lower Only)		

WCES6428F

1.7 / 4.7 cu. ft. STUDIO Smart wi-fi Enabled
Combination Double Wall Oven

QUICK INSTALL & CLEARANCES

For full installation directions/clearances please refer to the corresponding User Manual and Installation Guide.

PROPER LOCATION AND DIMENSIONS

Measure the current cutout dimensions and compare them to the cutout dimensions shown below. Little or no cabinet work may be necessary.

- The cabinet base platform must be able to support 202 lbs (92 kg) for this appliance. If the cabinet does not have a solid bottom, two braces or runners must be installed level with the bottom of the cutout to support the weight of the appliance. Make sure the base is level and the front of the cabinet is square. If the cabinet base is not level, the oven racks will tend to slide out when opening the door.
- Make sure the cabinets and wall coverings around the oven can withstand the temperature (up to 194 °F (90 °C)) generated by the oven. Discoloration, delamination or melting may occur.
- DO NOT remove spacers ③ on the side walls of the built-in oven. These spacers center the oven in the space provided. The oven must be centered to prevent excess heat buildup that may result in heat damage or fire.
- Kitchen cabinets in contact with the oven must be heat resistant up to 194 °F (90 °C), and fronts of nearby units up to at least 158 °F (70 °C).
- The information in this manual should be followed exactly. Failure to do so could result in fire or electrical shock, causing property damage, personal injury or death.
- DO NOT put any weight on the oven door. Never allow anyone to climb, sit, stand or hang on the oven door. The oven could be tipped and injury might result from contact with hot food or the oven itself.
- DO NOT block the oven air exhaust located at the bottom of the oven. Blocking the exhaust may cause cabinet damage and product malfunction.

NOTE

- If marks, blemishes or the cutout opening are visible above the installed appliance, it may be necessary to add wood shims under the runners and front trim until the marks or opening are covered.
- If the cabinet does not have a front frame and the sides are less than 3/4" (1.9 cm) thick, shim both sides equally to establish the cutout width.
- The junction box ① must be flush with the conduit opening ② of the cabinet as shown.
- Allow at least a 23" clearance for the door depth when it is open.
- Do not remove the gliding racks from the base packing. Gliding racks are attached separately to the top and bottom of the oven.

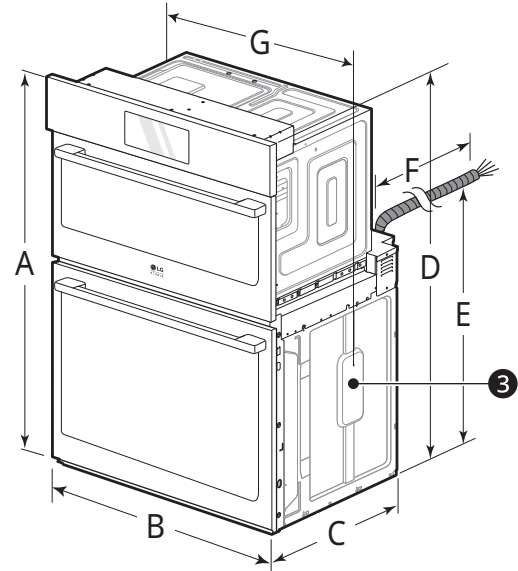
POWER / RATINGS

Max. Amp load	40A
Required Power Supply	60 Hz / 240 V, 208 V
Rating	7.8kW
Requirements	60 Hz / 240 V, 208 V

DIMENSIONS / CLEARANCES

A Height	43 13/16"
B Width	29 3/4"
C Depth	23 3/8"
D Height (standard installation)	43 3/16"
E Height (power cord)	25 7/8"
F Length (power cord)	60"
G Width (standard installation)	27 3/8"

③ Cleat (Spacer)



DIMENSIONS / CLEARANCES

H Cabinet Width	30"
I Overlap of oven	1"
J Cutout width	28 1/2" Min. 28 5/8" Max.
K Depth of open door	23"
L Cutout location from floor	12"
M Cutout depth	24" Min..
N Cutout height	43 7/16" Min. 43 1/2" Max.
O Height of conduit opening from floor of cutout	39 27/32"
P Distance of conduit opening from side of cabinet	5"

① Junction box

② Conduit opening

