

## LSSE3027ST / LSSE3030BD

6.3 cu. ft. Electric Slide-in Range



ProBake Convection®

EasyClean®

6.3 cu. ft. Large Capacity

0.8 cu. ft. Warming Drawer

3200W Power Burner

Front-Tilt Control Display

Glass Touch Controls

2 Year Limited Warranty

CAPACITY	
Oven Capacity (cu. ft.)	6.3
Warming Drawer Capacity (cu. ft.)	0.8
COOKTOP	
Type	Radiant
No of Radiant Elements	5 (1 dual, 1 triple)
Element Size/Wattage - Left Rear	6" - 1,200W
Element Size/Wattage - Right Rear	6" - 1,200W
Element Size/Wattage - Left Front	9" 6" - 3,200W / 1,400W
Element Size/Wattage - Right Front	12" 9" 6" - 3,000W / 2,200W / 1,100W
Center (Warming Zone)	7" - 100W
Cooktop Finish	Black Ceramic Glass
Hot Surface LED Indicator	Yes
OVEN FEATURES	
Broil Element (Watt)	Inner: 1,600W Outer: 2,400W
Convection (Watt)	2,500W
Convection Fan	Dual Speed (High/Low)
Convection System/Mode/Cooking System	ProBake Convection®
Oven Cooking Modes	Bake, Broil, Speed Broil, Convection Bake, Convection Roast, Speed Roast, Warm, Proof
Oven Control Features	Glass Touch
EasyClean®	Yes
Self Clean	Yes
GoCook Smart Oven Light	Yes
No. of Rack Positions	7
Door Lock	Yes
Automatic Safety Shut-Down	After 12 hours
DRAWER FEATURES	
Type	Warming
Levels	3
Time Control	Yes
CONTROL	
Cooktop Control Type	Front Tilt-Control Knobs
Oven Control Type	Glass Touch
Display	VFD (White/Red)
Language	English
Clock	12 hr or 24 hr (option)
Kitchen Timer	Yes
Timed Cook	Yes
Temperature Unit of Measure	°F or °C
Cooking Complete Reminder Volume	1. High 2. Low 3. Mute
Sabbath Mode	Yes

APPEARANCE	
All Available Colors	Stainless Steel, Black Stainless Steel
Handle/Knobs	LSSE3027ST : Stainless Steel Finish (Aluminum) LSSE3030BD : Black Stainless Steel Finish (Aluminum)
Knobs	Front Tilt-Control Knobs
Scratch Resistant	Yes (Black Stainless Only)
PrintProof Finish™	Yes (Black Stainless Only)
SMARTTHINQ®	
Wi-Fi Connectivity	Yes
SmartThinQ®	Yes
SmartThinQ® with Innot and SideChef	Yes
DIMENSIONS / CLEARANCES / WEIGHT	
Shipping Weight (lbs)	216.1
Product Weight (lbs)	165.6
Cabinet Width (in)	30"
Overall Depth (in) - including handle	28 15/16"
Overall Height (in)	37 1/10"
Overall Width (in)	29 15/16"
Oven Interior Dimensions (in) (W x H x D)	24 13/16" x 21 5/16" x 19 3/4"
Height to Cooking Surface (in)	36"
Carton Dimensions (in) (W x H x D)	32 1/2" x 45 1/2" x 30 1/2"
POWER/RATINGS	
Amp Rating at 208V	50.5A
Amp Rating at 240V	56.3A
KW Rating at 208V	10.5kW
KW Rating at 240V	13.5kW
ACCESSORIES	
Gliding Rack	1
Standard Rack	2
Spray Bottle	Yes
Scouring Pad	Yes
Cooktop Cream/ Cleaner	1
LIMITED WARRANTY	
Parts & Labor	2 Year Parts & Labor
UPC CODES	
LSSE3027ST (Stainless Steel)	048231340908
LSSE3030BD (Black Stainless Steel)	048231340915

# LSSE3027ST / LSSE3030BD

6.3 cu. ft. Electric Slide-in Range

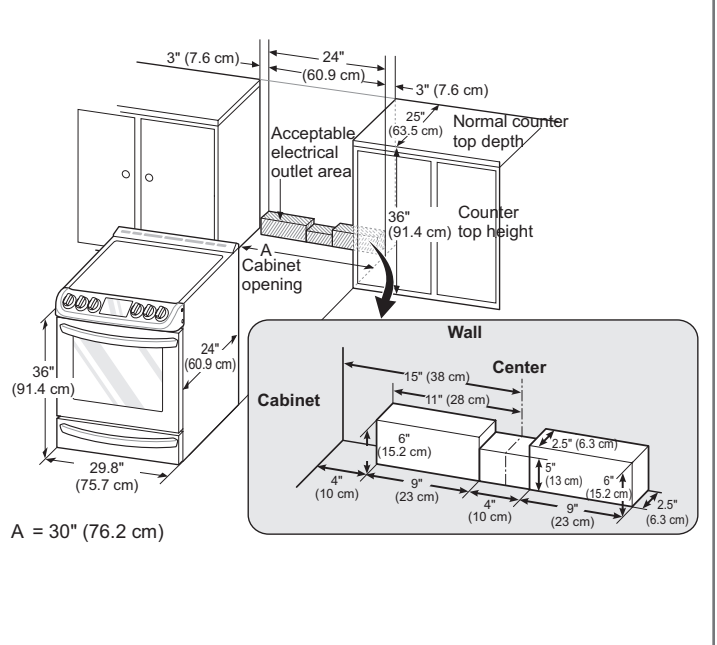


## QUICK INSTALL & CLEARANCES

**For full installation directions/clearances please refer to the corresponding User Manual and Installation Guide.**

DIMENSIONS/CLEARANCES/WEIGHT	
Cabinet Width (in)	30"
Overall Depth (in) - including handle	28 15/16"
Overall Height (in)	37 1/10"
Overall Width (in)	29 15/16"
Oven Interior Dimensions (in) (W x H x D)	24 13/16" x 21 5/16" x 19 3/4"
Height to Cooking Surface (in)	36"
Carton Dimensions (in) (W x H x D)	32 1/2" x 45 1/2" x 30 1/2"
POWER/RATINGS	
Amp Rating at 208V	50.5A
Amp Rating at 240V	56.3A
KW Rating at 208V	10.5kW
KW Rating at 240V	13.5kW

### DIMENSIONS AND CLEARANCES

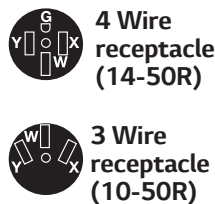


### ELECTRICAL REQUIREMENTS

- **This appliance must be installed and grounded on a branch circuit by a qualified technician in accordance with the National Electrical code ANSI/NFPA NO. 70 - latest edition.**
- All wiring should conform to Local and NEC codes. This range requires a single-phase, 3 wire, A.C 120/208 V or 120/240 V 60 Hz electrical system. Use only a 3-conductor or a 4-conductor UL - listed range cord with closed-loop terminals, open-end spade lugs with upturned ends or similar termination. Do not install the power cord without a strain relief.
- A range cord rated at 40 amps with 120/240 minimum volt range is required. If a 50 amp range cord is used, it should be marked for use with 13/8" diameter connection openings. This appliance may be connected by means of a conduit or power cord. If a conduit is being used, check the Owners Manual for 3 wire conduit connections or 4 wire conduit connections.

#### Specified power-supply-cord kit rating

Range rating, watts		Specified rating of power supply-cord kit, amperes	Diameter (inches) of Range connection Opening	
120/240 volts 3-wire	120/208 volts 3-wire		Power cord	Conduit
8,750 - 16,500	7,801 - 12,500	40 or 50A	1 3/8"	1 1/8"
16,501 - 22,500	12,501 - 18,500		1 3/4"	1 3/8"



### WARNING

- Allow 2 to 3 ft (61.0 cm to 91.4 cm) of slack in the line so that the range can be moved if servicing is ever necessary.
- The power supply cord and plug should not be modified. If it will not fit the outlet, have a proper outlet installed by a qualified electrician.
- Using an extension cord to connect the power is prohibited. Connect the power cord and plug directly.
- Electrical ground is required on this appliance.
- Make sure that the power cord is not pinched by the range or heavy objects. Failure to do so can result in serious burns or electrical shock.

### MINIMUM DIMENSIONS

- \* 30" (76.2 cm) minimum clearance between the top of the cooking surface and the bottom of an unprotected wood or metal cabinet; or 24" (60.9 cm) minimum when bottom of wood or metal cabinet is protected by not less than 1/4" (6.4 cm) flame retardant millboard covered with not less than no. 28 MSG sheet steel, 0.015" (0.381 mm) stainless steel, 0.024" (0.610 mm) aluminum or 0.020" (0.508mm) copper.
- \*\* 15" (38.1 cm) minimum between countertop and adjacent cabinet bottom.

