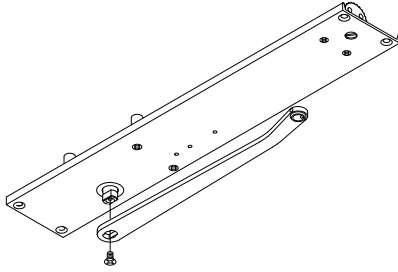


# 2030 SERIES

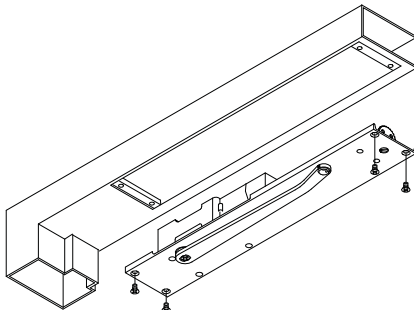
## INSTALLATION INSTRUCTIONS

15 ft-lbs  
= 21 N-m  
☐ MAXIMUM  
OPENING TORQUE

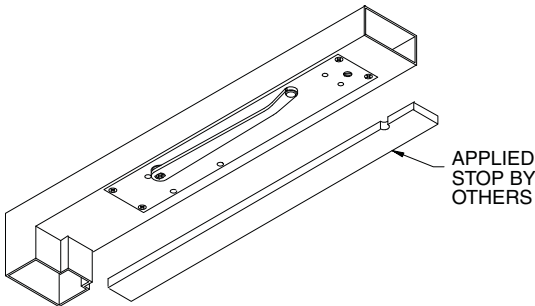
- Hand of door and closer must be the same. RH or LH will be stamped on mounting plate. See proper template for your application.



- Attach arm to closer, as shown above. The bend in arm will always point towards door.



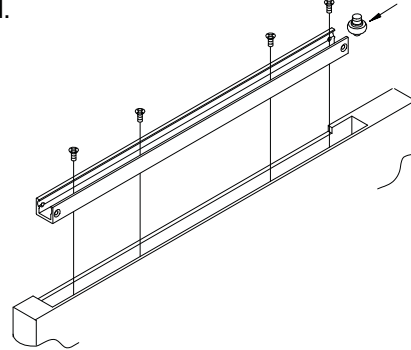
- Install closer including arm in prepped frame with mounting screws provided. Be sure mounting plate is flush with soffit.



- After closer is mounted in door jamb, attach applied stop to head frame, as shown above. Stop section must have access hole to allow for door closer adjustment.

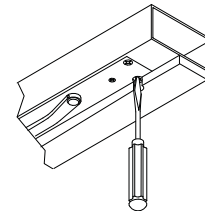
APPLIED  
STOP BY  
OTHERS

- Track mortise in top of door must match proper template. Place roller in track as shown. Mount track in door with holes for hold open clip toward hinge edge. Fasten with screws provided.



- Open door to approximately 45°. Pull arm over top of door. Align hole in end of arm with roller stud. Fit closer arm completely onto roller stud and tighten arm set screw securely.

- Adjust **closing power** only if more power is needed. Closer is shipped with minimum closing power pre-set. To increase closing power turn spring adjusting screw clockwise. Maximum adjustment 36 turns.

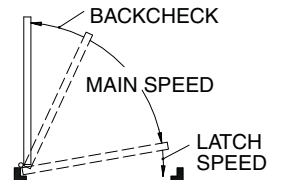
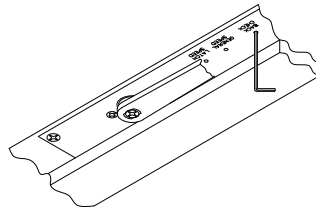


- The 2030 series closer has been regulated prior to shipment. If adjustments are necessary, carefully follow instructions. **DO NOT REMOVE COVER PLATE TO MAKE ADJUSTMENTS.**

**CLOSING SPEED:** See Closer Control Diagram below. Regulating screw locations are shown in illustration at left and also on door closer label. To adjust Main Speed, turn regulating screw clockwise to decrease or counter-clockwise to increase. To adjust Latch Speed, turn regulating screw clockwise to decrease or counter-clockwise to increase.

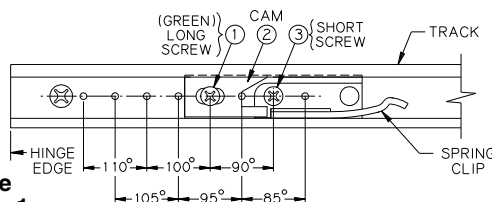
**BACKCHECK:** This control hydraulically dampens the opening speed of doors. Use enough backcheck to sufficiently slow the doors opening speed. To increase resistance, turn regulating screw clockwise.

**! - DO NOT USE ABRUPT BACKCHECK- NOR EXPECT DOOR CLOSER TO ACT AS A DOOR STOP!**



### HOLD OPEN INFORMATION

To install and adjust hold open option, see Fig. 1 and follow these directions: Tip hold open clip into track. Locate at desired hold open position and fasten with screw 3. Tip cam into track & locate as shown. fasten with screw 1. Push door into hold open position and check for proper operation. To **increase** holding power, loosen screw 1 and slide cam toward latch edge of door. To **decrease** holding power, slide cam toward hinge edge. Re-tighten screw 1.

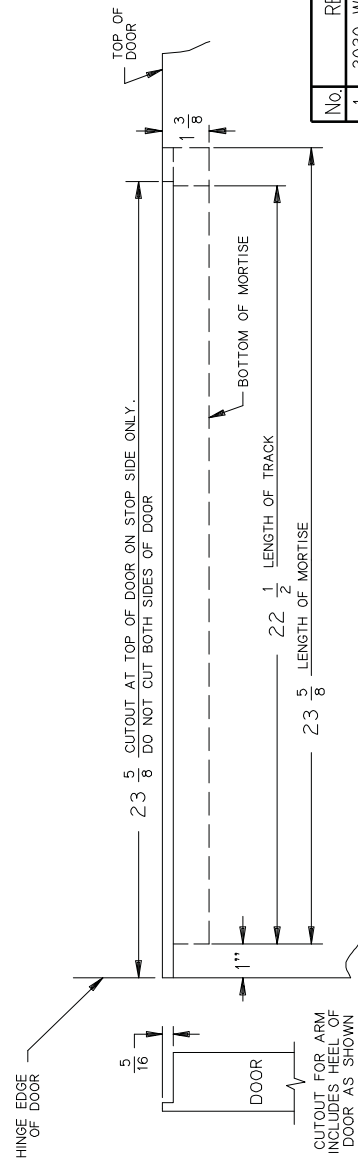
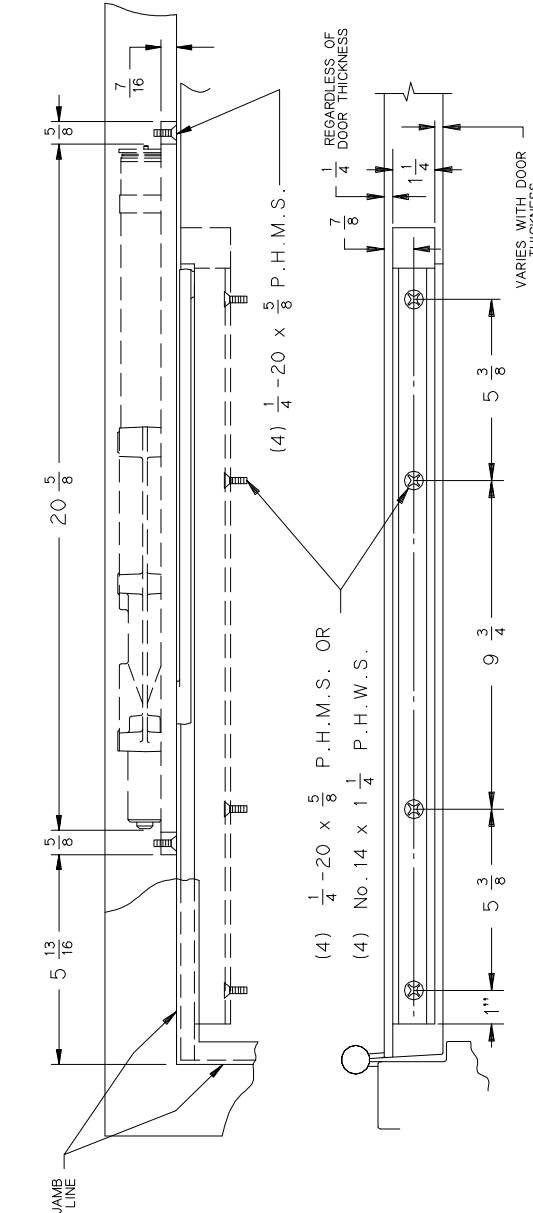
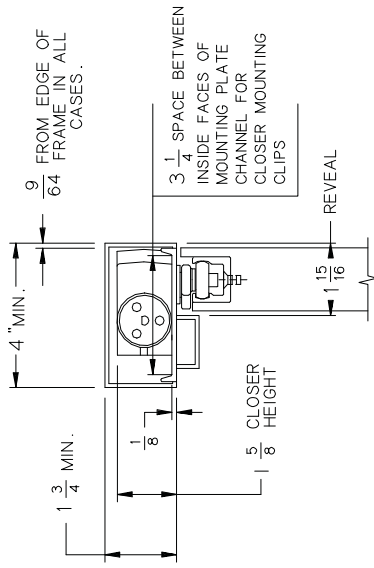
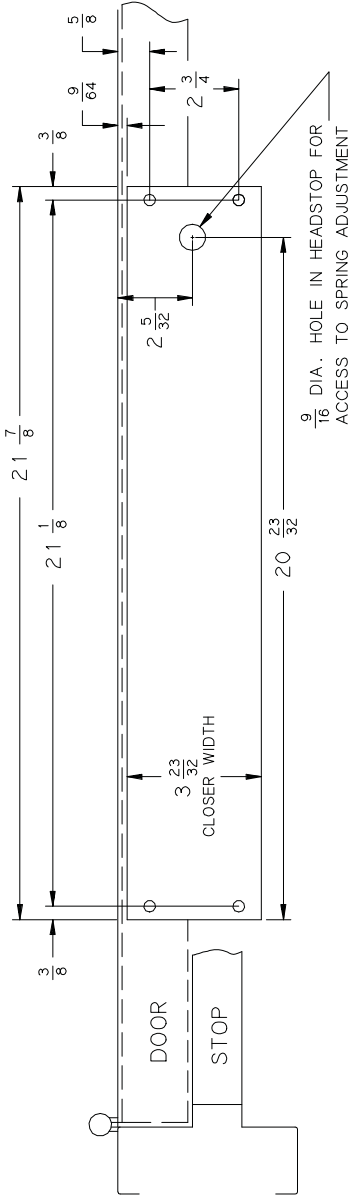


**CAUTION**  
IMPROPER INSTALLATION OR  
REGULATION MAY RESULT IN  
PERSONAL INJURY OR  
PROPERTY DAMAGE. FOLLOW ALL  
INSTRUCTIONS CAREFULLY. FOR  
QUESTIONS, CALL LCN AT  
800 - 526 - 2400

2031 } NON HOLD OPEN (90° - 180°)  
 2033 } H 90 (85° - 110°)  
 2034 } MAX. OPENING 180°  
 2035 }

AUXILIARY STOP RECOMMENDED

AN ALUMINUM COMBINATION MOUNTING AND FINISH PLATE IS INCLUDED AS PART OF THE CLOSER. AN APPLIED REMOVABLE HEADSTOP MUST BE USED AND MOUNTED BETWEEN SIDE STOPS FOR REMOVABILITY. MOUNTING SCREW HOLES FOR REMOVABLE HEADSTOP MUST SPAN CLOSER MOUNTING/FINISH PLATE



inch	1/4	3/8	1/2	5/8	3/4	7/8	1	1 1/8	1 1/4	1 1/2	1 5/8	1 3/4			
mm	3	4	6	8	10	11	13	14	16	22	25	32	35	41	44
inch	1 1/8	1 1/4	1 1/2	1 5/8	2	2 1/4	2 1/2	2 3/4	3	3 1/4	3 1/2	3 3/4	4	4 1/4	4 1/2
mm	49	55	70	79	94	102	137	148	248	524	526	537	556	572	600

NOTES-

1. FOR 180° OPENINGS, MAX. ALLOWABLE BUTT SIZE IS 5" x 5".
2. MINIMUM STOP THICKNESS 1 1/2".
3. 1/8" DOOR TO SOFFIT CLEARANCE REQUIRED.
4. REINFORCING PER ANSI/SDI-100 RECOMMENDED FOR HOLLOW METAL DOORS & FRAMES.

LEFT HAND DOOR AND CLOSER SHOWN, RIGHT HAND OPPOSITE

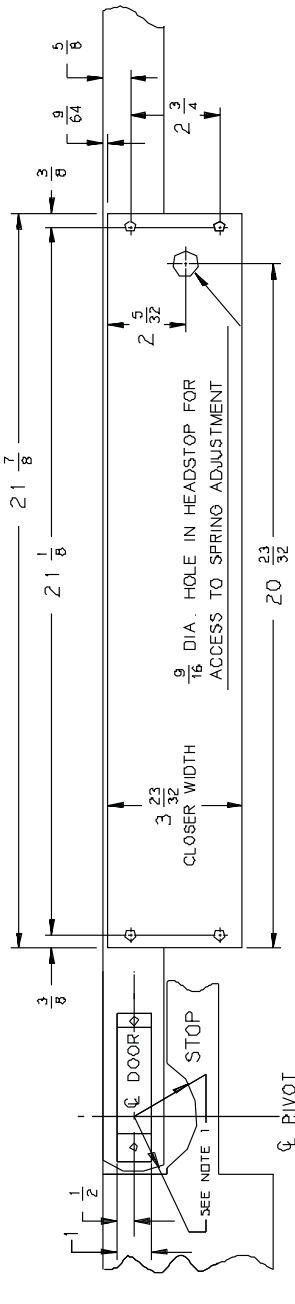
No.	REVISION	BY	DATE	LCN®	DRAWN BY	DATE
	1	2030 WAS 2030-101	RJS			
2	CHANGED LOGO	RJS	7/80	OVERHEAD CONCEALED CLOSER WITH CONCEALED ARM & TRACK	DO NOT SCALE	
3	CHANGE TO UNIV. TRACK	DRM	10/89			
4	TRACK HOLES RELOCATED	DRM	6/90			
5	CAD CONV. / ADDED SIZE	1 CTB	1/94			

2030 INST.

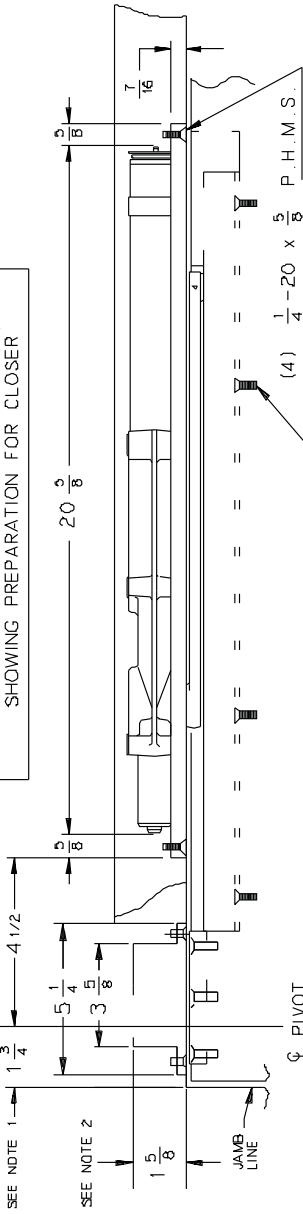
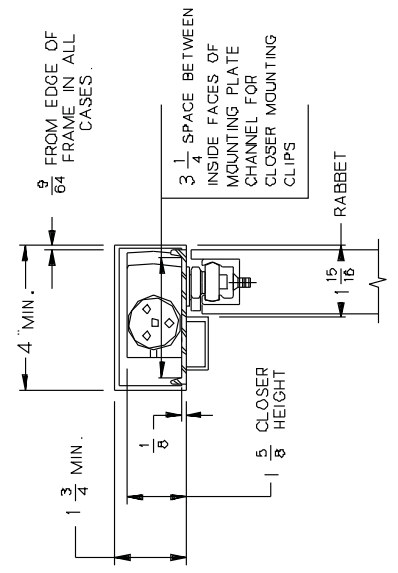
2031 CP) NON HOLD OPEN (UP TO 120°)  
 2032 CP) H-90 (80° TO 100°)  
 2033 CP) H-90 (80° TO 100°)  
 2034 CP) MAX. OPENING 120°  
 2035 CP)

AUXILIARY STOP RECOMMENDED  
 LEFT HAND DOOR AND CLOSER SHOWN, RIGHT HAND OPPOSITE 6/96

AN ALUMINUM COMBINATION MOUNTING AND FINISH PLATE IS INCLUDED AS PART OF THE CLOSER. AN APPLIED REMOVABLE HEADSTOP MUST BE USED AND MOUNTED BETWEEN SIDE STOPS FOR REMOVABILITY. MOUNTING SCREW HOLES FOR REMOVABLE HEADSTOP MUST SPAN CLOSER MOUNTING/FINISH PLATE



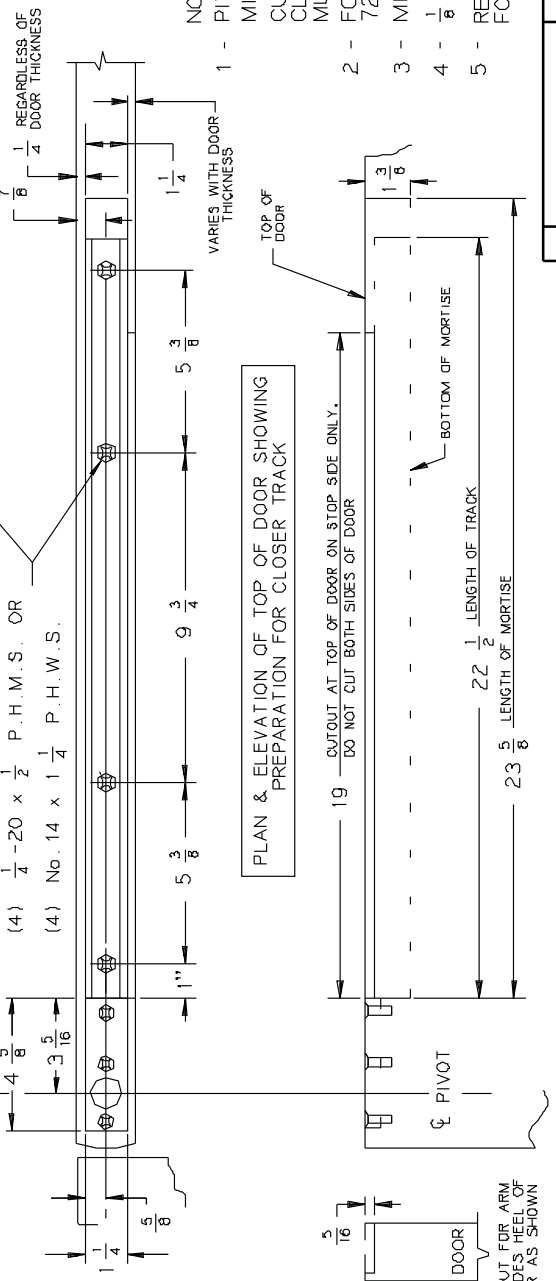
PLAN & ELEVATION OF OVERHEAD FRAME SHOWING PREPARATION FOR CLOSER



NOTES :

- 1 - PIVOT CENTER MAY BE VARIED AS DESIRED. MINIMUM ALLOWABLE IS 1 3/4". AS SHOWN. CUTOUT IN HEADSTOP & VERTICAL JAMB TO CLEAR HEEL OF DOOR. HEEL OF DOOR RADIUS MUST NOT EXCEED 1/2 OF PIVOT TO JAMB DISTANCE
- 2 - FOR PIVOT INSTALLATION DETAILS. SEE 7250 SERIES PIVOT TEMPLATE.
- 3 - MINIMUM STOP THICKNESS 1/2"
- 4 - 1" DOOR TO SOFFIT CLEARANCE REQUIRED.
- 5 - REINFORCING PER ANSI/SOI-100 RECOMMENDED FOR HOLLOW METAL DOOR AND FRAMES.

PLAN & ELEVATION OF TOP OF DOOR SHOWING PREPARATION FOR CLOSER TRACK



CUTOUT FOR ARM INCLUDES HEEL OF DOOR AS SHOWN

No.	REVISION	BY	DATE
1	CAD CONVERSION	CTB	8/93
2	TEMPLATE UPDATE	JEJ	6/96
3	TEMPLATE UPDATE	AMM	2/98

inch	3/8	7/16	1/2	5/8	3/4	1	1 1/4	1 1/2	1 3/4	1 5/8	1 3/4	1 15/16	2 1/8	2 1/2
mm	9.5	11.8	12.7	15.9	19.0	25.4	31.8	38.1	44.5	49.5	44.5	49.5	51.8	63.5
inch	2 3/4	3 1/8	3 3/8	4	4 1/4	4 3/4	5 1/4	5 3/4	6 1/8	6 1/4	6 3/8	6 3/4	7 1/8	7 1/2
mm	70	79	84	94	102	114	117	133	137	148	156	162	181	190
inch	23 3/8													
mm	600													

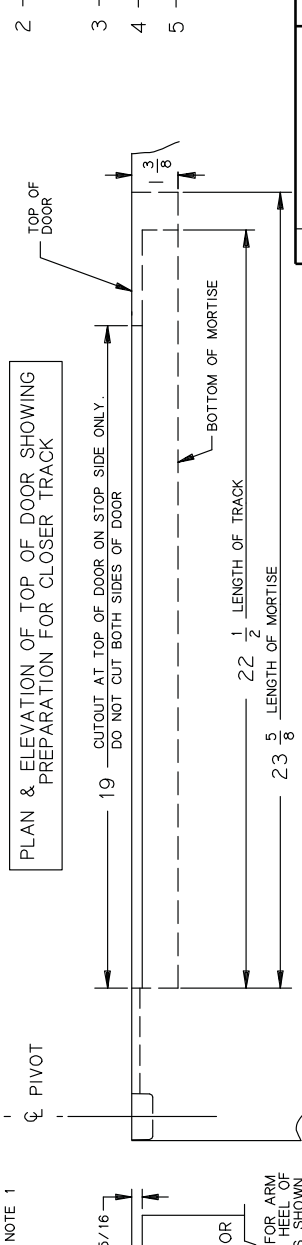
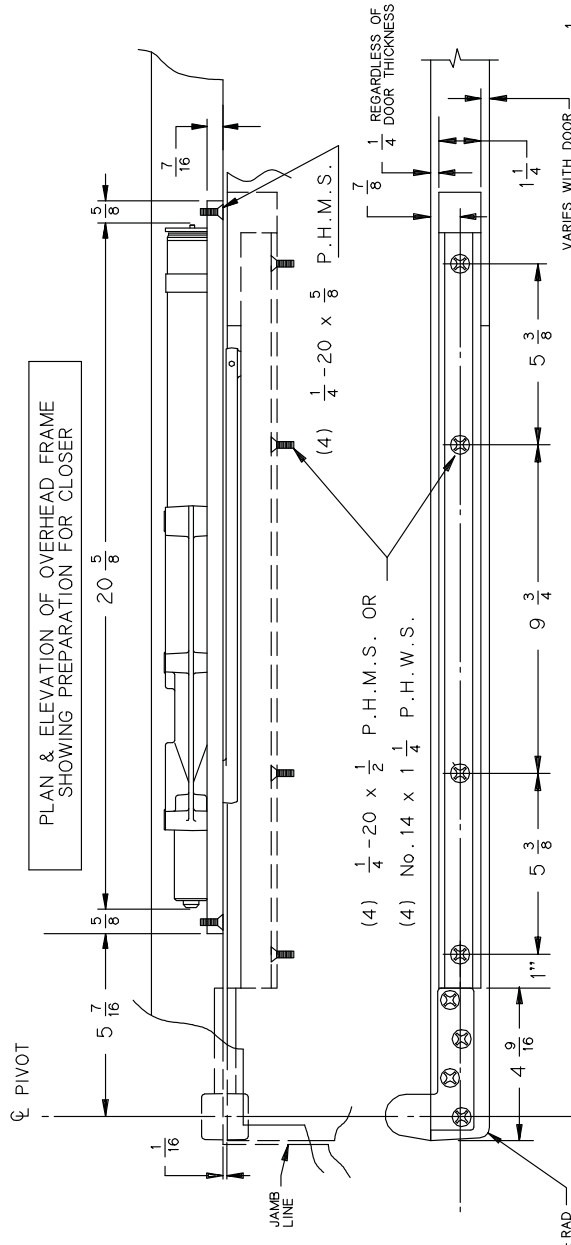
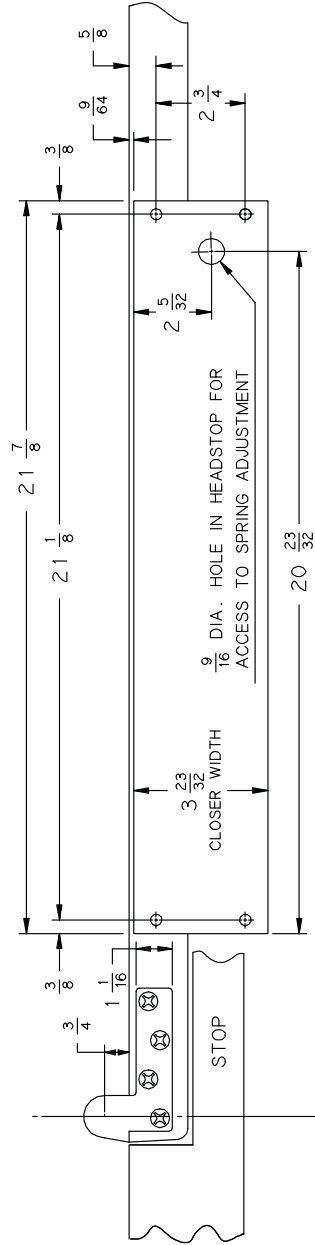
APP BY JEJ 6/96  
 DD NOT SCALE  
 OVERHEAD CONCEALED CLOSER, ARM & TRACK WITH CENTER PIVOTS

**LCN**<sup>®</sup>  
 2030-CP

2031 OP) NON HOLD OPEN (UP TO 115°)  
 2032 OP) H-90 (85°)  
 2033 OP) H-90 (85°)  
 2034 OP) MAX. OPENING 115°  
 2035 OP)

AUXILIARY STOP RECOMMENDED  
 LEFT HAND DOOR AND CLOSER SHOWN, RIGHT HAND OPPOSITE 6/96

AN ALUMINUM COMBINATION MOUNTING AND FINISH PLATE IS INCLUDED AS PART OF THE CLOSER. AN APPLIED REMOVABLE HEADSTOP MUST BE USED AND MOUNTED BETWEEN SIDE STOPS FOR REMOVABILITY. MOUNTING SCREW HOLES FOR REMOVABLE HEADSTOP MUST SPAN CLOSER MOUNTING/FINISH PLATE



- NOTES :
- 1 - BEVEL HEEL EDGE OF DOOR  $\frac{1}{8}$ " IN 2" .
  - 2 - FOR PIVOT INSTALLATION DETAILS, SEE PIVOT TEMPLATE. FOR USE WITH LCN PIVOT SETS: 7212, 7215, 7222, 7226 AND 7227 .
  - 3 - MINIMUM STOP THICKNESS  $\frac{1}{2}$ " .
  - 4 -  $\frac{1}{8}$ " DOOR TO STOP CLEARANCE REQUIRED .
  - 5 - REINFORCING PER ANSI/SDI-100 RECOMMENDED FOR HOLLOW METAL DOOR AND FRAMES .

No.	REVISION	BY	DATE
1	CAD CONVERSION	CTB	8/93
2	TEMPLATE UPDATE	JEJ	6/96
3	TEMPLATE UPDATE	AMM	11/97
4	TEMPLATE UPDATE	AMM	09/06

LCN®		APP BY JEJ 6/96	
		DO NOT SCALE	
OVERHEAD CONCEALED CLOSER, ARM & TRACK WITH OFFSET PIVOTS			

inch	1/8	3/4	1/2	3/8	1/4	3/8	1/2	1	1 1/8	1 1/4	1 3/4	1 5/8					
mm	2	3	4	6	10	11	13	14	16	19	22	25	27	32	35	41	
inch	1 1/4	1 1/8	2	2 1/8	3 1/4	3 3/8	4	4 1/8	5 1/8	5 1/16	9 1/2	19	20 3/8	20 3/4	21 1/4	21 1/8	
mm	44	49	51	55	70	79	94	102	116	137	138	248	483	524	526	537	556
inch	22 1/2	23 5/8															
mm	572	600															

2030-OP