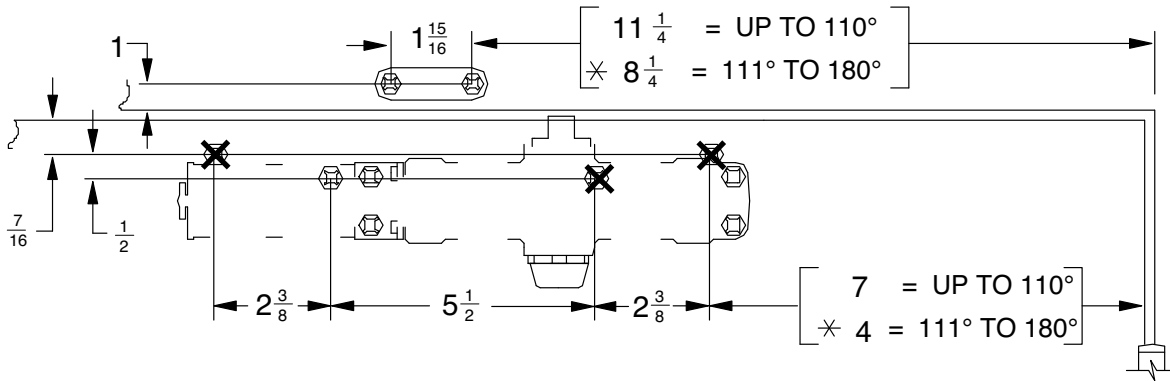


1461 PULL SIDE (DOOR MOUNT) DROP PLATES

**PULL SIDE ARM MOUNTED ON:
1461-18 DROP PLATE
1461-18FC DROP PLATE
1461-18DS1 DROP PLATE**

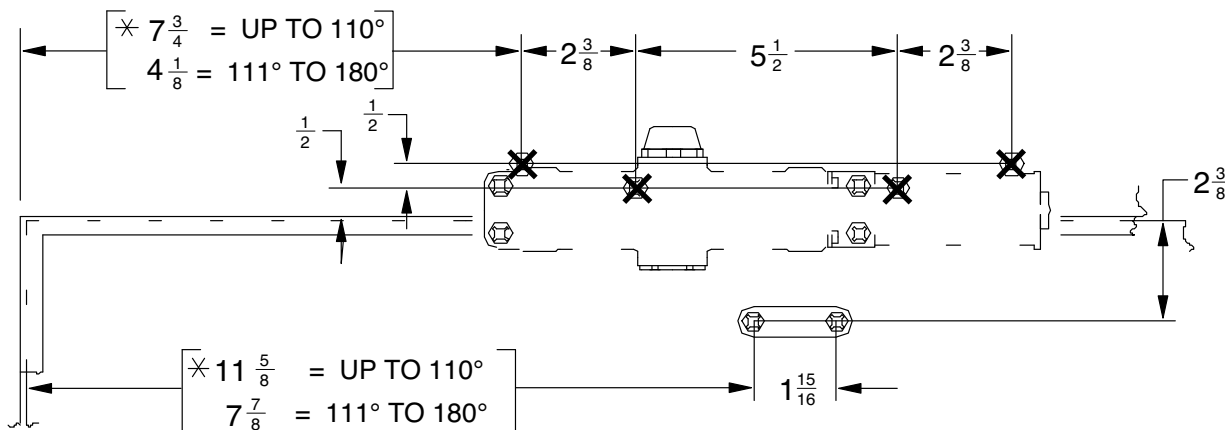


LEFT HAND DOOR SHOWN
RIGHT HAND DOOR OPPOSITE

- NOTES -
1. MINIMUM TOP RAIL WIDTH IS $1\frac{1}{2}$ ".
* 2. TRIM, FRAME, AND HINGE PERMITTING

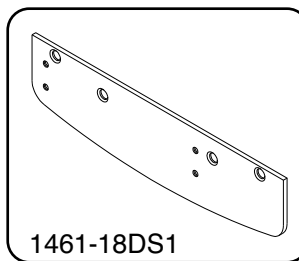
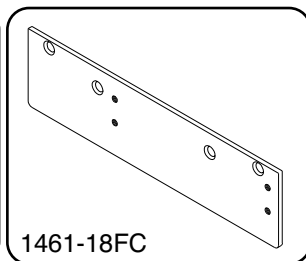
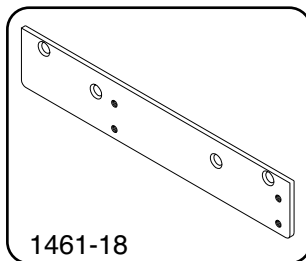
1461 PUSH SIDE (TOP JAMB) DROP PLATES

**PUSH SIDE ARM MOUNTED ON:
1461-18 DROP PLATE**



LEFT HAND DOOR SHOWN
RIGHT HAND DOOR OPPOSITE

- NOTES -
1. MINIMUM FRAME FACE OF $1\frac{1}{4}$ " REQUIRED.
* 2. INCREASE THIS DIMENSION $1\frac{1}{2}$ " FOR DELAYED ACTION WHEN DOOR CAN ONLY OPEN 90°.



INCH	$\frac{7}{16}$	$\frac{1}{2}$	1	$1\frac{1}{4}$	$1\frac{1}{2}$	$1\frac{15}{16}$	$2\frac{3}{8}$	$2\frac{3}{4}$	4
M. M.	11	13	25	32	38	49	60	70	102
INCH	$4\frac{1}{8}$	$5\frac{1}{2}$	7	$7\frac{3}{4}$	$7\frac{7}{8}$	$8\frac{1}{4}$	$11\frac{1}{4}$	$11\frac{5}{8}$	$12\frac{3}{4}$
M. M.	105	140	178	197	200	210	286	295	324

GENERAL NOTES:

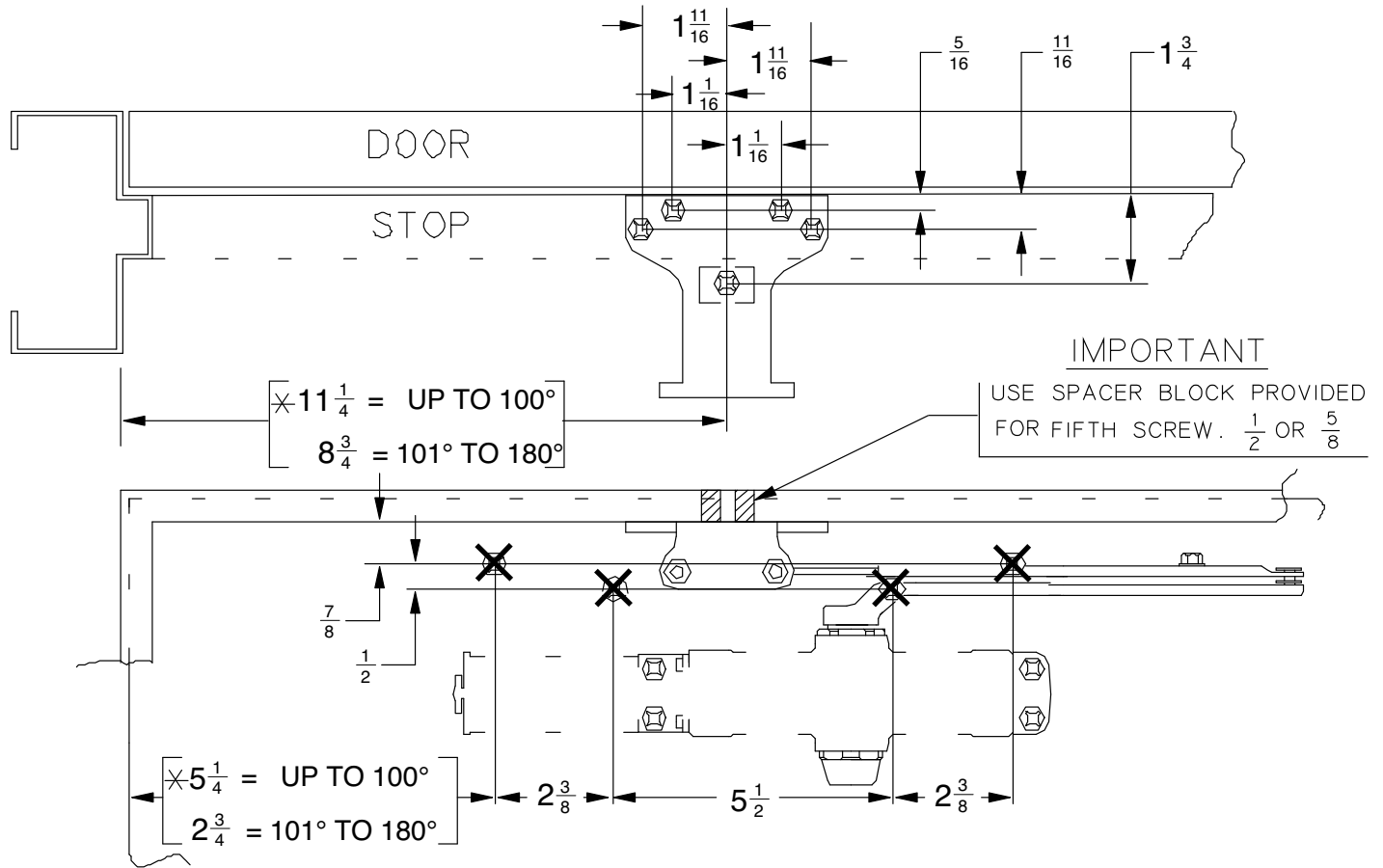
- ON TOP JAMB & HINGE FACE MOUNTS. LOCATE CLOSER & SHOE FROM C OF PIVOT OR SWING CLEAR HINGE PIN WHEN USED.
- ON TOP JAMB MOUNTING WHEN OVERHEAD STOP IS USED, SHOE MUST BE LOWERED TO CLEAR HOLDER.
- FOR 180° OPENING ON HINGEFACE MOUNTS, MAX BUTT SIZE IS 5" X 5"
- REINFORCING PER ANSI/SDI-100 RECOMMENDED FOR HOLLOW METAL DOORS AND FRAMES.
- CLOSER SIZE IS $12\frac{3}{4} \times 2\frac{3}{4} \times 2\frac{3}{8}$

IR LCN
1-800-526-2400

P1461 PUSH SIDE (DOOR MOUNT) DROP PLATES

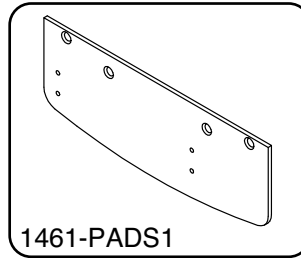
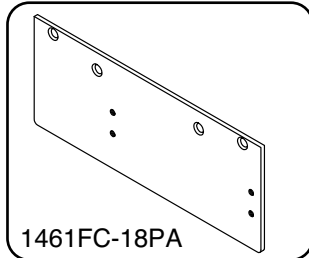
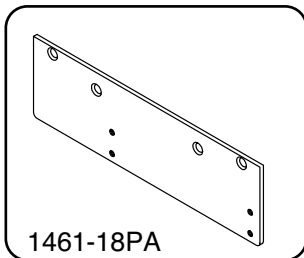
PUSH SIDE PARELLEL ARM MOUNTED ON:

- 1461-18PA DROP PLATE**
- 1461FC-18PA DROP PLATE**
- 1461-PADS1 DROP PLATE**



LEFT HAND DOOR SHOWN
RIGHT HAND DOOR OPPOSITE

- NOTES-
1. MINIMUM TOP RAIL WIDTH IS $2 \frac{1}{4}$ ".
 - * 2. INCREASE THIS DIMENSION $1 \frac{1}{2}$ " FOR DELAYED ACTION WHEN DOOR CAN ONLY OPEN 90° .



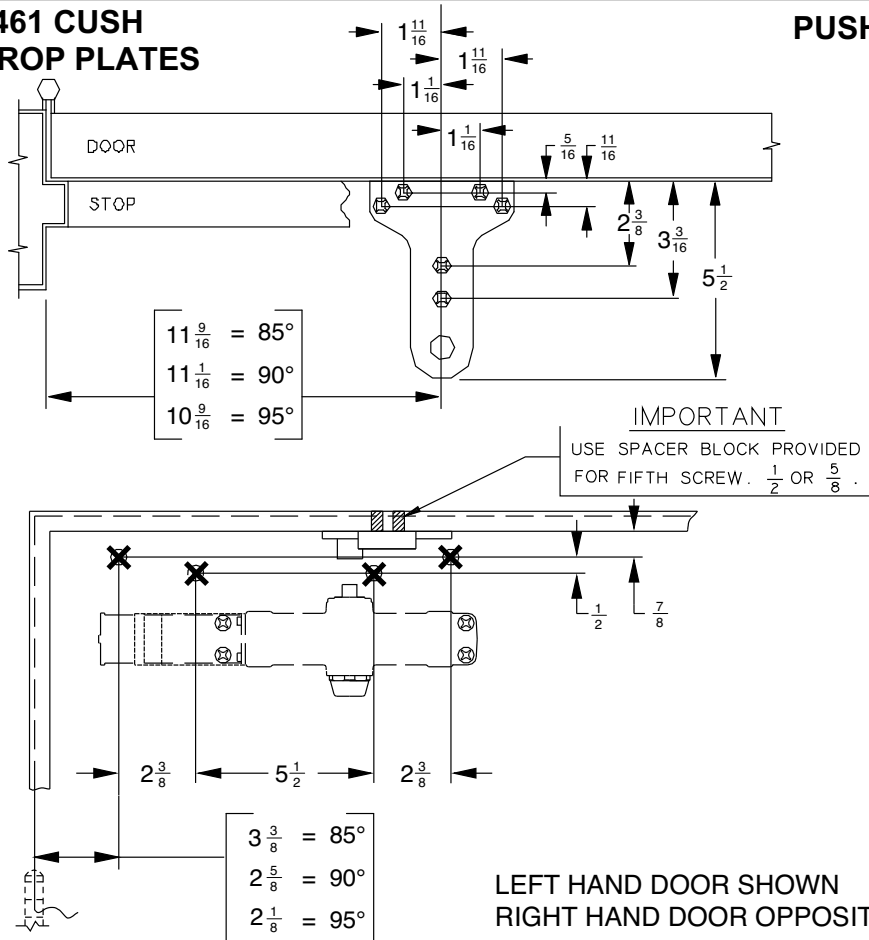
INCH	$\frac{5}{16}$	$\frac{1}{2}$	$\frac{11}{16}$	$\frac{7}{8}$	$1 \frac{1}{16}$	$1 \frac{11}{16}$	$1 \frac{3}{4}$	$2 \frac{3}{8}$	$2 \frac{3}{4}$
M. M.	8	13	17	22	27	43	44	60	70
INCH	$3 \frac{1}{2}$	$5 \frac{1}{4}$	$5 \frac{1}{2}$	$8 \frac{3}{4}$	$11 \frac{1}{2}$	$12 \frac{3}{4}$			
M. M.	89	133	140	222	292	324			

GENERAL NOTES:

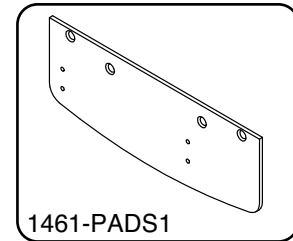
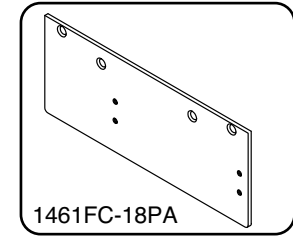
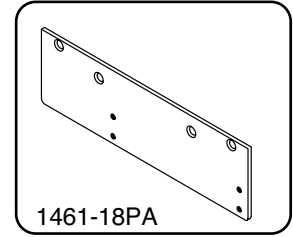
1. ON TOP JAMB & HINGE FACE MOUNTS. LOCATE CLOSER & SHOE FROM C OF PIVOT OR SWING CLEAR HINGE PIN WHEN USED.
2. ON TOP JAMB MOUNTING WHEN OVERHEAD STOP IS USED, SHOE MUST BE LOWERED TO CLEAR HOLDER.
3. FOR 180° OPENING ON P1460, MAX BUTT SIZE IS 5" X 5", MAX. REVEAL FOR P1460 MOUNT IS $3 \frac{1}{2}$ ".
4. REINFORCING PER ANSI/SDI-100 RECOMMENDED FOR HOLLOW METAL DOORS AND FRAMES.
5. CLOSER SIZE IS $12 \frac{3}{4} \times 2 \frac{3}{4} \times 2 \frac{3}{8}$



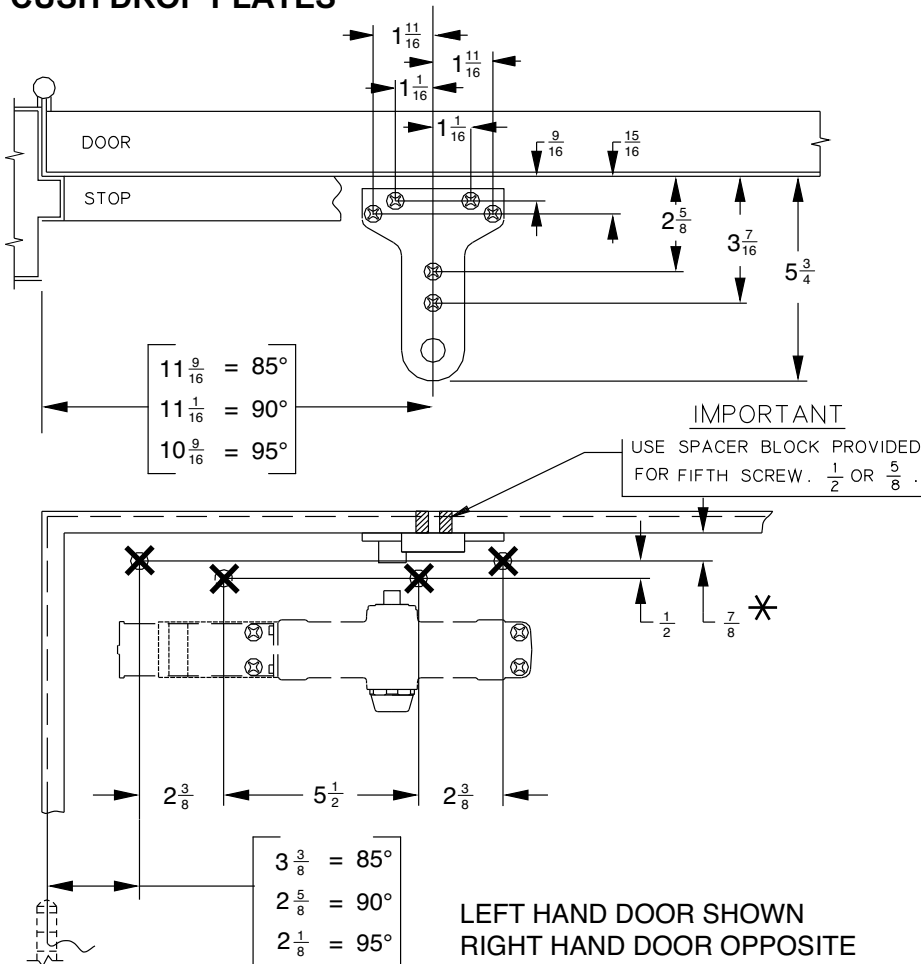
1461 CUSH DROP PLATES



PUSH SIDE, PARELLEL ARM MOUNTED ON: 1461-18PA DROP PLATE 1461FC-18PA DROP PLATE 1461-PADS1 DROP PLATE



PUSH SIDE, PARALLEL ARM MOUNTED FOR SPRING CUSH DROP PLATES



INCH	$\frac{1}{4}$	$\frac{5}{16}$	$\frac{3}{8}$	$\frac{1}{2}$	$\frac{5}{8}$	$\frac{11}{16}$	$\frac{7}{8}$	1	$1 \frac{1}{16}$	$1 \frac{1}{2}$	$1 \frac{5}{8}$
M.M.	6	8	10	13	16	18	22	25	27	38	41

INCH	$1 \frac{11}{16}$	2	$2 \frac{3}{8}$	$2 \frac{5}{8}$	$2 \frac{3}{4}$	$2 \frac{7}{8}$	$3 \frac{3}{16}$	$3 \frac{3}{8}$	$4 \frac{3}{4}$	$4 \frac{7}{8}$	$5 \frac{1}{2}$
M.M.	43	51	60	66	70	73	81	86	120	123	139

INCH	$5 \frac{7}{8}$	$6 \frac{5}{8}$	$7 \frac{1}{2}$	$10 \frac{1}{16}$	$11 \frac{1}{16}$	$11 \frac{9}{16}$	$12 \frac{1}{4}$
M.M.	149	168	190	255	281	293	311

GENERAL NOTES:

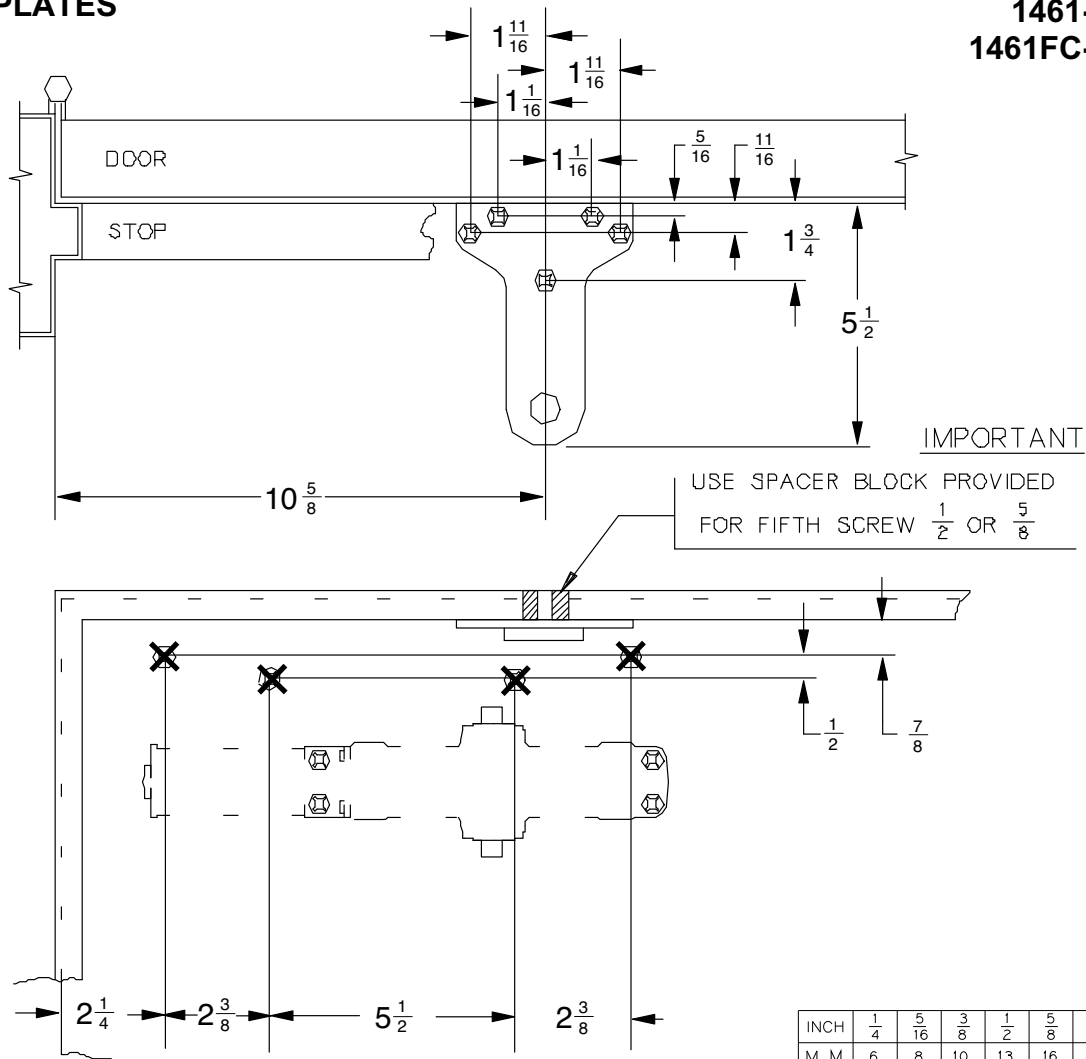
- IF DOOR IS HUNG ON PIVOTS LOCATE CLOSER AND SHOE FROM C OF PIVOT POINT.
 - CLOSER SIZE $12 \frac{1}{4} \times 2 \frac{3}{4} \times 2 \frac{3}{8}$.
 - TOP RAIL LESS THAN $4 \frac{3}{4}$ REQUIRES DROP PLATE.
 - ALL DIMENSIONS APPLICABLE FOR HOLD OPEN OR DEAD STOP.
 - DELAYED ACTION OPTIONAL.
 - REINFORCING PER. ANSI/SDI-100 RECOMMENDED FOR HOLLOW METAL DOOR AND FRAMES.
 - $\frac{5}{8}$ MAXIMUM ALLOWABLE SIDE STOP.
 - USING FASTERS PROVIDED MOUNT DROP PLATE WITH (4) $\frac{1}{4}$ - 14 X $1 \frac{3}{8}$ S.R.T. MOUNT CLOSER TO DROP PLATES (4) $\frac{1}{4}$ - 20 X $\frac{1}{2}$ P.H.M.S.
- * INCREASE THIS DIMENSION TO $\frac{15}{16}$ FOR SPRING CUSH FC



**1461 EDA
DROP PLATES**

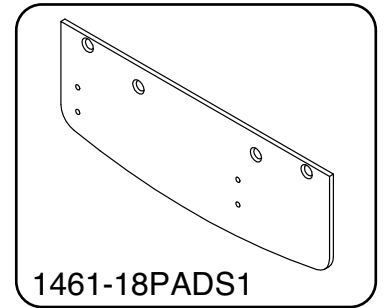
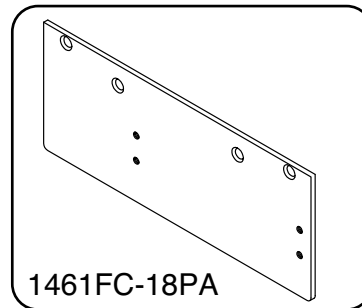
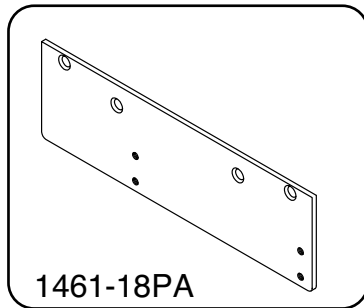
PUSH SIDE, PARELLEL ARM MOUNTED ON:

**1461-18PA DROP PLATE
1461FC-18PA DROP PLATE
1461-PADS1**



**LEFT HAND DOOR SHOWN
RIGHT HAND DOOR OPPOSITE**

INCH	1/4	5/16	3/8	1/2	5/8	11/16	7/8	1	1 1/16	1 1/2	1 5/8
M. M.	6	8	10	13	16	18	22	25	27	38	41
INCH	1 1/16	2	2 3/8	2 5/8	2 3/4	2 7/8	3 3/16	3 3/8	4 3/4	4 7/8	5 1/2
M. M.	43	51	60	66	70	73	81	86	120	123	139
INCH	5 7/8	6 5/8	7 1/2	10 1/16	11 1/16	11 9/16	12 1/4				
M. M.	149	168	190	255	281	293	311				



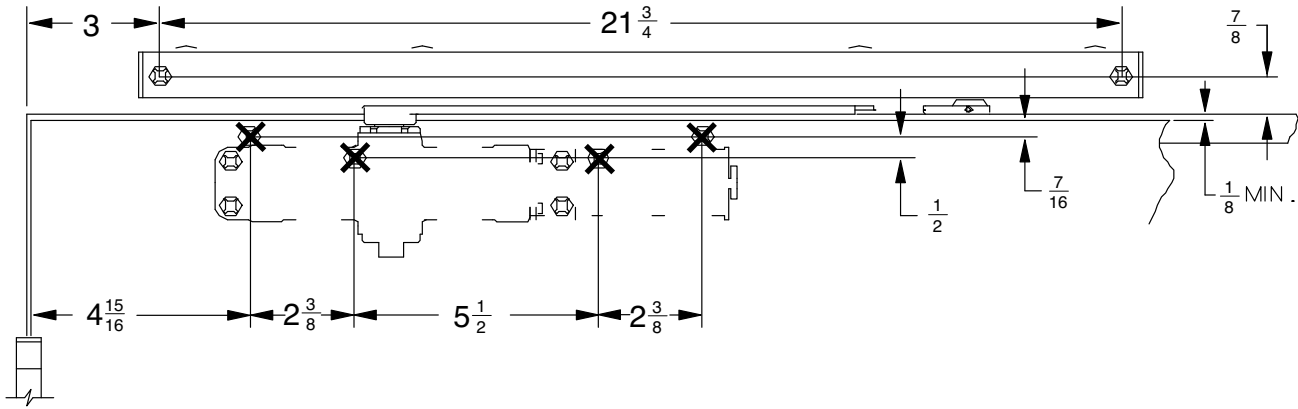
GENERAL NOTES:

1. IF DOOR IS HUNG ON PIVOTS LOCATE CLOSER AND SHOE FROM C OF PIVOT POINT. (CONSULT FACTORY IF USING SWING CLEAR HINGS.)
2. CLOSER SIZE 12 1/4 X 2 3/4 X 2 3/8.
3. TOP RAIL LESS THAN 4 3/4 REQUIRES DROP PLATE.
4. ALL DIMENSIONS APPLICABLE FOR HOLD OPEN.
5. DELAYED ACTION OPTIONAL.
6. REINFORCING PER. ANSI/SDI-100 RECOMMENDED FOR HOLLOW METAL DOOR AND FRAMES.
7. 5/8 MAXIMUM ALLOWABLE SIDE STOP.
8. USING FASTERS PRODVIDED MOUNT DROP PLATE WITH (4) 1/4 - 14 X 1 3/8 S.R.T. MOUNT CLOSER TO DROP PLATES WITH (4) 1/4 - 20 X 1/2 P.H.M.S. MAX. BUTT HINGE SIZE 5 x 5.



1460T/1461T PULL SIDE (DOOR MOUNT) DROP PLATES

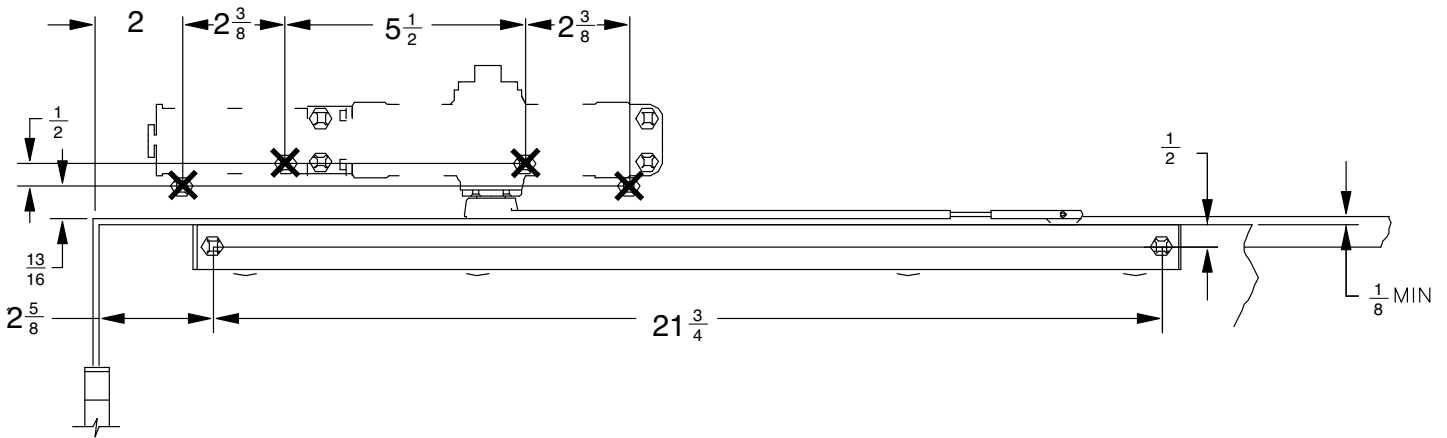
**PULL SIDE ARM MOUNTED ON:
1461-18 DROP PLATE
1461-18FC DROP PLATE
1461-18DS1 DROP PLATE**



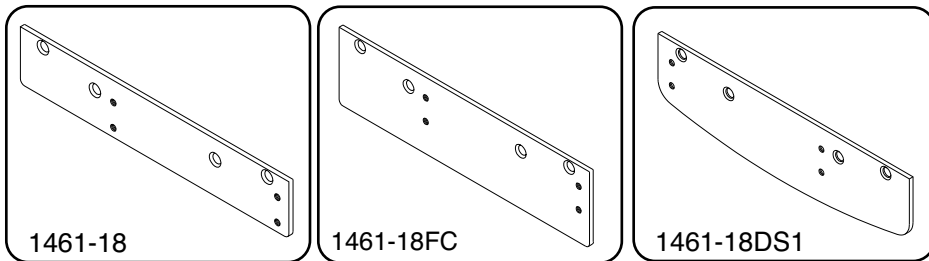
RIGHT HAND DOOR SHOWN
LEFT HAND DOOR OPPOSITE

1461 PULL SIDE (TOP JAMB) DROP PLATES

**PUSH SIDE ARM MOUNTED ON:
1461-18 DROP PLATE
1461-18FC DROP PLATE**



RIGHT HAND DOOR SHOWN
LEFT HAND DOOR OPPOSITE



INCH	1/8	7/16	1/2	13/16	7/8	1	2 3/8	2 5/8	2 3/4
M. M.	3	11	13	21	22	51	60	67	70
INCH	3	4 15/16	5 1/2	12 3/4	21 3/4				
M. M.	76	125	140	324	552				

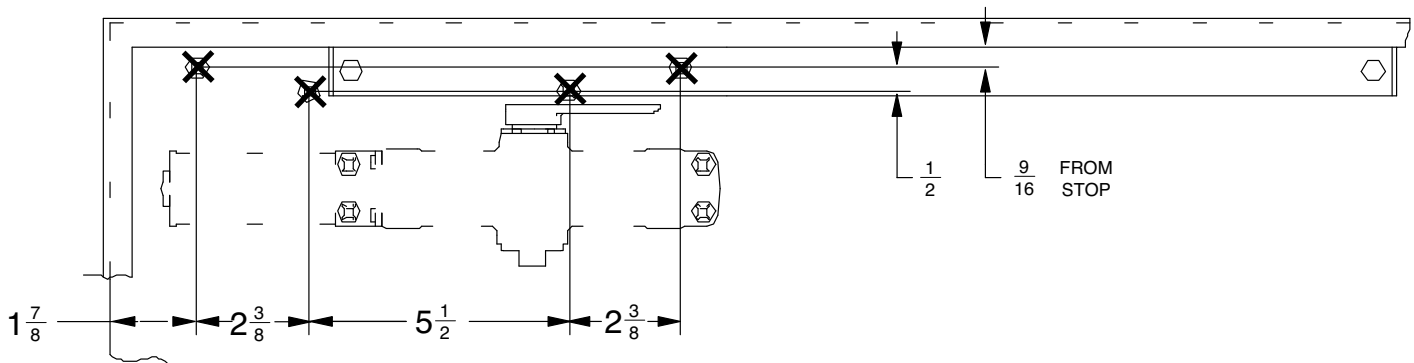
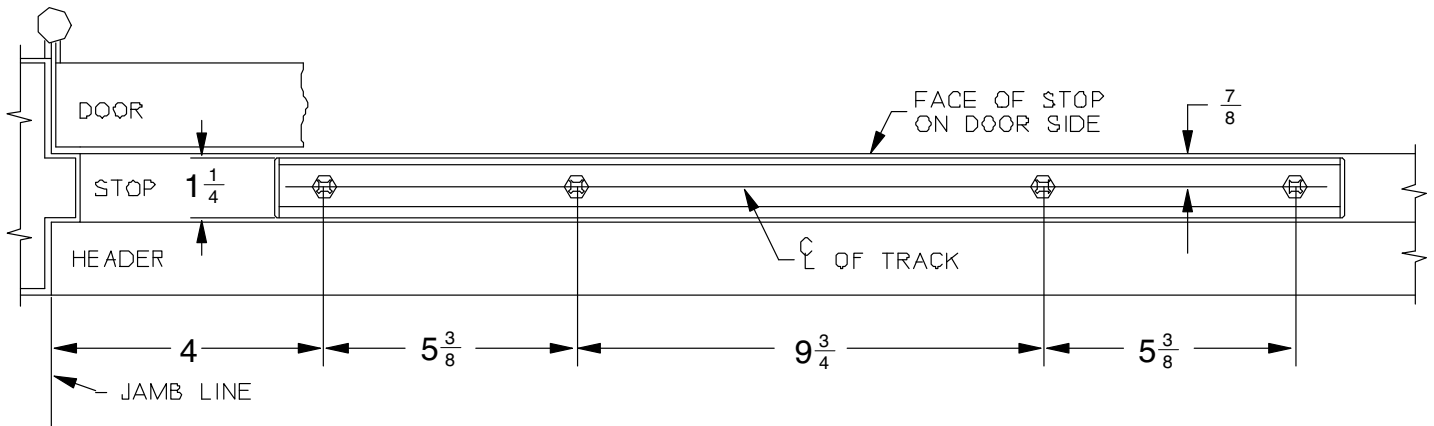
GENERAL NOTES:

1. LOCATE CLOSER & TRACK FROM C OF PIVOT OR SWING CLEAR HINGE PIN WHEN USED.
2. IF BUTT, FRAME AND WALL CONDITIONS PERMIT. PULL SIDE MOUNTINGS ALLOW 180° OF OPENING.
3. OPTIONAL HOLD-OPEN AVAILABLE. ADJUSTABLE FROM 85° - 100°.
4. REINFORCING PER ANSI/SDI-100 RECOMMENDED FOR HOLLOW METAL DOORS AND FRAMES.
5. CLOSER SIZE IS $12 \frac{3}{4} \times 2 \frac{3}{4} \times 2 \frac{3}{8}$
6. DELAY ACTION OPTIONAL.

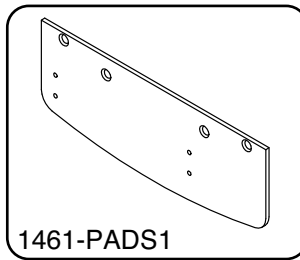
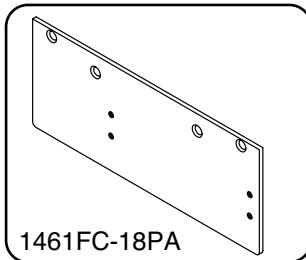
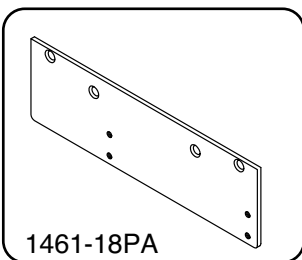


**1460T/1461T PUSH SIDE (DOOR MOUNT)
DROP PLATES**

**PUSH SIDE PARELLEL ARM MOUNTED ON:
1461-18PA DROP PLATE
1461FC-18PA DROP PLATE
1461-PADS1 DROP PLATE**



LEFT HAND DOOR SHOWN
RIGHT HAND DOOR OPPOSITE



INCH	$\frac{1}{2}$	$\frac{9}{16}$	$\frac{7}{8}$	$1\frac{1}{4}$	$1\frac{7}{8}$	$2\frac{3}{8}$	$2\frac{3}{4}$
M.M.	13	14	22	32	44	60	70

INCH	4	$5\frac{3}{8}$	$5\frac{1}{2}$	$9\frac{3}{4}$	$12\frac{3}{4}$
M.M.	102	137	140	248	324

GENERAL NOTES:

1. LOCATE CLOSER & TRACK FROM ϕ OF PIVOT OR SWING CLEAR HINGE PIN WHEN USED.
2. IF BUTT, FRAME AND WALL CONDITIONS PERMIT. PULL SIDE MOUNTINGS ALLOW 180° OF OPENING.
3. OPTIONAL HOLD-OPEN AVAILABLE. ADJUSTABLE FROM 85° - 100°.
4. REINFORCING PER ANSI/SDI-100 RECOMMENDED FOR HOLLOW METAL DOORS AND FRAMES.
5. CLOSER SIZE IS $12\frac{3}{4} \times 2\frac{3}{4} \times 2\frac{3}{8}$
6. DELAY ACTION OPTIONAL.

