

Scarlett Suspension (LED)

SU755_LED 1.0

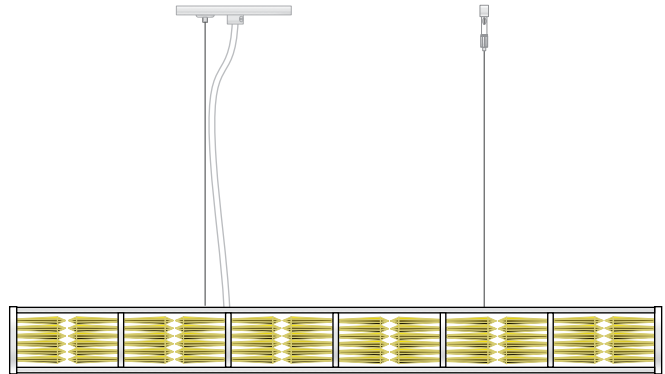


GENERAL PRODUCT INFORMATION:

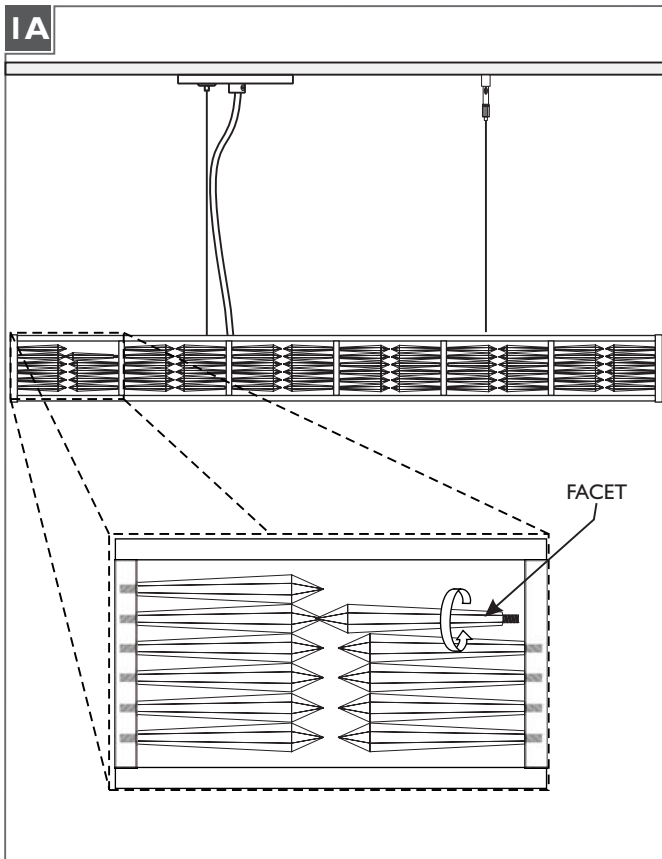
This product is suitable for damp locations.



CAUTION - RISK OF FIRE
 This product requires installation by a qualified electrician. Before installing be sure to read all instructions and **TURN THE POWER TO THE ELECTRICAL BOX OFF.**

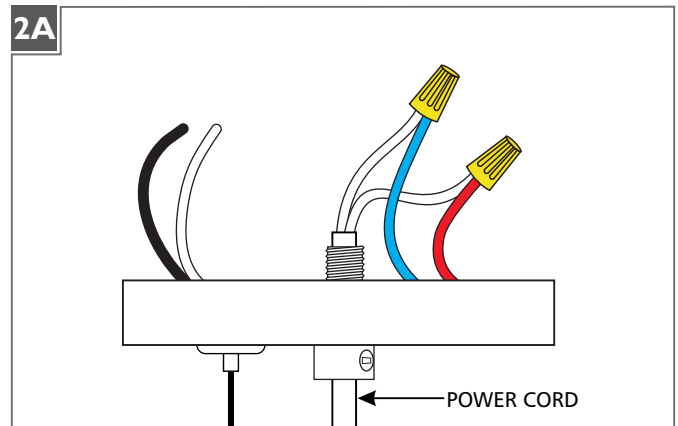


Assemble the Fixture

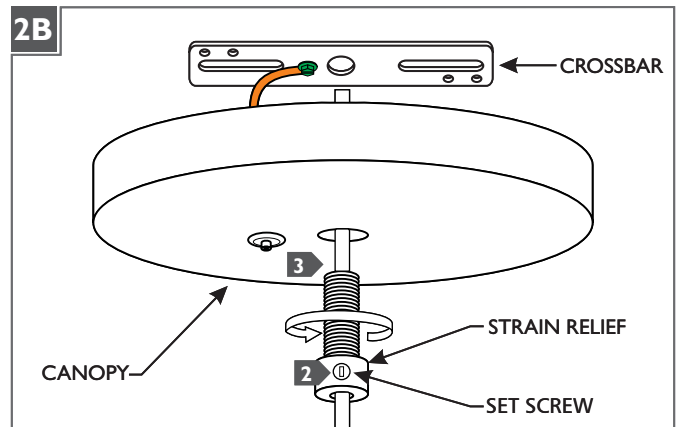


1 Install the facets by screwing them in completely.

Shorten the Power Cord

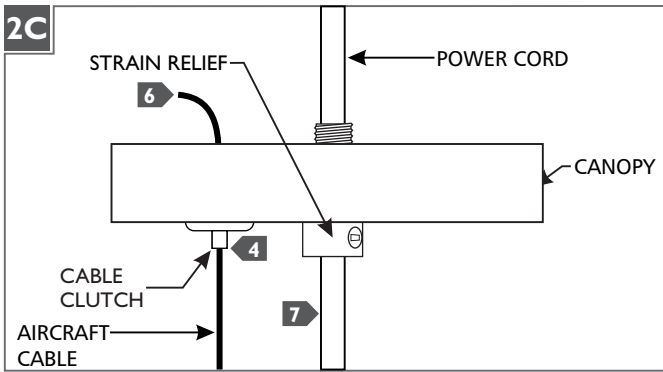


1 Take note of the wire connections and remove the wire nuts to disconnect the power cord wires from the driver wires.

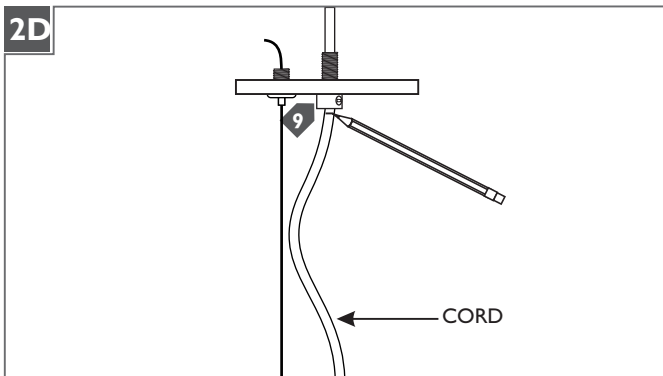


2 Loosen (**Do Not Remove**) the set screw on the strain relief.

3 Remove the crossbar from the canopy by completely unscrewing the strain relief.

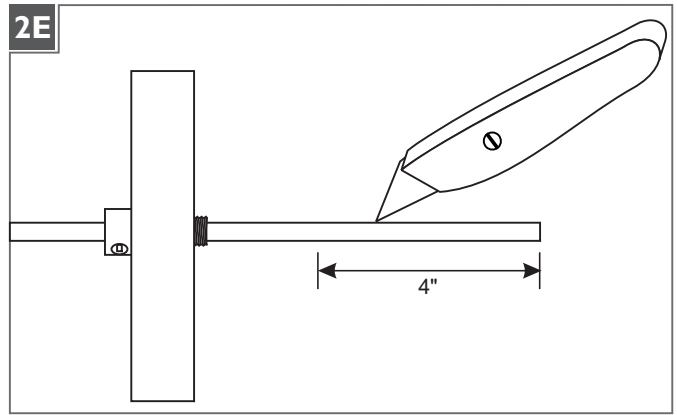


- 4 Feed the aircraft cable through the cable clutch in the canopy.
- 5 Pull the aircraft cable up through the canopy to determine the fixture height.
- 6 Cut off the excess aircraft cable leaving enough for fine leveling later.
- 7 Pull the power cord through the canopy to the desired length.



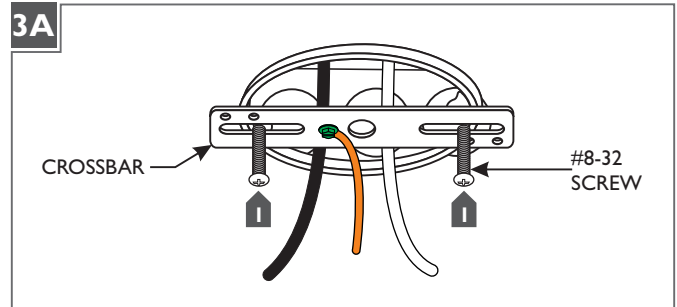
NOTE: The power cord does not support the fixture. For a casual "lazy cord" look, cut the power cord several inches longer than the drop height of the fixture.

- 8 Once the desired look is determined, tighten the set screw on the strain relief.
- 9 Mark the cord underneath the strain relief.

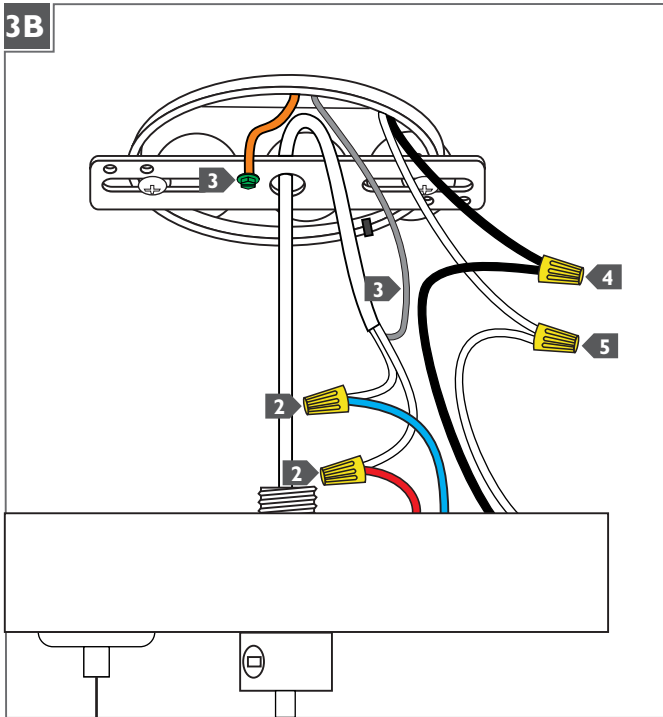


- 10 Leave 6" of the cord behind the canopy for power connections. Cut the excess cord.
- 11 From the end of the cord, strip the insulation 4" using a sharp knife. **Make sure not to nick the inner wires.**
- 12 Strip the end of the wires.

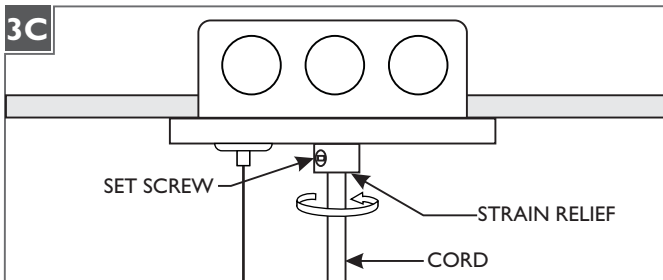
Mount the Fixture



- 1 Mount the crossbar assembly to the electrical box with the two provided #8-32 screws.

3B

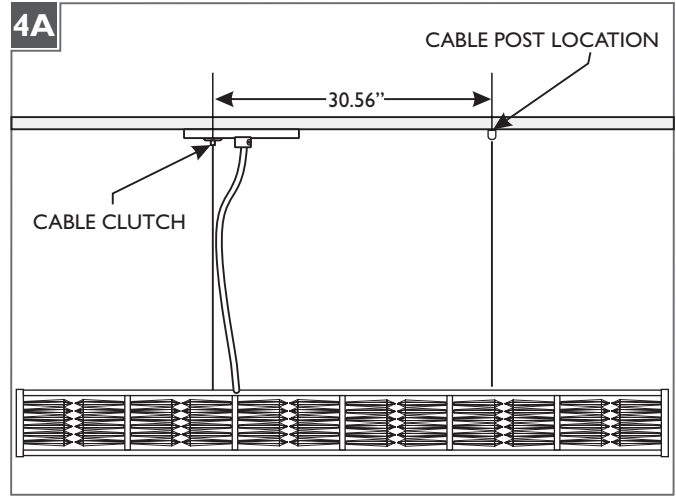
- 2** Reconnect the power cord wires to their original connections (reversal of 2A).
- 3** Ground the fixture to a suitable ground in accordance with local electrical codes.
- 4** Connect the white ballast wire to the neutral power line wire.
- 5** Connect the black ballast wire to the hot power line wire.

3C

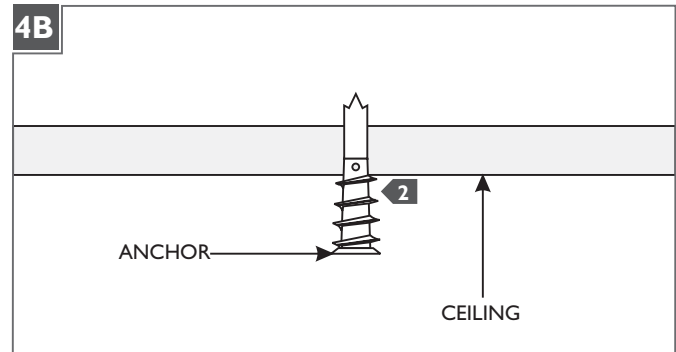
- 6** Place all wires and wire nut connections properly inside the electrical box.
- 7** Loosen the set screw on the primary strain relief.
- 8** Align the canopy center hole with the crossbar center hole.
- 9** Slide the canopy up against the ceiling and secure it in place by tightening the primary strain relief into the crossbar. Do not turn the cord.
- 10** Push the cord into the canopy and line up the marked point on the cord with the bottom of the primary strain relief.
- 11** Tighten the plastic set screw to secure the cord.

Install the Cable Post

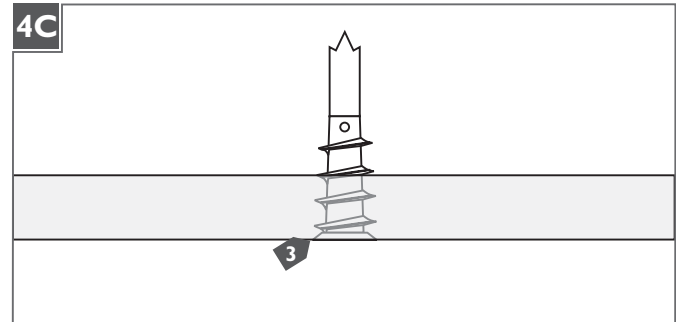
CAUTION: Make sure to support the fixture while installing, an assistant will be needed to complete the remaining steps.

4A

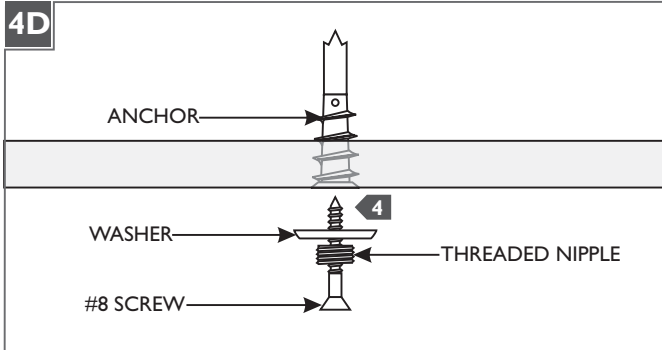
- 1** Mark the cable post location point 30.56" away from the center cable clutch on the canopy.

4B

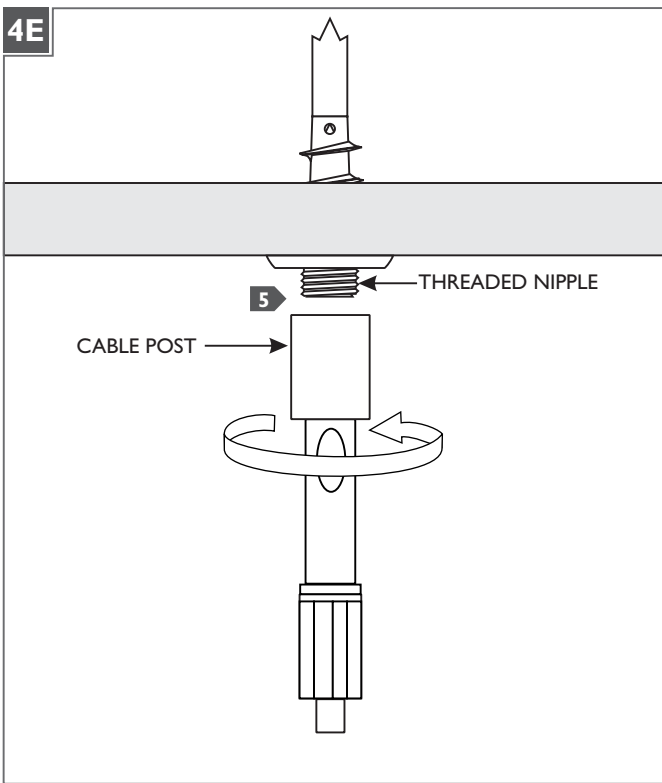
- 2** Tap the anchor at the marked point up to the threaded portion with a hammer.

4C

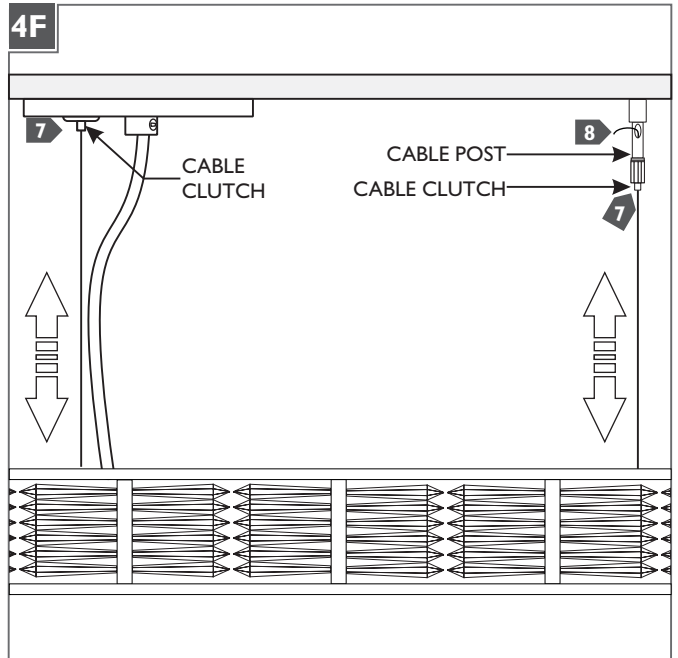
- 3** Screw the anchor in the rest of the way with a Phillips screwdriver.



4 Insert the #8 screw into the threaded nipple and washer. Tighten the #8 screw completely into the anchor to secure the washer and threaded nipple in place.



5 Screw the cable post completely to the threaded nipple.



CAUTION: Make sure to support the fixture while making adjustments, an assistant will be needed to complete this step.

- 6** Feed the cable through the cable post.
- 7** To level the fixture, push the tab on the cable clutch and feed more or less of the support cable into the cable clutch. Make fine adjustments to each cable until the fixture is level.
- 8** Trim the excess cable from the cable post.

SAVE THESE INSTRUCTIONS!



7400 Linder Ave, Skokie, IL 60077
800.323.3226 - 847.626.6300

www.lblighting.com

© 2013 LBL Lighting. All rights reserved. The "LBL Lighting" graphic is a registered trademark of LBL Lighting. LBL Lighting reserves the right to change specifications for product improvements without notification.

A Generation Brands Company