

The industry's first RETROFIT hot water recirculation pump designed specifically for tankless water heater applications, JUST GOT BETTER with high efficiency ECM technology.

- No return line required
- Compact spherical motor design
- Energy efficient ECM motor
- Silent operation
- Built-in temperature control
- Built-in 24 hour timer with multiple on/off settings
- Suitable for tankless water heater
- 6 foot power cord



# ACT E10 autocirc<sup>®</sup>

UNDERSINK PUMP FOR POTABLE WATER SYSTEMS

Energy Efficient • Permanent Magnet Electronically Commutated Motor

## Description

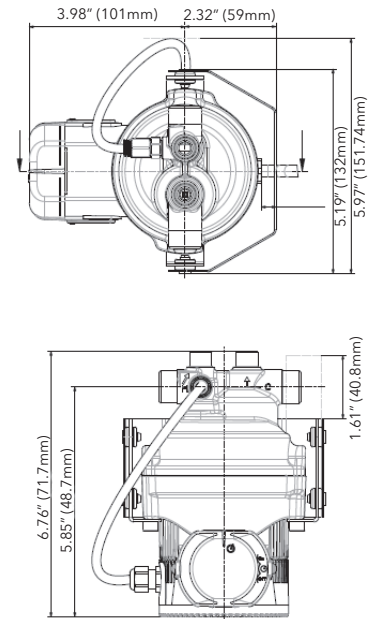
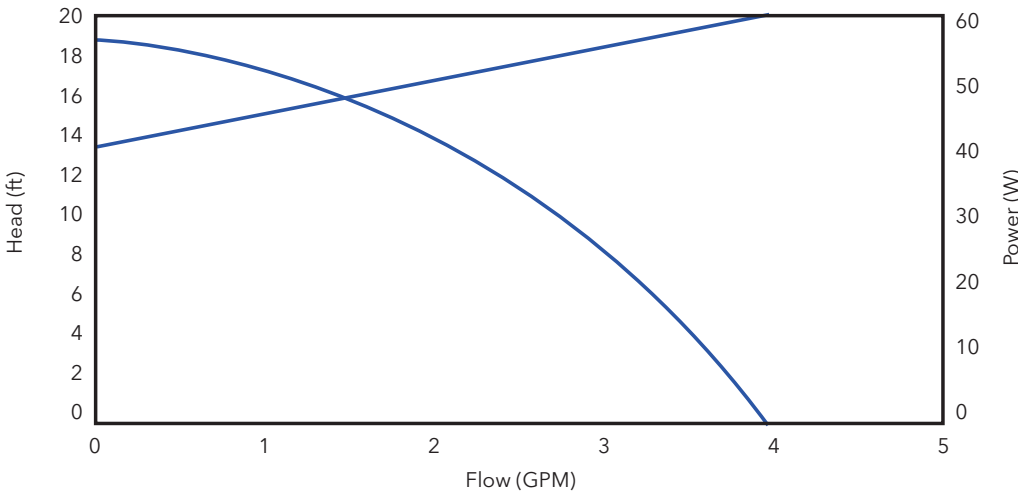
ACT E10 autocirc lead-free\* pump was designed with highly efficient electronically commutated permanent magnet motor (ECM/PM technology) specifically for potable water systems. This unique design is perfect for retrofits, no recirculation pipe required, and systems with tankless water heaters.

## Control Mode

The ACT E10 is controlled by a timer and thermostat. A built-in temperature sensor automatically turns the pump ON when the water temperature in the hot water supply line cools down to 89.6°F (32°C). The pump turns OFF automatically when water temperature reaches 95°F (35°C), ensuring instant availability of warm water with hot water only seconds behind. The pump is also equipped with 24 hour, adjustable timer to provide the most cost effective method of operation. The timer can be programmed to run only during the time periods when hot water is most frequently required.

\* As defined, by CA AB1953. Less than 0.25% on wetted surface area. NSF certified.

Performance Curves of ACT E10 Pump



## Available Models

| Part Number | Control Mode          | Model   | Power Consumption | Weight  |
|-------------|-----------------------|---------|-------------------|---------|
| 6050E7000   | Temperature and Timer | ACT E10 | 60 W              | 5.20 lb |

## Specification

The contractor shall furnish and install hot water recirculation pumps as illustrated on the plans and in accordance with the following specifications:

1. The pumps shall be of the high efficiency type specifically designed for quiet operation
2. Pump to be suitable for 203°F (110°C) operation at 150 psig (10 Bar) working pressure
3. The pumps shall have a shaft-less, wet rotor design with a ceramic ball bearing lubricated by the system fluid.
4. Pump to have built-in temperature sensor and 24-hour, adjustable timer
6. Motor shall be spherical with an electronically commutated, permanent magnet motor (ECM/PM)
7. Motor shall be non-overloading at any point on the pump curve and shall have built in overload protection
8. Pumps to have a capacity of \_\_\_GPM at \_\_\_foot of head
9. All pumps to be supplied by Laing



Xylem, Inc.  
 3878 S. Willow, Suite 104  
 Fresno, CA 93725  
 Tel: (559) 265-4730 (800) 554-6853  
 Fax: (559) 265-4740 (800) 453-7523  
[www.xylem.com/brands/laingthermotech](http://www.xylem.com/brands/laingthermotech)

Laing Thermotech is a trademark of Xylem, Inc. or one of its subsidiaries.  
 © 2012 Xylem, Inc. BR-26A June 2012