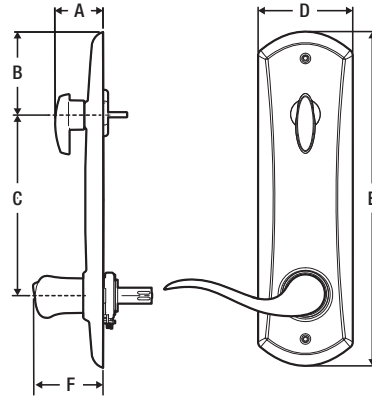


Kwikset

INTERCONNECT

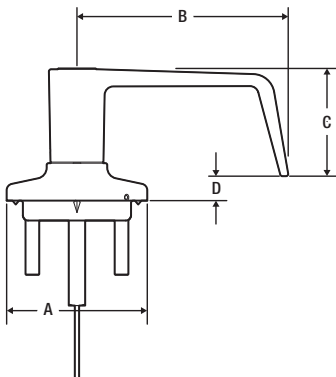
Door Prep	Crossbore 2 1/8" Edge Bore 1" 5-1/2" center-to-center only.
Backset	Complete locksets: 2-3/4" UL or 2 3/8" UL
Door Thickness	1-3/4" and 2-1/4".
Cylinder	506, 508 - utilize 6-pin or SmartKey on 780 deadbolt. 505, 507 - utilize 5-pin on 660 deadbolt. 502 - determined by handleset ordered. SmartKey or Pin & Tumbler.
Faceplate	Complete locksets: No default—must specify faceplate. 1" round corner, 1" square corner, 1-1/8 WFL square. Complete locksets: UL 3028, 3031, (WFL option 3846).
Strikes	Deadbolt Strike: UL 5278, 3223 (WFL 4632 opt.).
Handing	506, 508, 505, 507 - reversible. 502 - specify handing.
ANSI/BHMA	506, 508, 505, 507 - Grade 3 Certified 502 - Determined by handleset ordered.
ADA	All lever options meet 4.13.9 ADA requirements.
UL	Meets UL 3 hour fire rating for all functions except 502.
Interior Locking	Push button (for Kingston & Carson) Turn button (for Interconnect)



Design	A	B	C	D	E	F
Interconnect	1-7/16"	2-15/32"	5-1/2"	2-53/64"	10"	2-31/32"

KINGSTON LEVER

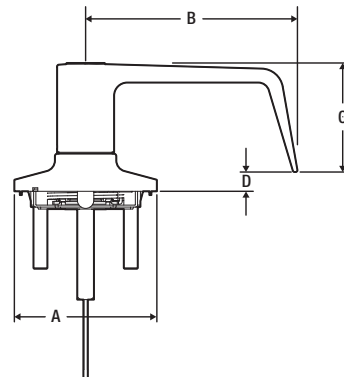
ANSI/BHMA	Grade 2 Certified
Door Prep	Crossbore 2-1/8" Edge Bore 1"
Backset	Adjustable to 2-3/8" or 2-3/4"
Door Thickness	1-3/8" – 1-3/4" standard
Cylinder	SmartKey or Pin & Tumbler
Latch	Adjustable to 2-3/8" or 2-3/4" Specify round corner or square corner, WFL.
Strikes	2-1/4" full lip UL. Specify round corner or square corner. Other options include 2-3/4" T-Strike and 4-7/8" ASA.
Bolt	1/2" throw
Door Handling	Reversible for right or left-hand doors.
ADA	Lever functions satisfy 4.13.9 ADA requirements.
UL	Meets UL 3 hour fire rating for all functions
Warranty	Lifetime Mechanical, 5 Year Finish
Interior Locking	Push button (for Kingston & Carson) Turn button (for Interconnect)



Design	A	B	C	D
Kingston	2.56"	3.84"	1.96"	.44"

CARSON LEVER

ANSI/BHMA	Grade 3 Certified
Door Prep	Crossbore 2-1/8" Edge Bore 1"
Backset	Adjustable to 2-3/8" or 2-3/4"
Door Thickness	1-3/8" – 1-3/4" standard
Cylinder	SmartKey or Pin & Tumbler
Latch	Adjustable to 2-3/8" or 2-3/4" Specify round corner or square corner, WFL.
Strikes	2-1/4" full lip UL. Specify round corner or square corner. Other options include 2-3/4" T-Strike and 4-7/8" ASA.
Bolt	1/2" throw
Door Handling	Reversible for right or left-hand doors.
ADA	Lever functions satisfy 4.13.9 ADA requirements.
UL	Meets UL 3 hour fire rating for all functions.
Warranty	Lifetime Mechanical, 5 Year Finish
Interior Locking	Push button (for Kingston & Carson) Turn button (for Interconnect)



Design	A	B	C	D
Carson	2.56"	3.80"	1.96"	.35"