

Kwikset Security Knob Specifications

Kwikset Security Knob Specifications

Door Prep	Crossbore 2-1/8" Edge Bore 1" Latch Face 1" x 2-1/4"
Backset	2-3/8" standard. Adjustable 2-3/8" - 2-3/4" optional.
Door Thickness	1-3/8"-1-3/4" doors standard. 2-1/4" doors optional on 200 and 400 functions only.
Cylinder	5-pin.
Faceplates	1" x 2-1/4" square corner standard. Round corner and other options available.
Strikes	2-1/4" full lip square corner standard. Round corner and other options available.
Bolt	1/2" throw for all functions except Tylo® and Polo 200 and 300 which are 3/8" throw.
Door Handing	Reversible for right- or left-handed doors.
ANSI/BHMA	A156.2 Grade 3.

Kwikset Security Knob Dimensions

Dimensions	Design	A	B	C
	Polo®	2-5/8"	2-3/4"	1-7/8"
	Tylo®	2-5/8"	2-3/8"	1-7/8"
	Valiant®	2-5/8"	2-1/4"	1-7/8"

Kwikset Security Knob Finishes

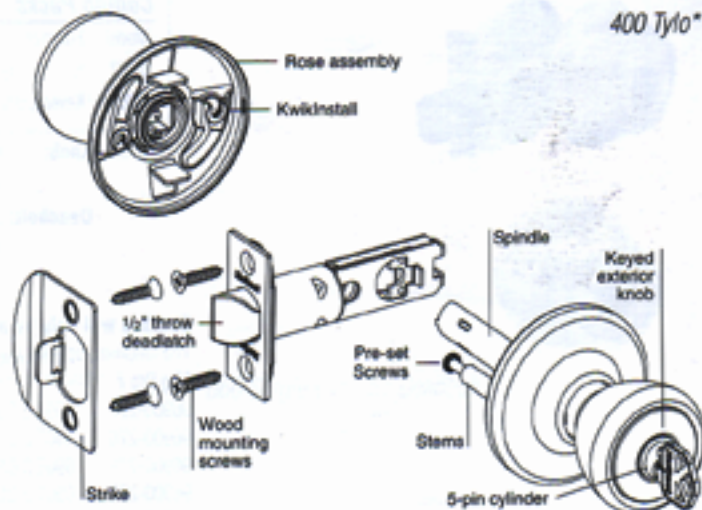
Finish	3	5	15	15A	26	26D
Polo®	•	•	•	•	•	•
Tylo®	•	•			•	•
Valiant®	•	•	•		•	•

Kwikset Security Knob Function Descriptions

	100 <i>F77</i>	Patio/Porch: Both knobs locked or unlocked by turnbutton inside.
	200 <i>F75</i>	Passage/Hall/Closet: Both knobs always free.
	300 <i>F75</i>	Privacy/Bed/Bath: Both knobs locked or unlocked by turnbutton inside. Outside knob unlocked by emergency key.
	300 <i>F75</i>	Privacy/Bathroom: Same function as 300 above. Inside knob polished chrome.
	400 <i>F82</i>	Entry: Both knobs locked or unlocked by key outside or turnbutton inside.
	401 <i>F81</i>	Entry: Outside locked or unlocked by key outside or turnbutton inside. Inside always free.
	450 <i>F86</i>	Storeroom/Vestibule: Outside unlocked only while key is turned. Inside always free.
	488	Half Dummy Trim, Surface Mounted: For doors where only a pull is required. No operation.

Note: ANSI functions are listed in italics.

Kwikset Install™



*Tylo knob design is a registered trademark.