

Kwikset

HALO

Wi-Fi Deadbolt
Launch Presentation



What is Halo?

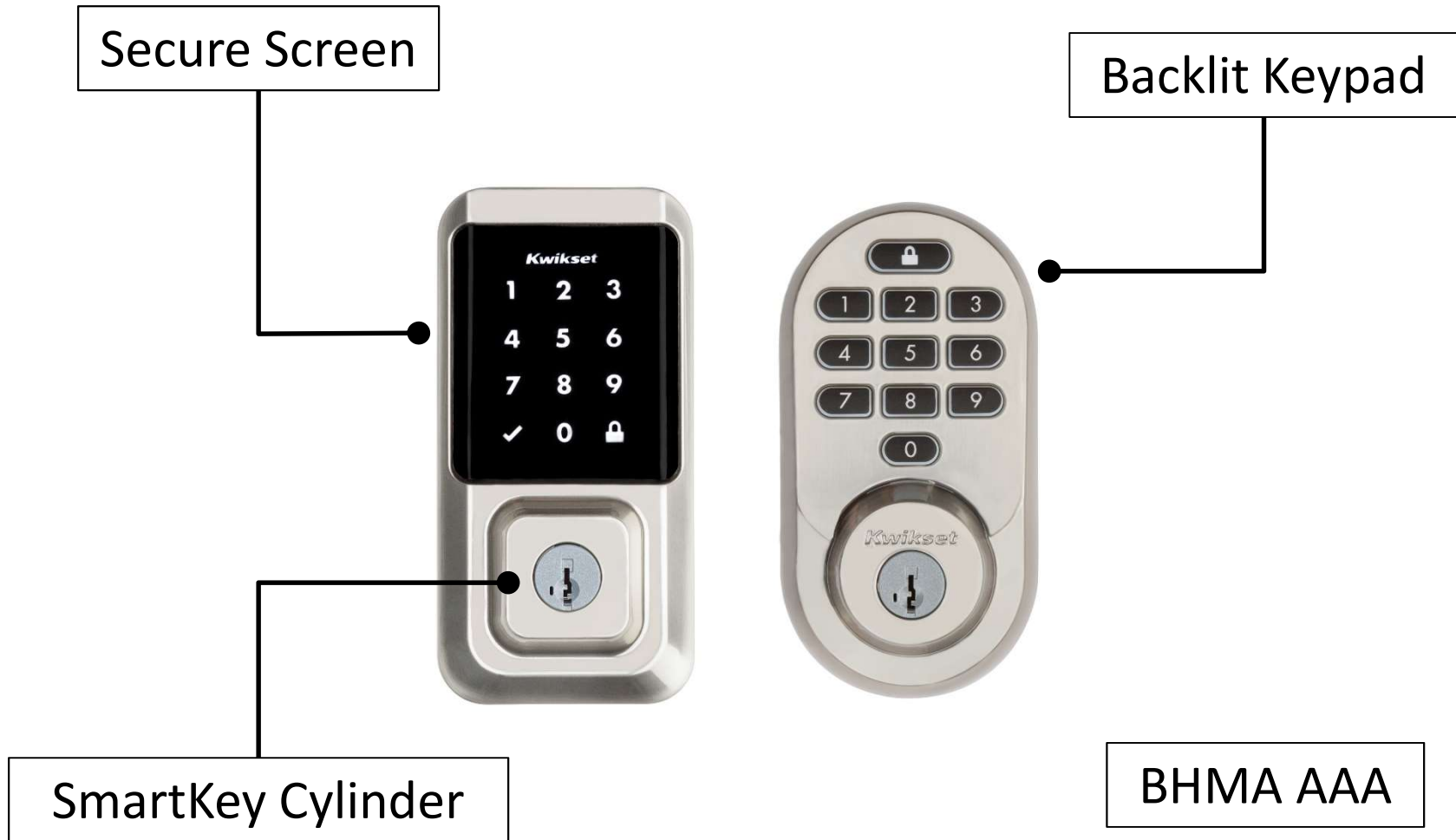
- Wi-Fi Enabled Smart Lock
- 2 Versions
 - Touchscreen
 - 10-Digit Keypad
- SmartKey cylinder
- Works with Kwikset App
 - Apple
 - Android



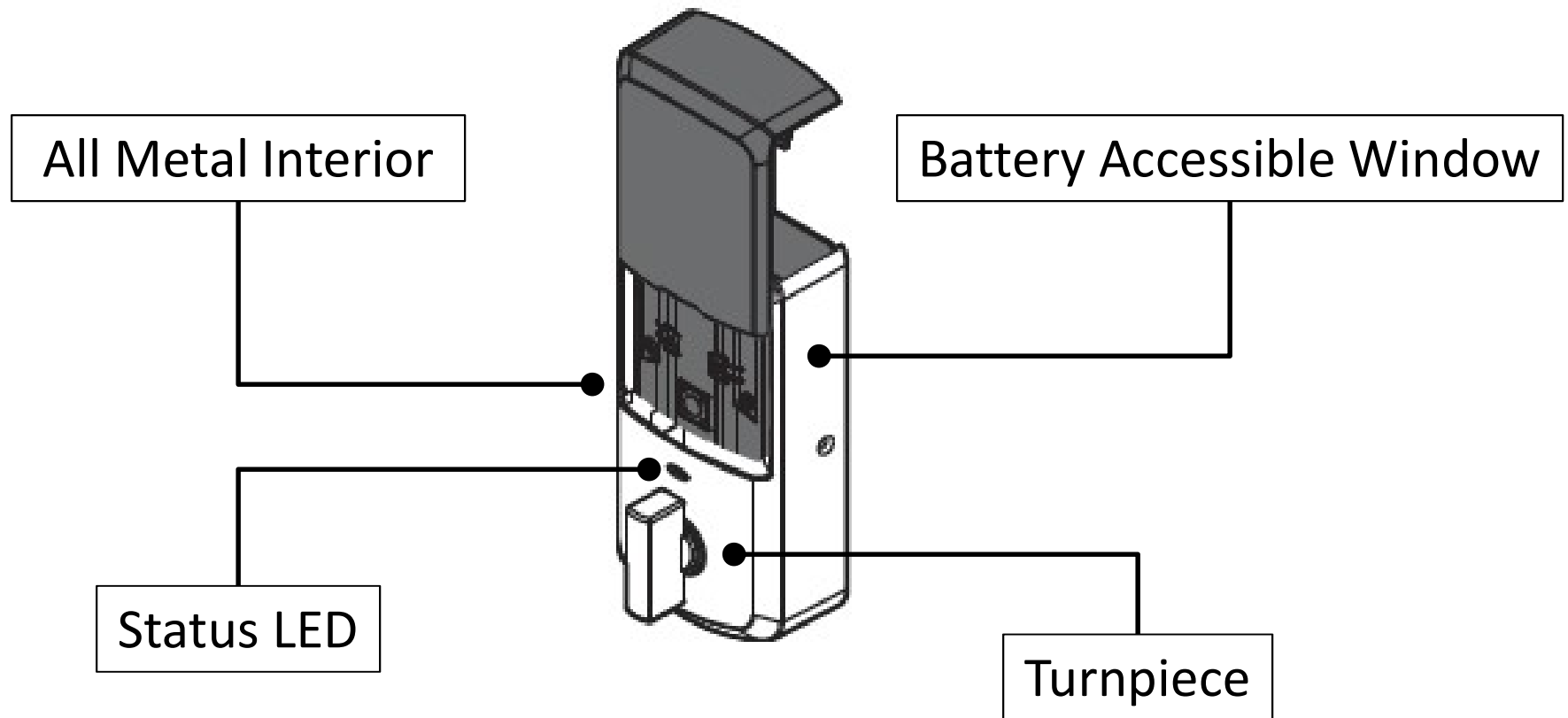
Why Halo?

- No Hub Smart lock
 - Easy Setup / Compatibility
- Leverage Kwikset Cloud

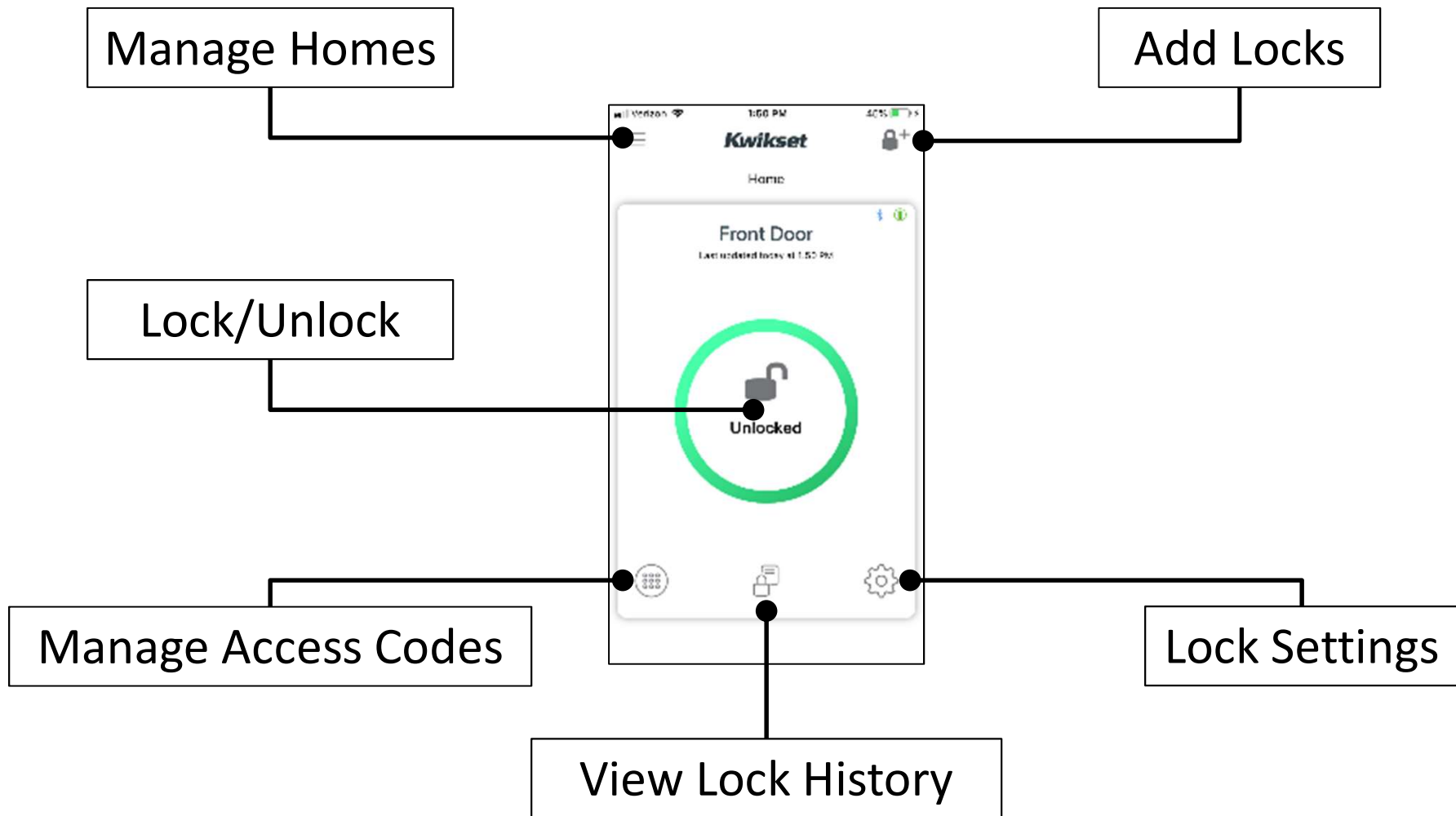
Mechanical Features – Exterior



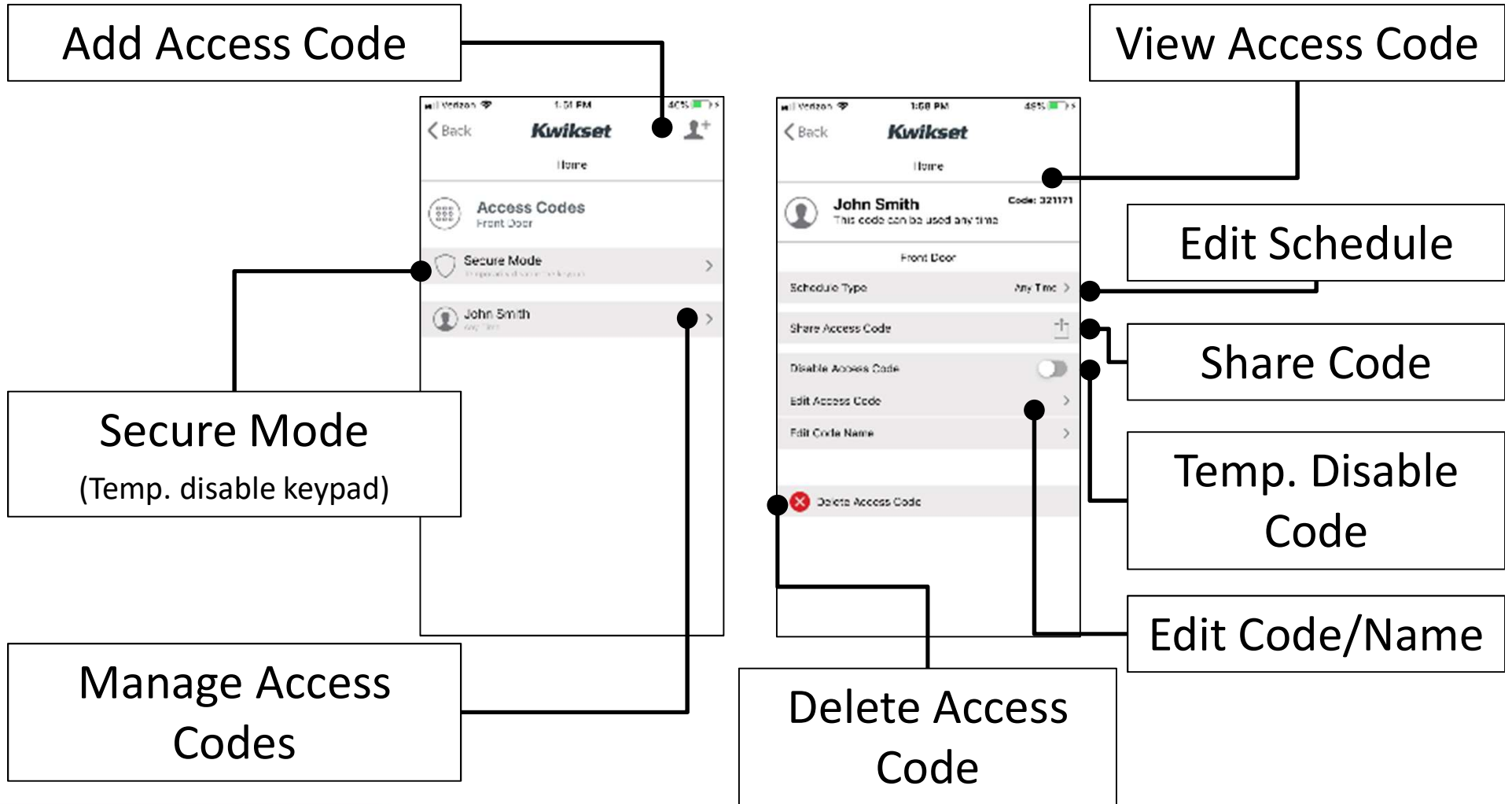
Mechanical Features – Interior



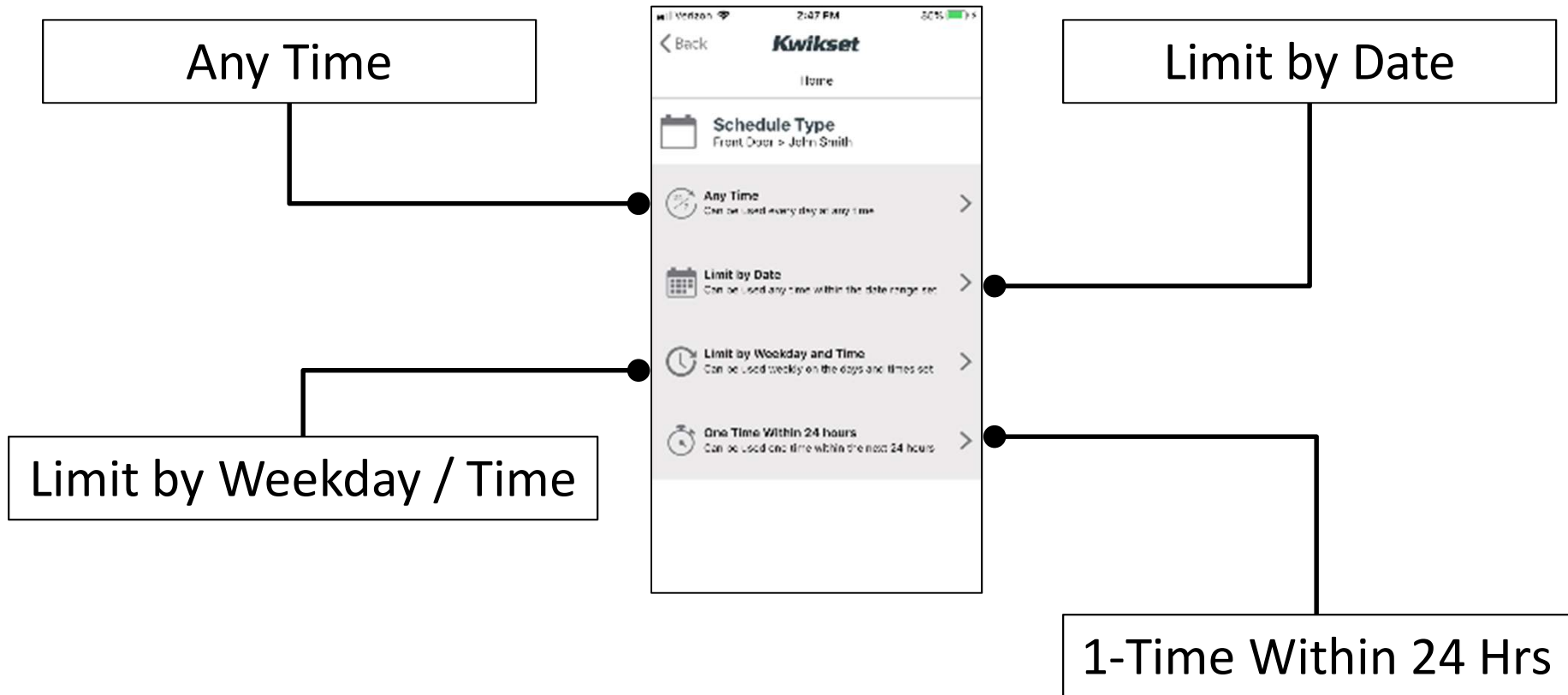
App Features – Main Screen



App Features – Access Codes



App Features – 4 Schedule Types



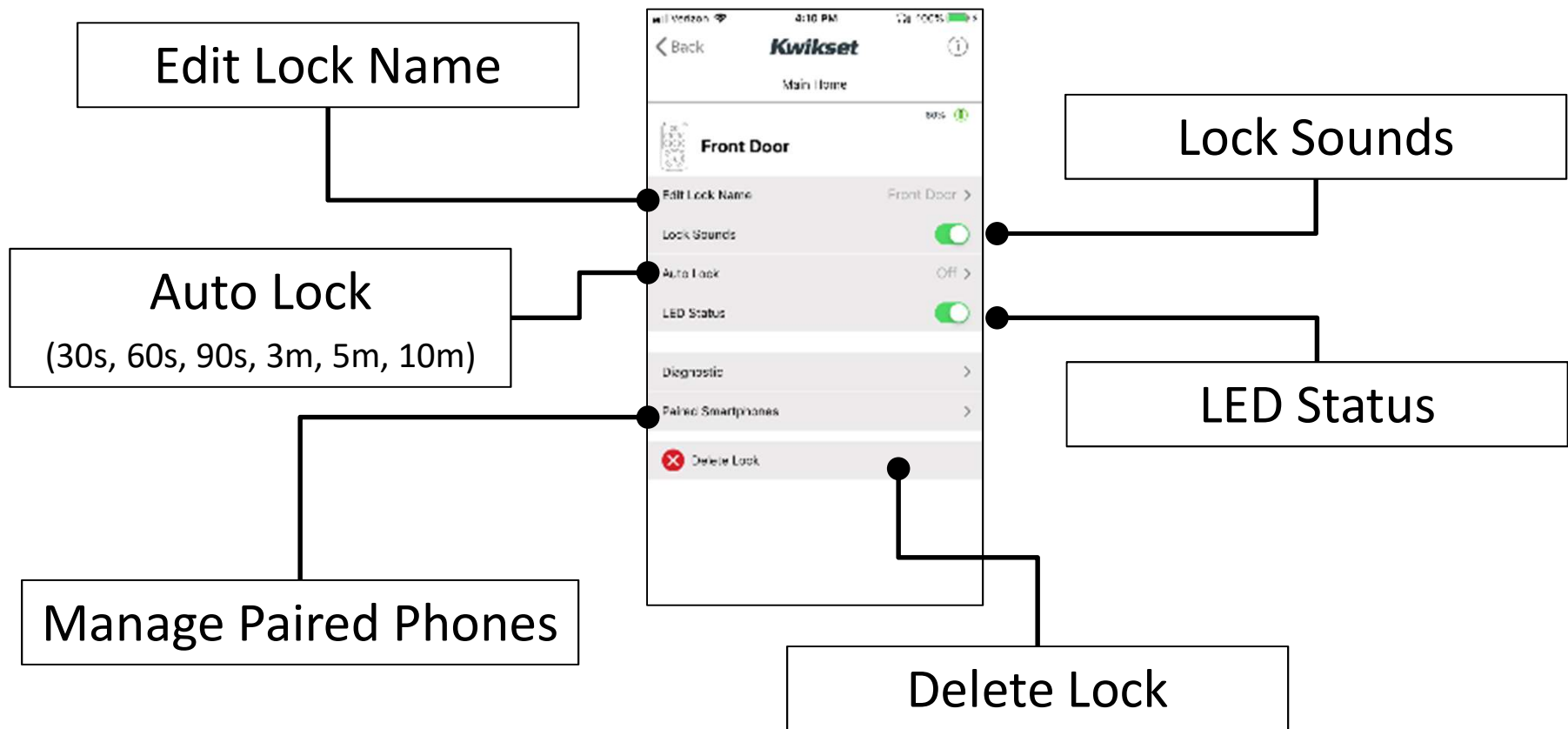
App Features – History

View Lock History

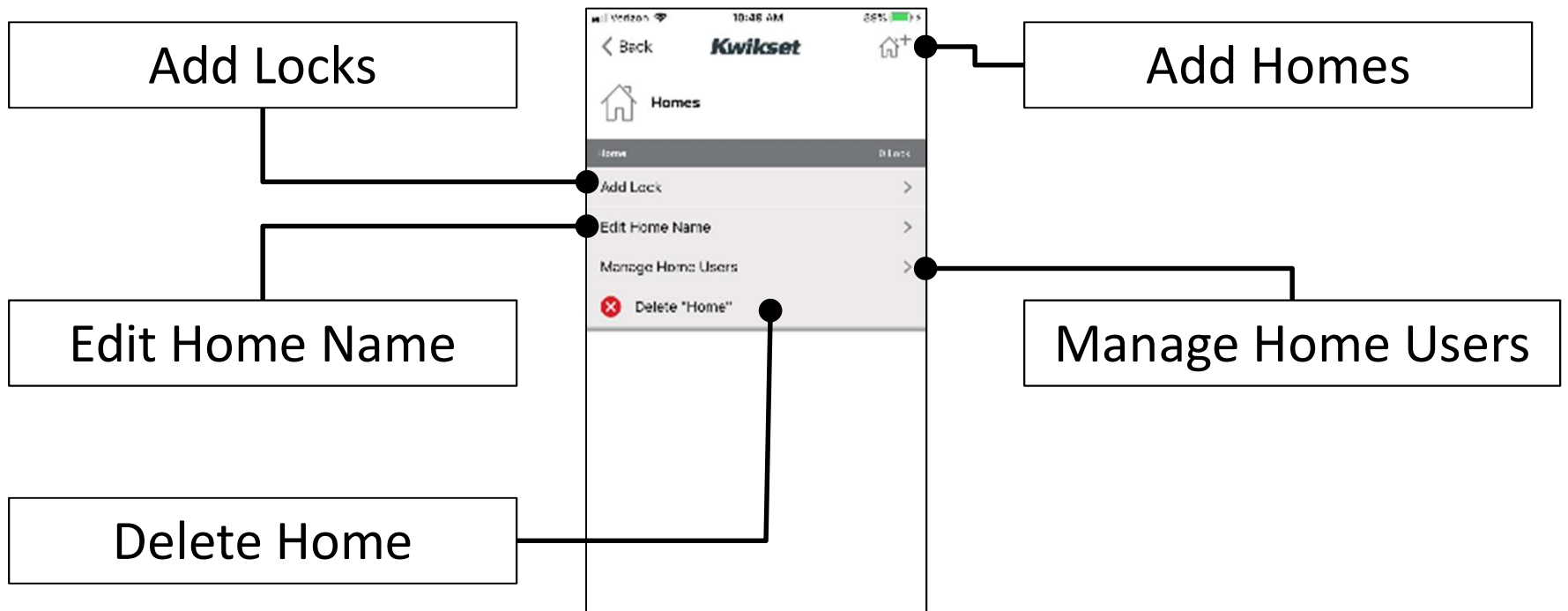
Clear Lock History



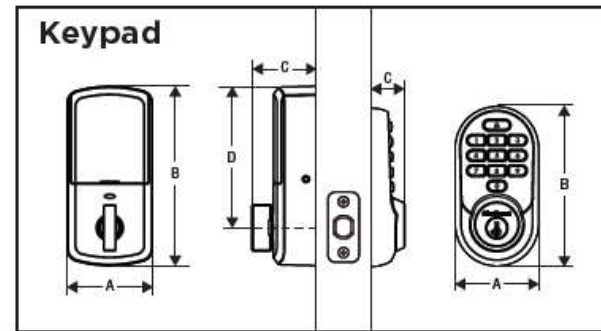
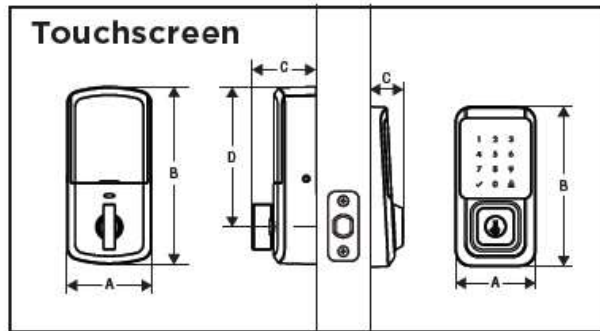
App Features – Lock Settings



App Features – Home Management



Dimensions



Touchscreen	A	B	C	D
Interior	2 ³ / ₄ " (70 mm)	5 ¹³ / ₁₆ " (147 mm)	2 ¹ / ₈ " (53 mm)	4 ⁹ / ₁₆ " (116 mm)
Exterior	2 ²⁸ / ₃₂ " (73 mm)	5 ⁵ / ₈ " (143 mm)	1 ³ / ₁₆ " (30 mm)	---

Keypad	A	B	C	D
Interior	2 ³ / ₄ " (70 mm)	5 ¹³ / ₁₆ " (147 mm)	2 ¹ / ₈ " (53 mm)	4 ⁹ / ₁₆ " (116 mm)
Exterior	2 ²⁸ / ₃₂ " (73 mm)	5 ¹³ / ₃₂ " (137 mm)	1 ³ / ₁₆ " (30 mm)	---

FAQ

- **Can users share eKeys with guests?**
 - HALO doesn't use the same cloud and Bluetooth design as Kevo and therefore doesn't use eKeys.
- **How do users grant guests access if there are no eKeys?**
 - Users can program access codes with the Kwikset app anywhere they have an internet connection and share the codes with guests
- **Can I control HALO from anywhere?**
 - Yes, HALO has Wi-Fi built-in Bluetooth lock so the user will need to be within Bluetooth range (up to 100') to interact with the lock.
 - Some features, such as sharing an existing access code, does not require the user to be within Bluetooth range.
- **Can I control multiple Homes / HALO's from the same smartphone/app?**
 - Yes, you can create and control multiple Homes with multiple HALO deadbolts from the same smartphone/app.
- **How does HALO differ from AURA?**
 - HALO is a premium-priced smart lock with “anywhere” connectivity with a smartphone
 - AURA is an entry-priced smart lock with “local” connectivity with a smartphone while.

Questions?



Kwikset.