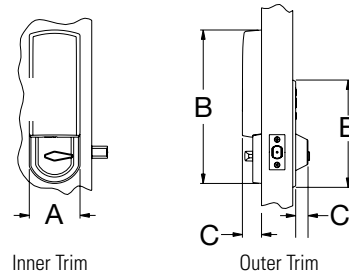


## KWIKSET POWERBOLT®

Door Prep	2-1/8" diameter face hole & 1" diameter latch hole.
Backset	Adjustable to 2-3/8" or 2-3/4".
Door	1-3/8" to 1-3/4" automatic adjustment.
Thickness	
Cylinder	SmartKey Re-Key Technology.
Faceplate	1" x 2-1/4". Round corner standard.
Strikes	Round corner strike 2-3/4" x 1-1/8"
Bolt	1" throw.
Door Handing	Reversible.
Batteries	4 AA.

## POWERBOLT®

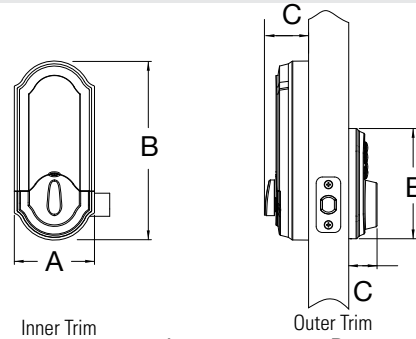


Design	A	B	C
Outer Trim	2-29/32"	6-7/8"	1-1/8"
Inner Trim	3-1/4"	9-27/32"	1-9/32"

## KWIKSET SMARTCODE™ DEADBOLT & CNT DEADBOLT

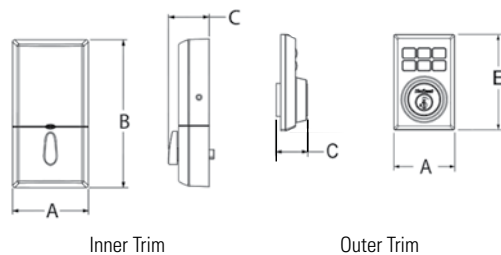
Door Prep	2-1/8" diameter face hole & 1" diameter latch hole.
Backset	Adjustable to 2-3/8" or 2-3/4".
Door	1-3/8" to 1-3/4" automatic adjustment.
Thickness	
Cylinder	SmartKey Re-Key Technology.
Faceplate	1" x 2-1/4". Round corner standard.
Strikes	Round corner strike 2-3/4" x 1-1/8"
Bolt	1" throw.
Door Handing	Reversible.
Batteries	4 AA.

## SMARTCODE™ DEADBOLT



Design	A	B	C
Outer Trim	2-13/16"	4-7/16"	1-3/16"
Inner Trim	3-1/4"	7-1/4"	1-3/4"

## SMARTCODE™ CNT DEADBOLT

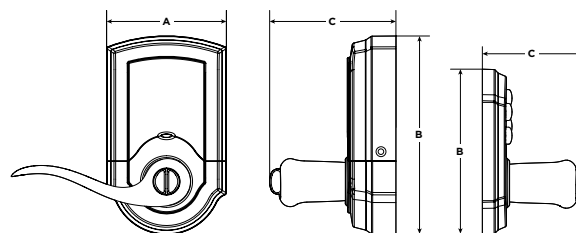


Design	A	B	C
Outer Trim	2-23/32"	4-1/4"	1-3/16"
Inner Trim	3-9/32"	6-13/32"	1-3/4"

## KWIKSET SMARTCODE™ LEVER

Door Prep	2-1/8" diameter face hole & 1" diameter latch hole.
Backset	Adjustable to 2-3/8" or 2-3/4".
Door	1-3/8" to 1-3/4" automatic adjustment.
Thickness	
Cylinder	SmartKey Re-Key Technology.
Faceplate	1" x 2-1/4". Round corner standard.
Strikes	2-1/4" full lip. Round corner.
Bolt	1/2" throw.
Door Handing	Reversible.
Batteries	4 AA.

## SMARTCODE™ LEVER



Design	A	B	C
Outer Trim	2-13/16"	4-7/16"	2-11/16"
Inner Trim	3-1/4"	5-3/8"	3-13/32"

NOTE: 1 year electronic warranty.