



ENGLISH

Signature Series Deadbolt with Home Connect

Installation and User Guide

Parts in the box			
Latch "B" is not included. If needed, please contact Kwikset to order a drive-in latch for your lock.	Interior Assembly		Exterior Assembly
	Traditional 	Contemporary 	Traditional
Mounting Plate 	Fasteners		
Strike 	Cylinder 	Keys 	SmartKey tool

Required tools

4 AA Batteries Ruler Phillips head screwdriver

Additional Tools (depending on application)

Hammer Wood block

Kwikset
1-866-863-6584
www.kwikset.com

1 Prepare the door and check dimensions

If drilling a new door, use the supplied template and the complete door drilling instructions available at www.kwikset.com/doorprep.

<p>A Measure to confirm that the hole in the door is either 2-1/8" (54 mm) or 1-1/2" (38 mm).</p>	<p>B Measure to confirm that the backset is either 2-3/8" or 2-3/4" (60 or 70 mm).</p>	<p>C Measure to confirm that the hole in the door edge is 1" (25 mm).</p>	<p>D Measure to confirm that the door is between 1-3/8" and 1-3/4"* (35 mm and 44 mm*) thick.</p>
--	---	--	--

Note: Additional door preparation may be required for doors with 1-1/2" (38 mm) holes. Consult the deadbolt drilling instructions at www.kwikset.com/doorprep.

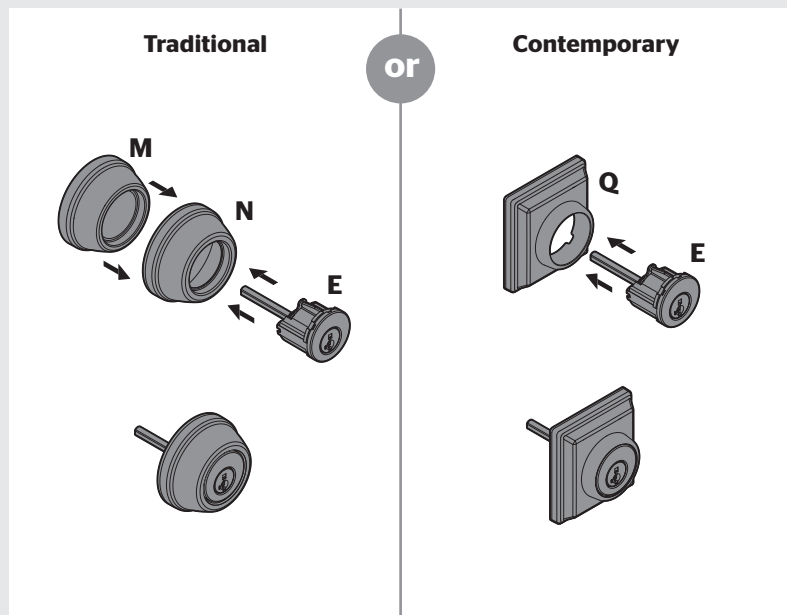
*Service kits for 2-1/4" (57 mm) thick doors are available through Kwikset.

2 Install the latch and strike

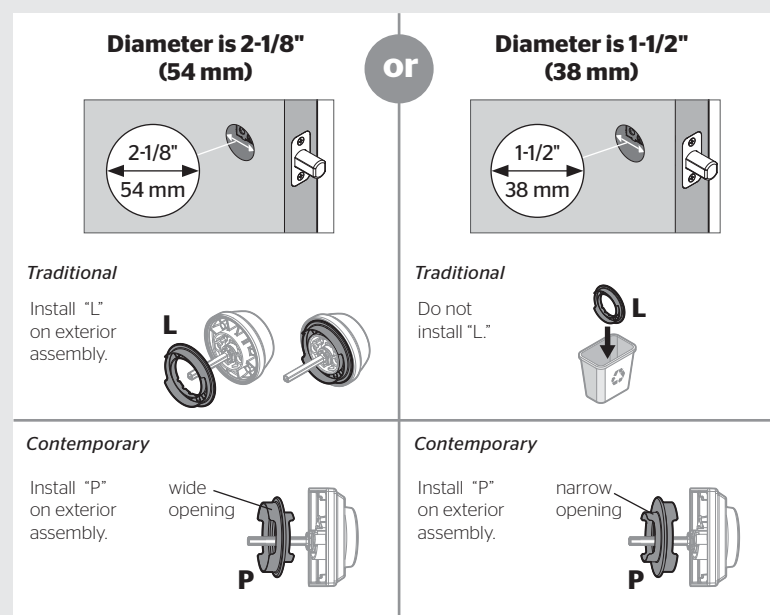
<p>A Is the door edge chiseled?</p> <div style="display: flex; justify-content: space-around;"> <div style="text-align: center;"> <p>YES</p> <p>Use latch "A". If the latch bolt is not already extended, extend the latch bolt as shown.</p> </div> <div style="text-align: center;"> <p>NO</p> <p>Use latch "B" (not included). If the latch bolt is not already extended, extend the latch bolt as shown.</p> </div> </div>

3 Install the exterior assembly and mounting plate

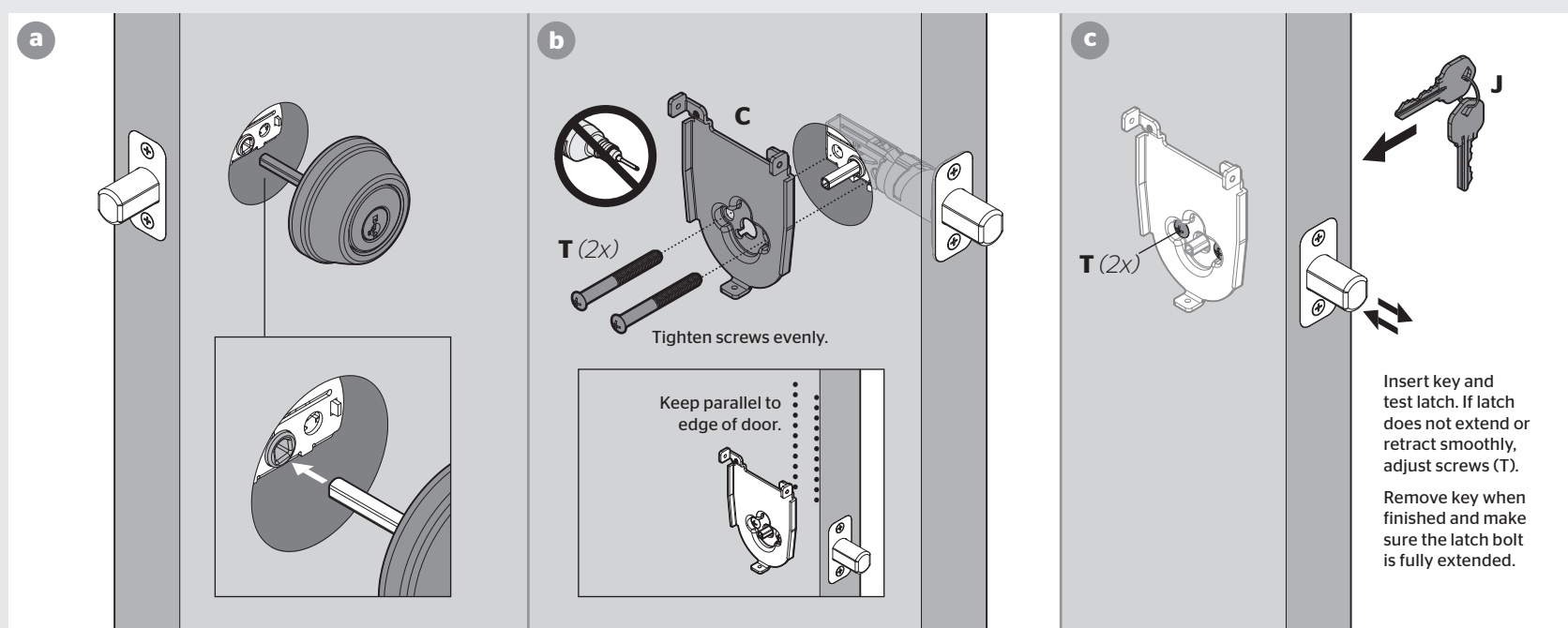
A Install cylinder in exterior assembly.



B What is the diameter of the hole in the door?

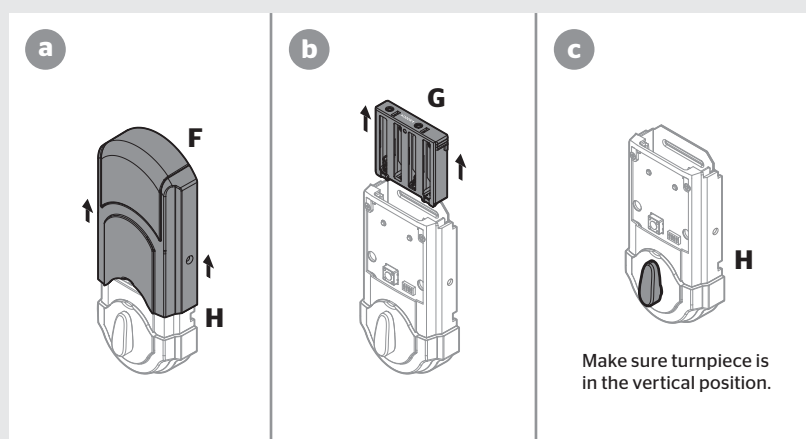


C Install exterior assembly and mounting plate.

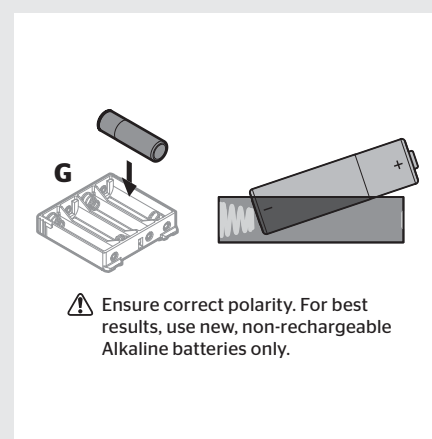


4 Install batteries and pair the lock with your smart home system

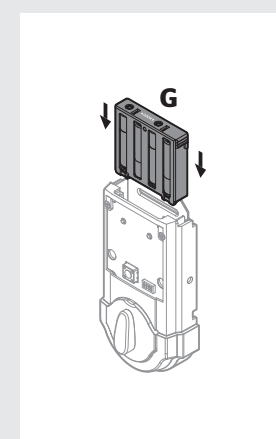
A Remove battery cover and battery pack from interior assembly.



B Install 4 AA batteries in battery pack.

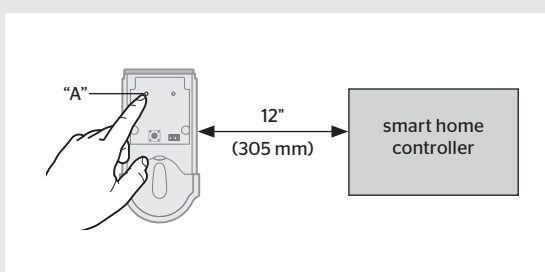


C Install battery pack.



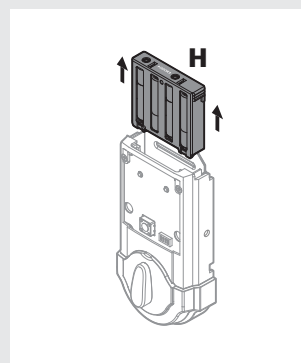
D Initiate the pairing process at your smart home controller. Refer to your smart home system instructions for more information.

E Hold the interior assembly a maximum of 12" (305 mm) from your smart home controller. When prompted by your smart home system to initiate pairing at the lock, press button "A" on the lock interior one time.



The lock and controller must remain stationary for at least 60 seconds during the pairing process.

F If pairing is successful, re-name the lock in your system (if applicable). Then, remove battery pack.



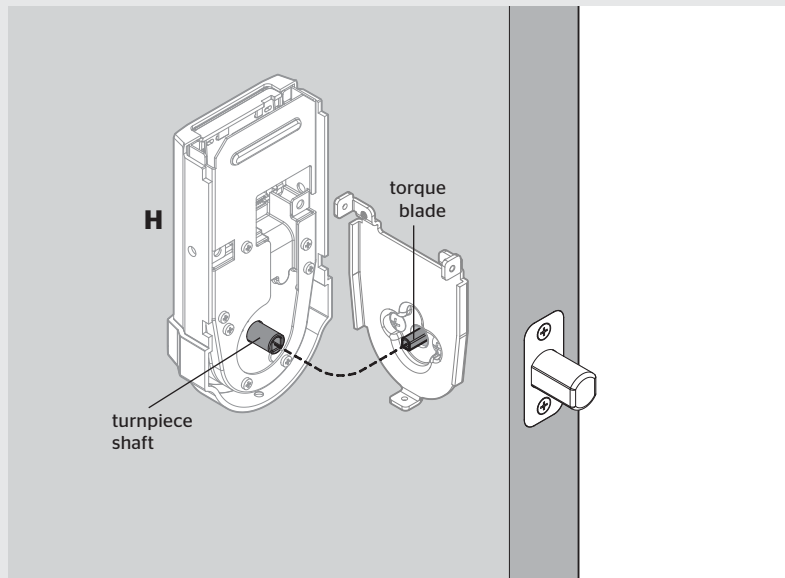
G If pairing is unsuccessful, follow your system's instructions to remove the lock from any other network, then press button "A" on the lock one time.

Repeat steps 4D and 4E.

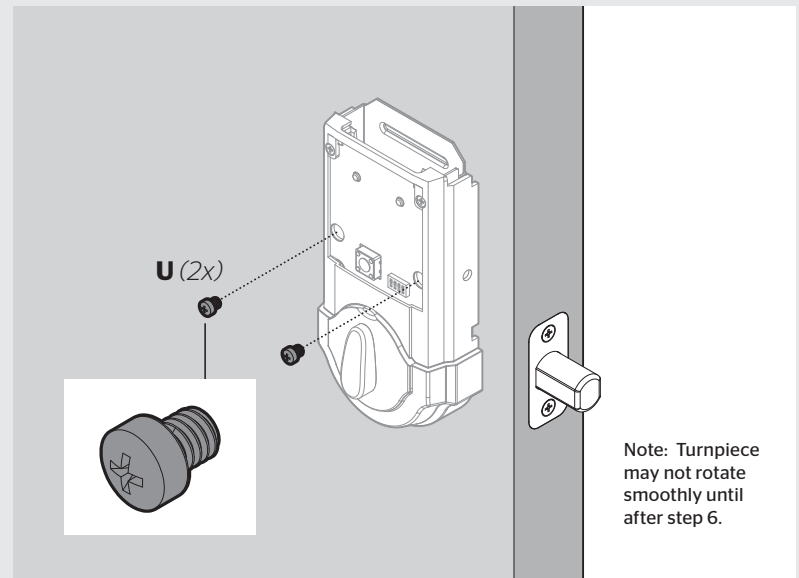
If still unsuccessful, consult the Programming and Troubleshooting Guide on the "Deadbolt with Home Connect" page at www.kwikset.com/wirelesslocks

5 Install interior assembly

A Push turnpiece shaft onto torque blade.



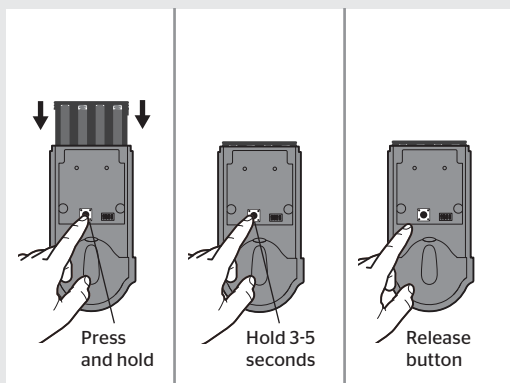
B Secure interior assembly with supplied screws.



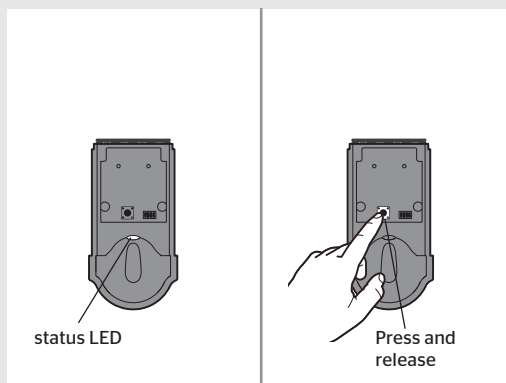
6 Perform the door handing process

⚠ This step will teach the lock the orientation of your door and is crucial for lock operation.

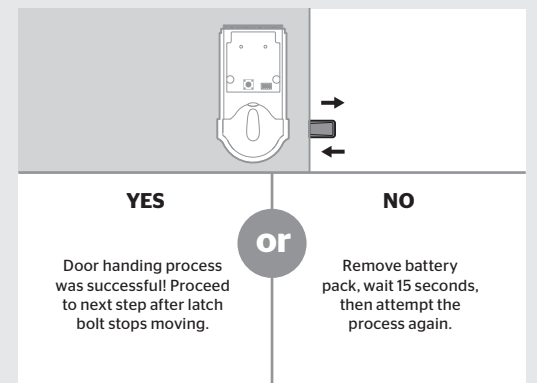
A Make sure the door is open. Insert the battery pack while pressing and holding the Program button. Keep holding the button for 3-5 seconds after the battery pack is inserted, then release the button.



B The Status LED will flash red and green, and the lock will beep. Press and release the Program button again. The latch bolt will retract and extend on its own.



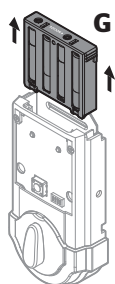
C Did the latch bolt retract and extend on its own?



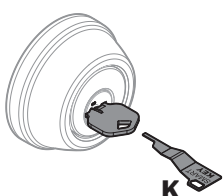
7 Re-key the lock (if needed) and install the battery cover

A Re-key the lock (if needed).

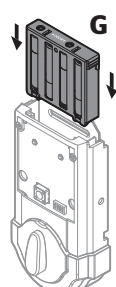
a **IMPORTANT:** Remove battery pack before re-keying.



b Re-key the lock to work with your existing key. See the supplied SmartKey Re-key instructions for more information.

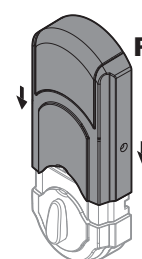


c Reinstall battery pack.

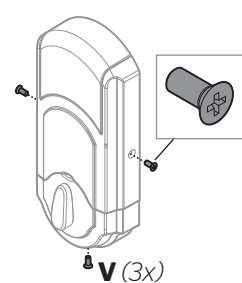


B Install the battery cover.

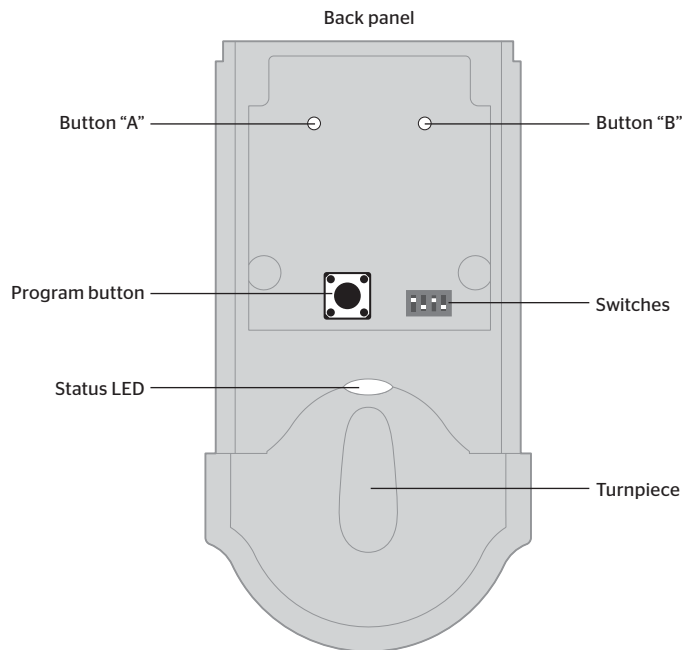
a



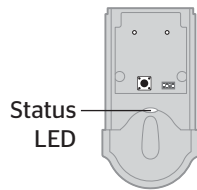
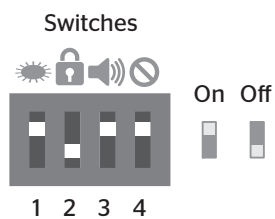
b



Deadbolt Interior at a Glance



Switches and Status LED colors



Switch	Function
1	Door lock status LED blinks every 6 seconds
2	Lock automatically re-locks door 30 seconds after unlocking.
3	Audio
4	Not used.

Color	Lock Status
Blinking green	Unlocked
Blinking amber	Locked
Blinking red	Low battery
Solid red	Door handing process did not work properly. See the online Programming and Troubleshooting Guide.

Troubleshooting

A complete Programming and Troubleshooting Guide is available on the "Deadbolt with Home Connect" page at kwikset.com/wirelesslocks

Factory Reset

A factory reset will restore the lock to factory default settings and remove the lock from your smart home system.

<p>1 Remove battery pack.</p>	<p>2 Press and HOLD the Program button while reinserting the battery pack. Keep holding the button for 30 seconds until the lock beeps and the status LED flashes red.</p>	<p>3 Press the Program button once more. When the LED flashes green and you hear two beeps, the lock has been reset.</p>	<p>4 Perform the door handing process again to teach the lock the orientation of the door, and pair the lock with your smart home system.</p>
-------------------------------	--	--	---

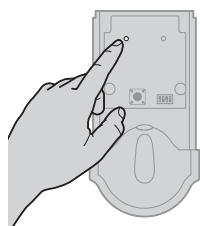
Network Information

Z-Wave System Notes

In order to fully utilize this product, you must have a Z-Wave controller compatible with door locks. Z-Wave is a "Wireless mesh network," and results may vary based on building construction and communication path, with 35 feet+ being typical installed distance from smart home controller. It may be necessary to install additional Z-Wave beaming capable devices that can serve as repeaters to enhance the communication path between the lock and controller for a more robust Z-Wave network.

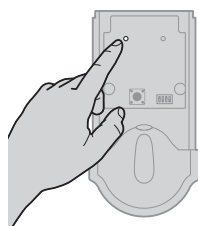
Adding the lock to the network

During the pairing process, press button "A" on the lock interior once.



Removing the lock from the network

Follow your smart home system's instructions to remove the lock from the network. When prompted by the system, press button "A" on the lock interior once.



Important Safeguards

1. Read all instructions in their entirety.
2. Familiarize yourself with all warning and caution statements.
3. Remind all family members of safety precautions.
4. Restrict access to your lock's back panel and routinely check your settings to ensure they have not been altered without your knowledge.
5. Dispose of used batteries according to local laws and regulations.

WARNING: This Manufacturer advises that no lock can provide complete security by itself. This lock may be defeated by forcible or technical means, or evaded by entry elsewhere on the property. No lock can substitute for caution, awareness of your environment, and common sense. Builder's hardware is available in multiple performance grades to suit the application. In order to enhance security and reduce risk, you should consult a qualified locksmith or other security professional.