

LED Lamp Flush Mount Ceiling Fixture

FM3405/09

INSTALLATION SHEET

Please Note:

- All Kuzco LED fixtures come with pre-wired LED module(s).
- Unless instructed to do so, please do not touch any part of the LED module(s) as any unnecessary contact with the module could cause permanent damage.
- For dimming, an ELV (Electronic Low Voltage) dimmer is required.

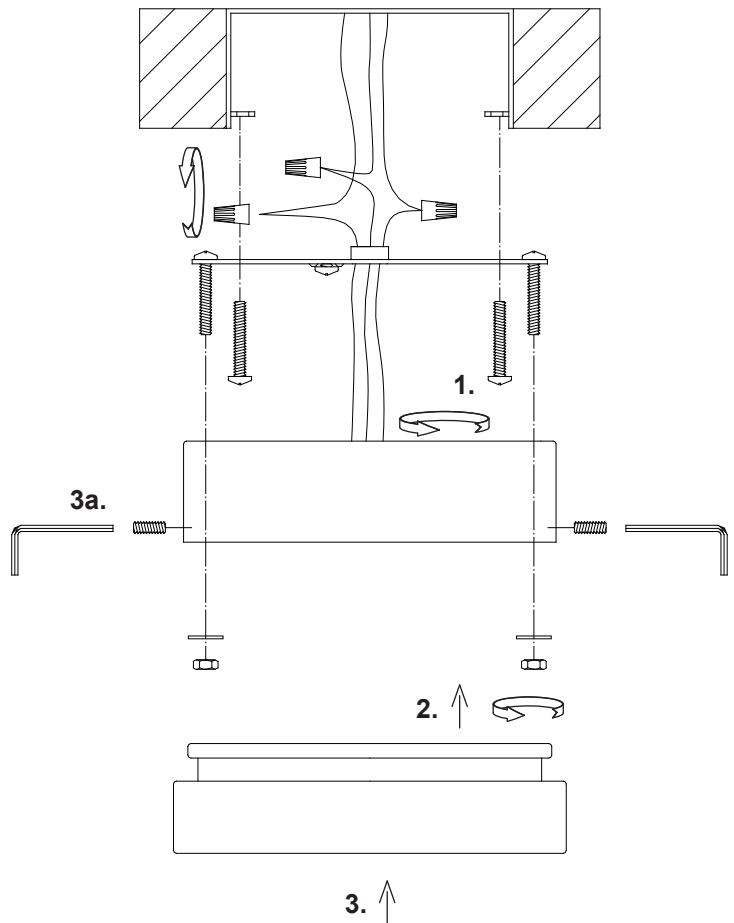
START FROM HERE

- Make sure power is completely off at the fuse box.
- Have your fixture installed by a qualified licensed electrician
- Prepare everything in clear area.
- Wear gloves at all times during this installation.
- Read instructions carefully before you start assembly.
- Keep this instruction sheet for future reference.

Technical Support: 1-877-452-6858

- 1.** Remove the fixture from its original packaging. Remove the canopy mounting plate from within the canopy and attach it to the electrical junction box on the ceiling using the two screws provided in the hardware package.
- 2.** Attach the canopy to the mounting plate, which is attached to the electrical junction box on the ceiling. First attach all wiring with the provided marrets (white to white "N", black to black "L", ground to ground "G"). Push the screws through the holes in the back of the fixture so they are poking through into the center of the fixture. Once this is complete you can tighten the nuts (in a clockwise direction) until the fixture is secured to the ceiling.
- 3.** Install the glass cover to the fixture. The glass cover is installed by gently sliding it into the canopy and then **(3a)** tightening the two set screws on the canopy to firmly secure the glass to the fixture. (Do Not Over Tighten) Once this is complete please make sure that the fixture glass is secured to the fixture before releasing your grip on the glass.

PLEASE NOTE: Use Allan wrench provided to screw in the set screws for the glass.
- 4.** You have now completed the installation of your fixture, please enjoy.



KUZCO

L I G H T I N G

19054 28th Avenue, Surrey, BC, Canada V3Z 6M3
T: 604-538-7162 TF: 1-855-85-KUZCO F: 604-538-7196
W: kuzcolighting.com
20150617