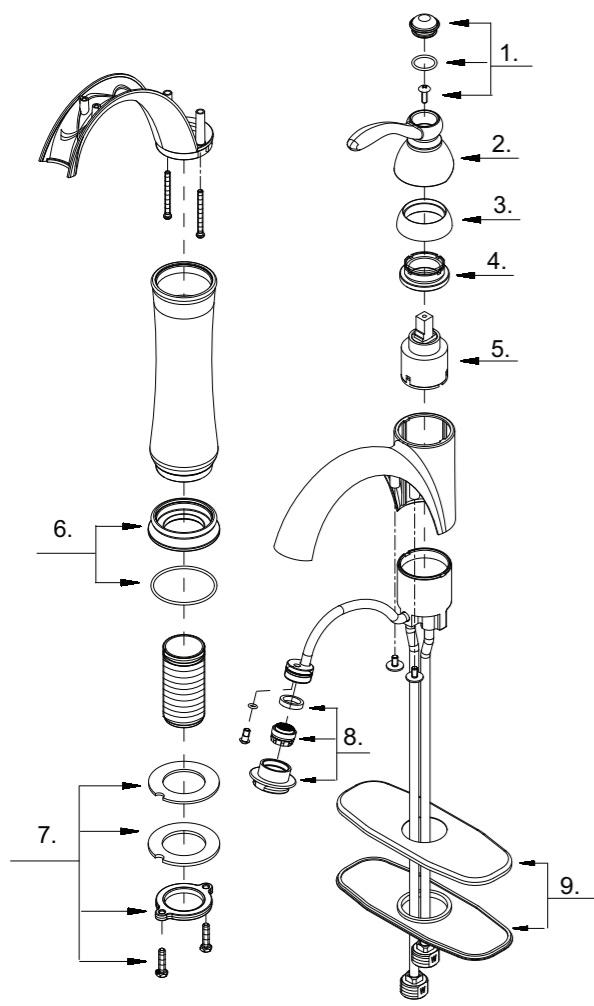


## Replacement Parts

Keep this manual for ordering replacement parts.



- 1 Handle Cap
- 2 Metal Handle
- 3 Trim Cap
- 4 Locking Nut
- 5 Ceramic Disc Cartridge
- 6 Base Trim Ring
- 7 Mounting Hardware Assembly
- 8 Aerator
- 9 Cover Plate & Putty Plate

## Trouble - Shooting

If you've followed the instructions carefully and your faucet still does not work properly, take these corrective steps.

Problem	Cause	Action
Leakage under the handle.	Adjusting ring or cap has come loose.	Tighten the adjusting ring or cap.
Aerator leaks or has an inconsistent water flow pattern.	Aerator is dirty or misfitted.	Unscrew the aerator to check rubber packing or replace the aerator.
Water will not shut off completely.	Dirty or worn out plastic washer in the cartridge.	Remove the handle and the cartridge to check if the ceramic dish is dirty or permanently damaged.

Contact Us Toll-Free at 1-800-775-0703; or visit our website at [www.kraususa.com](http://www.kraususa.com). © 2008-2009 Kraus USA Inc.

# Kräus®

Where Creativity Is Endless

Dear Valued Customer,

Kraus would like to take this opportunity to thank you for purchasing Kraus products. It is our sincere hope that you are completely satisfied with your new purchase. We welcome any questions or comments you may have, and look forward to assisting you in the future.

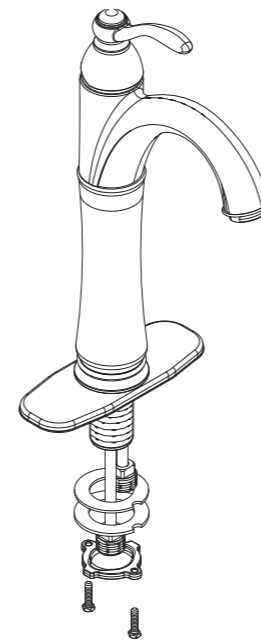
Sincerely,  
Kraus Customer Service Department.



## Single Handle Lavatory Faucet

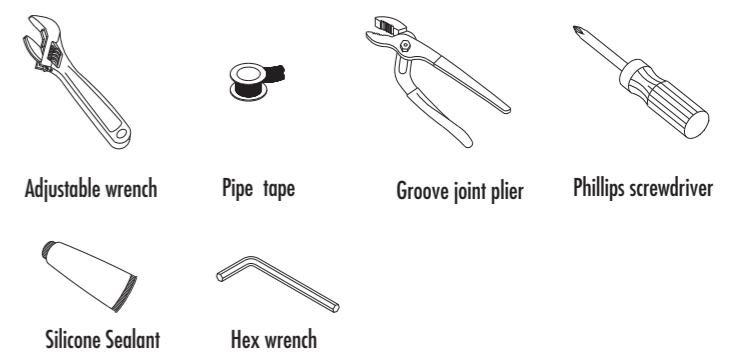
### Before Your Installation

Check to make sure you have the following parts indicated below:



Model
FVS-1005-CH
FVS-1005-BN
FVS-1005-ORB

### Tools You Will Need



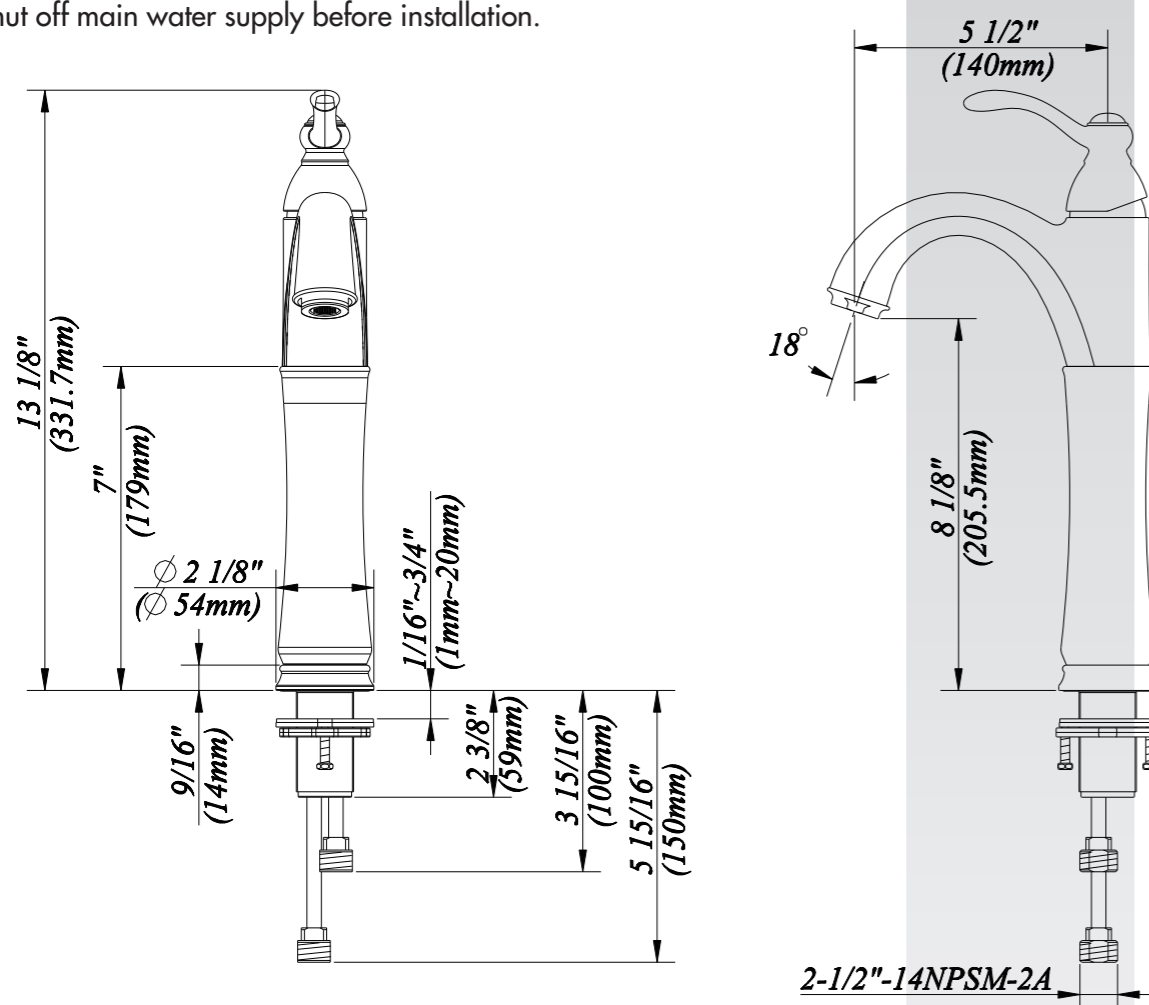
#### SAFETY TIPS

- If you use soldering during the faucet installation, the seats, cartridges and washers must be removed before using the flame. Otherwise, warranty will be void on these parts.
- Cover your drain to avoid losing parts.

Contact Us Toll-Free at 1-800-775-0703; or visit our website at [www.kraususa.com](http://www.kraususa.com). © 2009-2010 Kraus USA Inc.

## Faucet Installation Procedure

Shut off main water supply before installation.

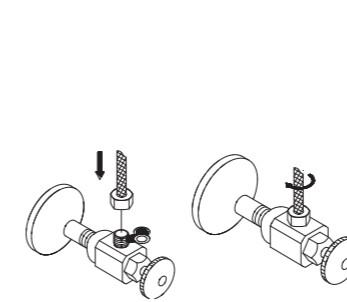


The fittings should be installed by a licensed plumber.

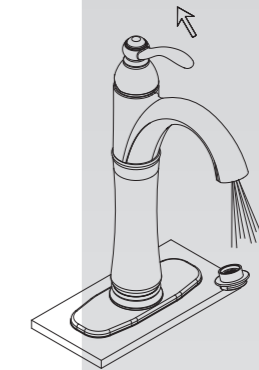
- 1 Install faucet body and base trim ring through top of sink.
- 2 From underneath the sink, replace mounting hardware assembly. Tighten lock nut to secure the body.
- 3 Apply pipe tape on threads of the inlet port. Tighten end of shank with wrench and slip hose into the inlet port.

## MAINTENANCE

Your new faucet is designed for years of trouble-free performance. Keep it looking new by cleaning it periodically with a soft cloth. Avoid abrasive cleaners, steel wool and harsh chemicals as these will dull the finish and void your warranty.



- 4 Apply pipe tape onto threads of the water supply. Tighten the hose onto water supply.



- 5 After installing faucet, remove aerator and turn on water to remove any left of debris. Re-assemble aerator.

## KRAUS® Brand Kitchen Faucets Limited Lifetime Warranty

KRAUS is proud to offer its customers the strongest, most durable ceramic cartridges in all solid brass Kitchen Faucets it manufactures. KRAUS guarantees all of our products to be free of defect in materials and craftsmanship. All KRAUS BRAND Kitchen Faucets carry a limited lifetime warranty from the original date of purchase.

If a product fails due to defect in material or craftsmanship during the warranty period, KRAUS will repair or replace the items at our sole discretion. Warranty does not apply when the item has been tampered with, misused, improperly installed, altered, or damaged due to abuse or accident. Proof of purchase (original sales receipt) must be provided to KRAUS for all warranty claims. Please contact one of our representatives if you need any additional details.

All KRAUS products must be installed by a licensed professional plumber or contractor to avoid any improper use or installation.

IN NO EVENT SHALL KRAUS BE LIABLE FOR ANY INCIDENTAL, CONSEQUENTIAL OR SPECIAL DAMAGES, INSTALLATION COST, LABOR, TRAVEL TIME, FREIGHT COSTS INCURRED, LOST PROFITS, OR CONTINGENT LIABILITIES.

KRAUS USA Inc. makes no representation that its products comply with any or all local building or plumbing codes. It is the consumer's responsibility to determine local code compliance.

This warranty extends to the original purchaser and first consumer.

## MAINTENANCE

Your new faucet is designed for years of trouble-free performance. Keep it looking new by cleaning it periodically with a soft cloth. Avoid abrasive cleaners, steel wool and harsh chemicals as these will dull the finish and void your warranty.



AB1953 Compliant