

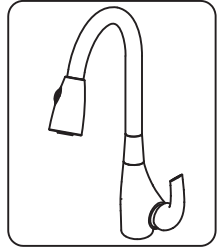
### Product Description and Measurements

#### *Installation Instruction*

---

#### *Single Lever Pull Out Kitchen Mixer*

---



### Thank You

Dear Valued Customer,  
Kraus would like to take this opportunity to thank you for purchasing Kraus products. It is our sincere hope that you are completely satisfied with your new purchase. We welcome any questions or comments you may have, and look forward to assisting you in the future.

Sincerely,  
Kraus customer service department.

### Prior To Installation Steps

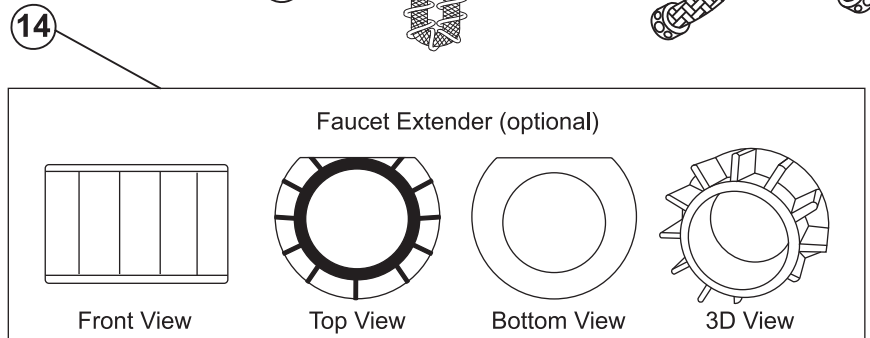
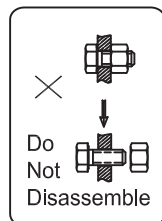
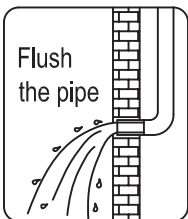
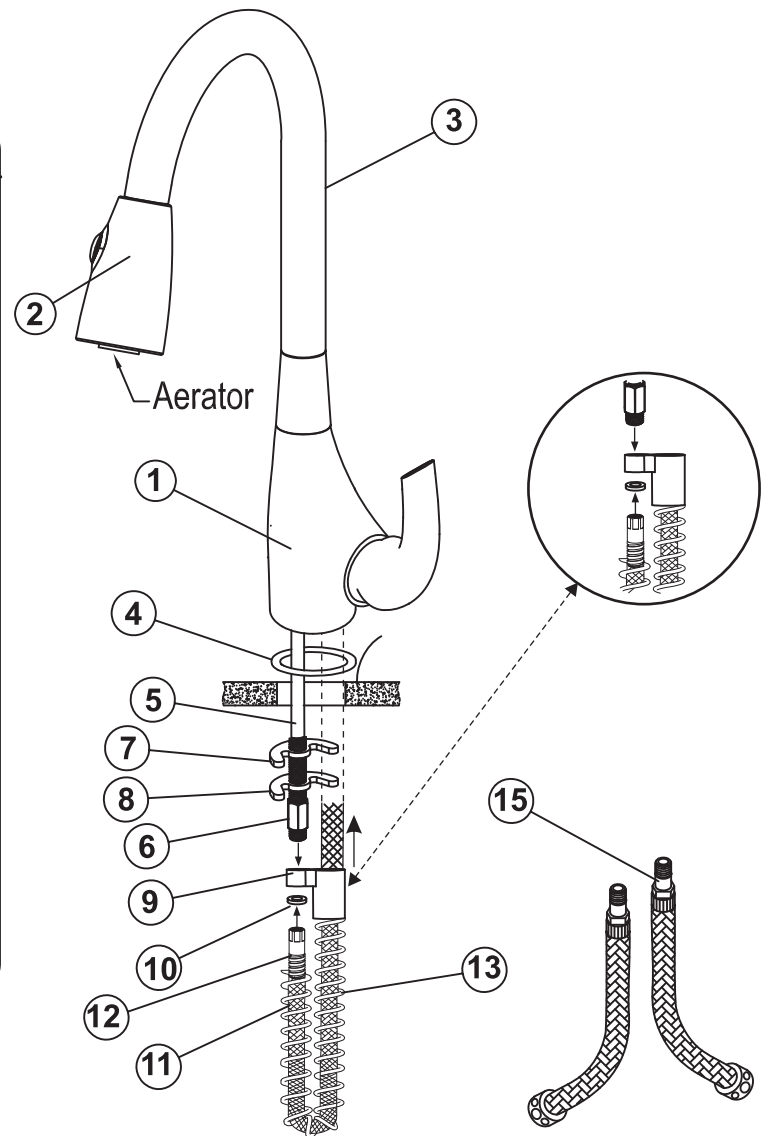
1. Unpack your new product and ensure that all the parts are contained in the packaging.
2. Keep the product in its original box until you are ready to install it.
3. Shut off the water supply if replacing a previously-installed faucet.
4. Observe all plumbing and building codes in your area.
5. It is recommended that installation of the product be done by a professional plumber.

### Installation Steps

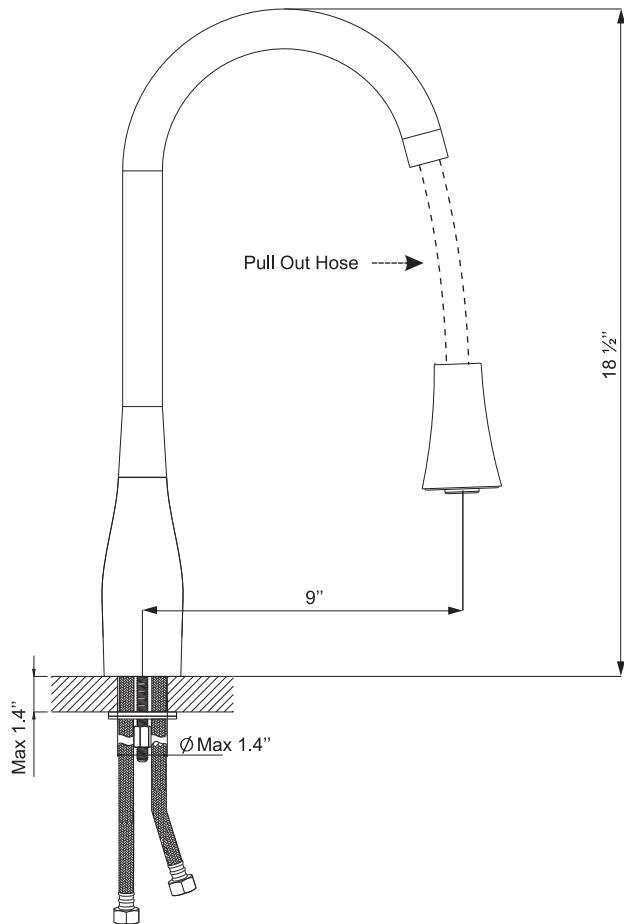
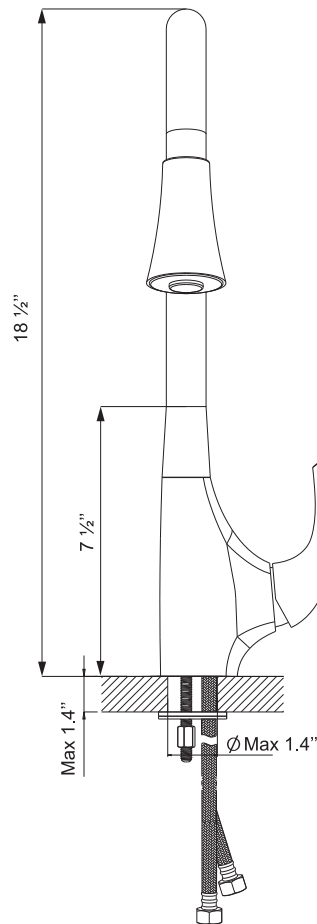
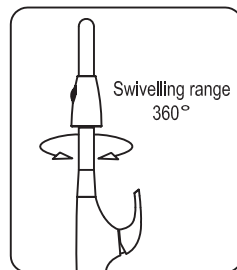
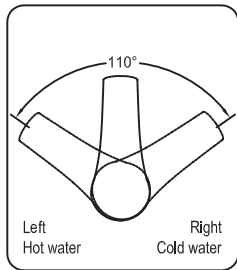
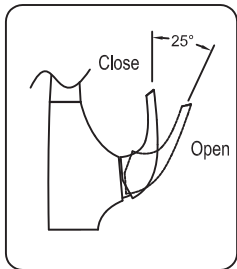
1. Shut off all water supply prior to installation.
2. Remove the metal spring (#13) by disassembling it from the hose.
3. Screw on the aerator head (#2) onto the spout (#3). Make sure that a black rubber washer is attached to the end of the hose prior to attaching the aerator head.
4. Place the black rubber o-ring (#4) onto the body (#1).
5. Unscrew the brass nut (#6) from the brass screw (#5).
6. Place the faucet on the countertop.
7. If the countertop is thin or the faucet is being mounted on the sink itself, place the countertop extender (#14) from underneath the countertop and tighten it onto the brass screw. **\*\*Optional\*\***
8. Place the rubber washer (#7) and then the metal washer (#8) onto the brass screw from underneath the countertop.
9. Tighten the brass nut (#6) onto the brass screw (#5).
10. Place the plastic enclosure (#9) onto the hose and situate the smaller opening onto the brass screw (#5).
11. Place the spring (#13) onto the hose.
12. Place the red hard washer (#10) into the hose inlet (#12) and screw the hose (#11) (with the spring already attached) onto the brass screw (#5).
13. Screw in the hot and cold waterlines (#15) and attach them to the water supply.

### Specification Parts List

Code	Parts List	Quantity
1	Faucet Body	1
2	Aerator Head	1
3	Spout	1
4	Rubber O-Ring	1
5	Brass Screw	1
6	Brass Nut	1
7	Rubber Washer	1
8	Metal Washer	1
9	Plastic Enclosure	1
10	Red Hard Washer	1
11	Hose	1
12	Hose Inlet	1
13	Spring	1
14	Faucet Extender (optional)	1
15	Hot & Cold Water Lines	2



### Installation Instructions



### Care & Maintenance

In order to maintain your faucets original finish simply rinse with warm clean water and blot dry with a clean soft cloth only.

Avoid using corrosive detergents, polishers, scrapers or any other abrasive materials. In case a buildup of dirt or mineral deposits should occur, gently remove it using a mild detergent or a mixture of vinegar with water to soften the build up and clear it away. Rinse thoroughly and immediately with water to assure no detergent remains on the surface and dry with a soft cloth.

At Kraus your satisfaction with quality and durability of our products is extremely important to us. Therefore, we hope for you to keep our recommendation as a reminder, in order to prolong the lifespan of your faucet.