

Kräus[®]

INSTALLATION MANUAL

Single Lever Pull Out Kitchen Faucet

KPF-1602

Congratulations on your new Kraus purchase!

We would like to take this opportunity to thank you for your business with Kraus USA. It is our sincere hope that you are completely satisfied with your Kraus experience. We welcome any questions or comments you may have, and look forward to assisting you in the future.

For more information about Kraus products, please visit our website at:
www.kraususa.com.

In order to allow us to serve you better, we recommend registering your new Kraus product at: www.kraususa.com/product-registration

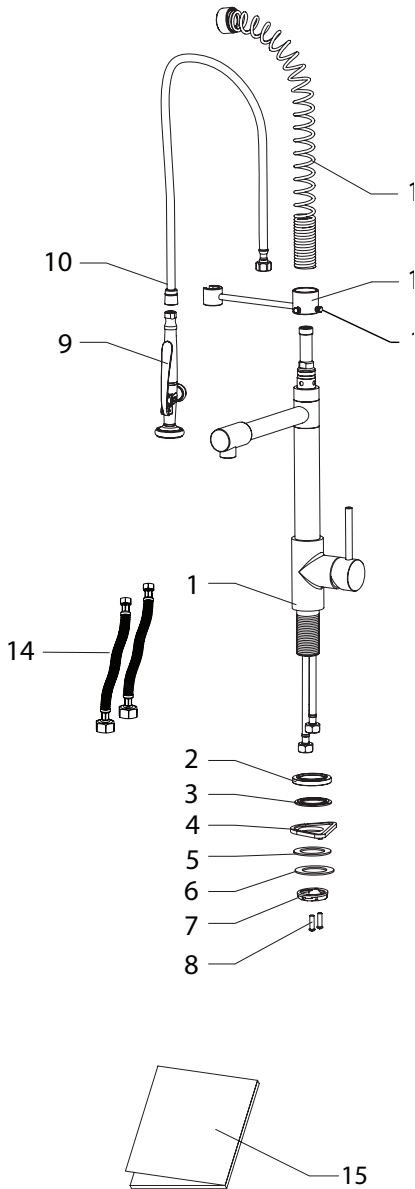
Sincerely,

Kraus Customer Service Department

Prior to Installation

- Make sure that the cold and hot water lines are turned off
- Wrap all threaded connections with Teflon tape. Always wrap in a clockwise direction
- Cover your drain to avoid losing parts
- Do not disassemble the main faucet body, as it has been installed & commissioned correctly & precisely before delivery from the factory
- To keep the faucet from jamming, flush the water pipe before installation
- Using condition: Working pressure at 0.05-1.0MPa (including cold & hot water pressure) with applicable water temperature: 4°C-90°C
- The minimum distance between the faucet hole and the wall/backsplash is 3.5"
- The faucet hole size must be between 1-3/8" and 1-1/2"
- Check to make sure you have all included parts (page 2)
- Do not assemble parts 9 -12 until step 4

KPF-1602 Diagram and Parts List



Included Parts:

1. Faucet Body
2. Base
3. Base O-Ring
4. Plastic Washer - Optional
(Top Mount Sinks Only)
5. Rubber Washer
6. Metal Washer
7. Mounting Nut
8. Mounting Screws (2)
9. Spray Head
10. Spray Hose
11. Spring
12. Sprayer Holder
13. Thumb Screws (2)
14. Hot and Cold Waterlines
15. Manual

Tools you will need:

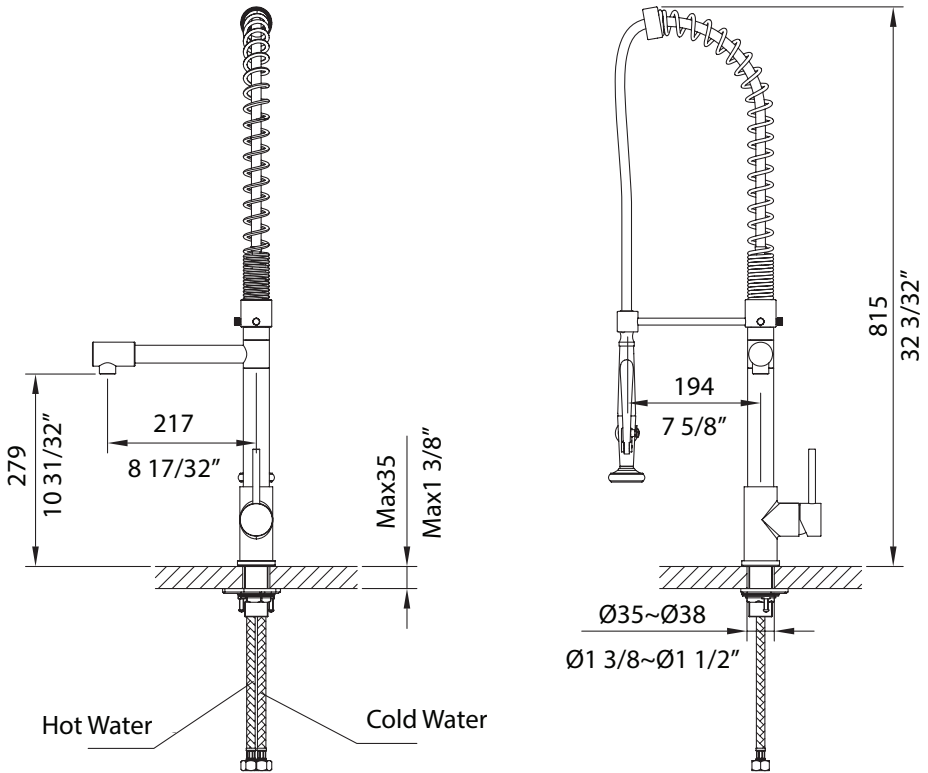


Wrench



Phillips Screwdriver

Dimension Drawings

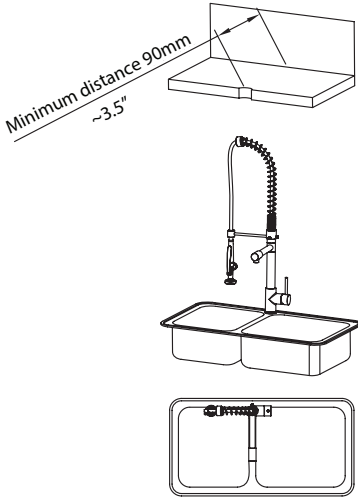


Safety Tips

- If soldering the water connections when installing the faucet, remove the O-rings, cartridges, and washers before applying any heat
- Protect your eyes with safety glasses when cutting or soldering
- Do not overtighten fixing screws/nuts. Tighten finger-tight, then use a wrench/screwdriver to tighten the fixing screw/nut until snug

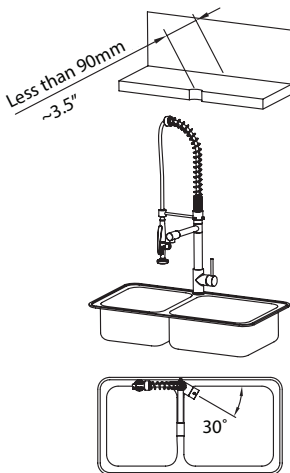
Faucet Installation Procedures

Installation Method 1



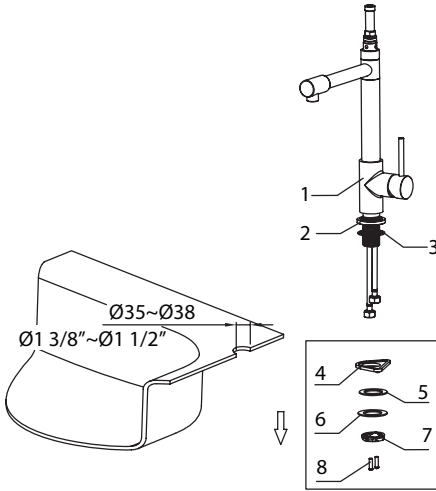
When possible, the minimum distance between the faucet hole and the wall should be 3.5".

Installation Method 2 (optional)



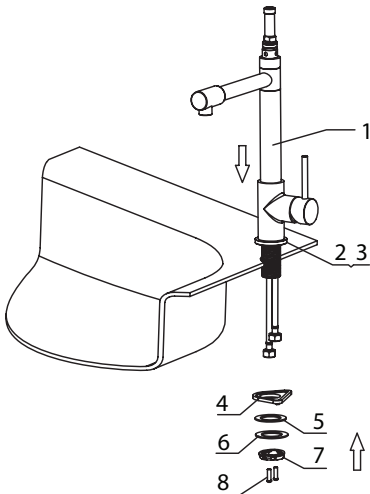
If circumstances require the distance between the faucet hole and the wall to be less than 3.5," position the faucet lever 30° to 90° off the wall to allow for full operation.

Step 1



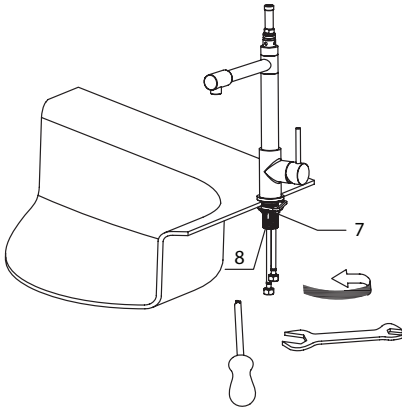
Remove the mounting screws (8), mounting nut (7), metal washer (6), rubber washer (5), and plastic washer (4) from the main faucet (1). The base (2) and base O-ring (3) should remain on the faucet body.

Step 2



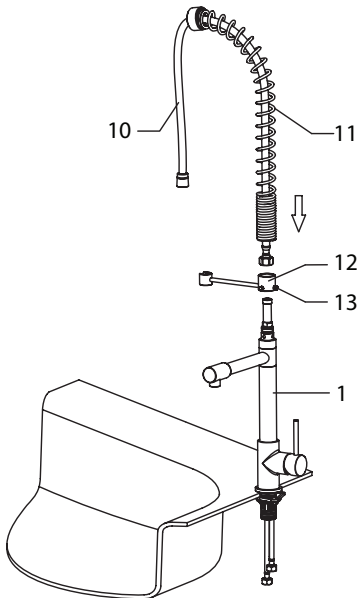
Insert faucet body into the hole on the deck with the base (2) and base O-ring (3) attached, then install plastic washer (4), rubber washer (5), metal washer (6), mounting nut (7), and mounting screws (8) from underneath the sink.

Step 3



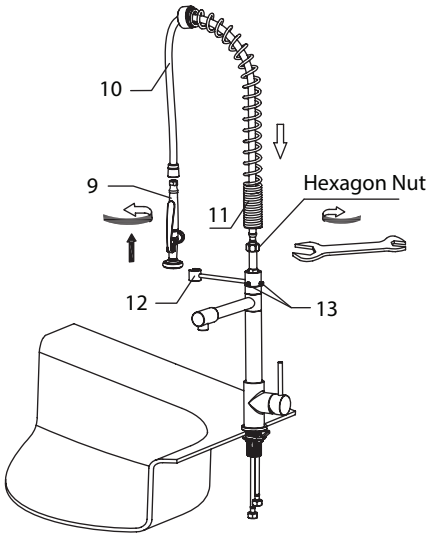
After adjusting the direction of the faucet body (1), tighten the mounting nut (7) until snug and tighten the mounting screws (8) to the nut with a Phillips head screwdriver until snug.

Step 4



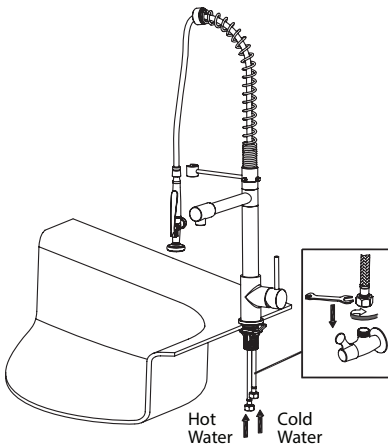
Situate the sprayer holder (12) onto the faucet body (1), then connect the sprayer hose (10) to the faucet body (1) and finger tighten.

Step 5



Tighten the hexagon nut of sprayer hose (10) with a wrench until snug. Insert the spring (11) into sprayer holder (12). After adjusting the direction of sprayer holder (12) to the desired location, tighten thumb screws (13). Connect sprayer (9) to the sprayer hose (10); finger-tighten, then tighten with wrench until snug.

Step 6



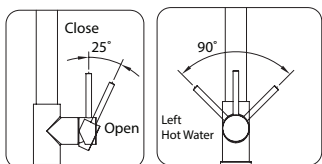
Connect and tighten hot and cold waterlines (14) to the angle stops and tighten with a wrench until snug. Turn on the water supplies and check for leaks.

Installer Tip

If facing faucet, the hot water connector is to the left & cold water connector is to the right.

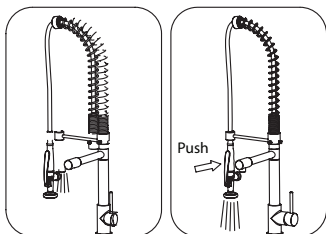
Usage

How to operate the handle:



1. Raise the lever handle to turn on the water. Push down to turn off.
2. Turn the lever handle to the left to increase hot water flow, turn to the right to increase cold flow.

Sprayer:



1. To activate sprayer, turn on water with lever and squeeze sprayer.

Care & Maintenance

*To keep the product clean & shining, follow the steps below:



1. Rinse with clean water & dry with a soft cloth
2. Do not clean with soaps, acid, polish, abrasives, or harsh cleaners
3. Do not use a cloth with a coarse surface
4. Unscrew the aerator and clean when necessary

*This installation manual is subject to change without further notice.

Trouble - Shooting

If you have followed the instructions carefully and your faucet still does not work properly, take the following corrective steps:

PROBLEM	CAUSE	ACTION
Leakage under the handle	Locking nut has come loose	Unscrew the lever on the handle by hand. Loosen set screw with a hex wrench. Remove the handle and unscrew trim cap by hand. Tighten locking nut with an adjustable wrench
Aerator drips or has inconsistent water flow pattern	Aerator is dirty or not seated properly	Unscrew aerator by hand and clean out debris
Water will not shut off completely	Cartridge may be defective	Unscrew the lever on the handle by hand. Loosen set screw with a hex wrench (2.5 mm). Remove the handle and unscrew trim cap by hand. Unscrew the locking nut with an adjustable wrench. Remove ceramic disc cartridge. Check for cracks
Leaking between hose and faucet body or spray head	Hose may be loose or washers are not seated correctly in the hose connections	Tighten the hexagon nut with a wrench and make sure the washers are seated correctly

Codes/Standards Applicable:

Specified model meets or exceeds the following: ANSI/ASME A112.18.1, cUPC, AB1953

KRAUS Brand Lavatory Faucets Limited Lifetime Warranty

KRAUS is proud to offer its customers the strongest, most durable ceramic cartridges in all of its solid brass Lavatory Faucets. KRAUS guarantees that all of its products are free of defect in materials and craftsmanship. All KRAUS BRAND Lavatory Faucets carry a limited lifetime warranty from the original date of purchase.

If a product fails due to defect in material or craftsmanship during the warranty period, KRAUS will repair or replace the items at its sole discretion. Warranty does not apply when the item has been tampered with, misused, improperly installed, altered, or damaged due to abuse or accident. Proof of purchase (original sales receipt) must be provided to KRAUS for all warranty claims. Please contact one of our representatives for any additional details.

All KRAUS products must be installed by a licensed professional plumber or contractor to avoid any improper use or installation.

IN NO EVENT SHALL KRAUS BE LIABLE FOR ANY INCIDENTAL, CONSEQUENTIAL, OR SPECIAL DAMAGES, INSTALLATION COST, LABOR, TRAVEL TIME, FREIGHT COSTS INCURRED, LOST PROFITS, OR CONTINGENT LIABILITIES.

KRAUS USA Inc. makes no representation that its products comply with any or all local building or plumbing codes. It is the consumer's responsibility to determine local code compliance.

This warranty extends to the original purchaser and first consumer.

HELP LINE

For additional assistance at any point in the installation process, please call us at 1.800.775.0703 or email us at info@kraususa.com

Our customer service hours are Monday – Friday, 9am – 6pm EST.
Be sure to visit our website at www.kraususa.com.

Kräus®

www.kraususa.com