

KRAUS BRAND BATHROOM FAUCETS LIMITED LIFETIME WARRANTY

KRAUS is proud to offer its customers the strongest, most durable ceramic cartridges in all solid brass Bathroom Faucets it manufactures. KRAUS guarantees all products to be free of defect in materials and craftsmanship. All KRAUS BRAND Bathroom Faucets carry a limited lifetime warranty from the original date of purchase.

If a product fails due to defect in material or craftsmanship during the warranty period, KRAUS will repair or replace the items at its sole discretion. Warranty does not apply when the item has been tampered with, misused, improperly installed, altered, or damaged due to abuse or accident. Proof of purchase (original sales receipt) must be provided to KRAUS for all warranty claims. Please contact one of our representatives if you need any additional details.

All KRAUS products must be installed by a licensed professional plumber or contractor to avoid any improper use or installation.

IN NO EVENT SHALL KRAUS BE LIABLE FOR ANY INCIDENTAL, CONSEQUENTIAL OR SPECIAL DAMAGES, INSTALLATION COST, LABOR, TRAVEL TIME, FREIGHT COSTS INCURRED, LOST PROFITS, OR CONTINGENT LIABILITIES.

KRAUS USA Inc. makes no representation that its products comply with any or all local building or plumbing codes. It is the consumer's responsibility to determine local code compliance.

This warranty extends to the original purchaser and first consumer.

Contact Us Toll-Free at 1-800-775-0703; or visit our website at www.kraususa.com ©2008-2011 Kraus USA Inc.

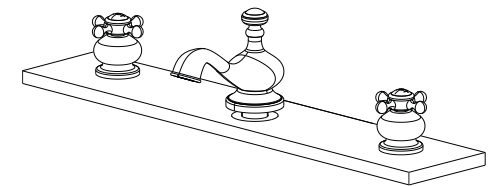


Installation Manual
Bathroom faucet

Dear Valued Customer,

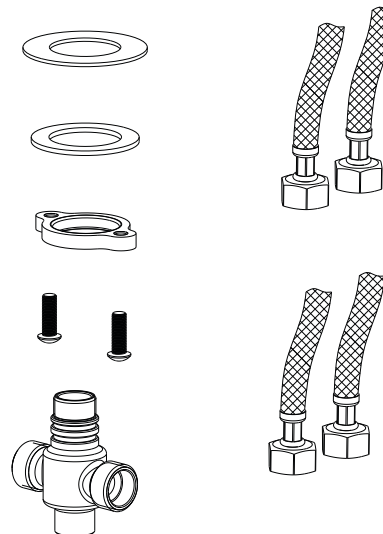
Kraus would like to take this opportunity to thank you for purchasing Kraus products. It is our sincere hope that you are completely satisfied with your new purchase. We welcome any questions or comments you may have, and look forward to assisting you in the future.

Sincerely,
Kraus customer service department.



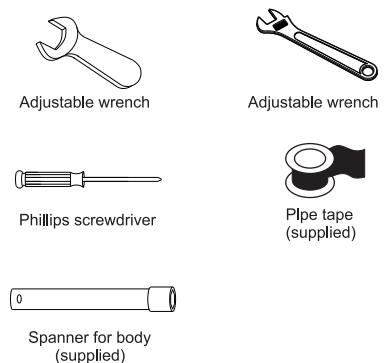
Before Your Installation

Check to make sure you have the following parts indicated below:



Model
KEF-16003

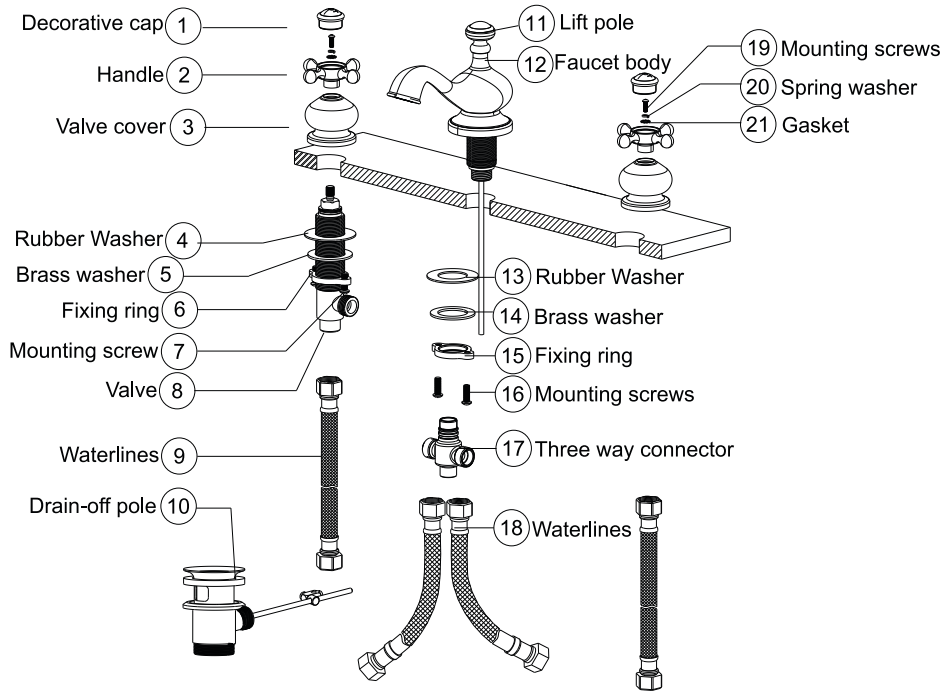
Tools You Will Need



Contact Us Toll-Free at 1-800-775-0703; or visit our website at www.kraususa.com ©2008-2011 Kraus USA Inc.

Replacement Parts

Keep this manual for ordering replacement parts.



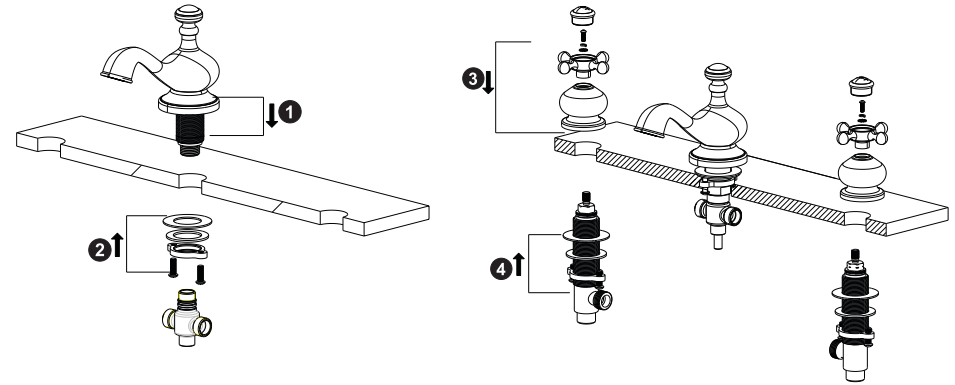
- | | | |
|-------------------|---------------------|-------------------------|
| 1. Decorative cap | 9. Waterlines | 17. Three way connector |
| 2. Handle | 10. Drain-off pole | 18. Waterlines |
| 3. Valve cover | 11. Lift pole | 19. Mounting screws |
| 4. Rubber Washer | 12. Faucet body | 20. Spring washer |
| 5. Brass washer | 13. Rubber Washer | 21. Gasket |
| 6. Fixing ring | 14. Brass washer | |
| 7. Mounting screw | 15. Fixing ring | |
| 8. Valve | 16. Mounting screws | |

Trouble - Shooting

PROBLEM	CAUSE	ACTION
Leaks underneath handle	Adjusting ring or cap has come loose.	Tighten the adjusting ring or cap.
Aerator leaks or has an inconsistent water flow pattern.	Aerator is dirty or misfitted.	Unscrew the aerator to check rubber packing or replace the aerator.
Water will not shut off completely.	Dirty or worn out plastic washer in the cartridge.	Remove handle and cartridge to check if ceramic disk is damage permanently or dirty. Re-install cartridge.

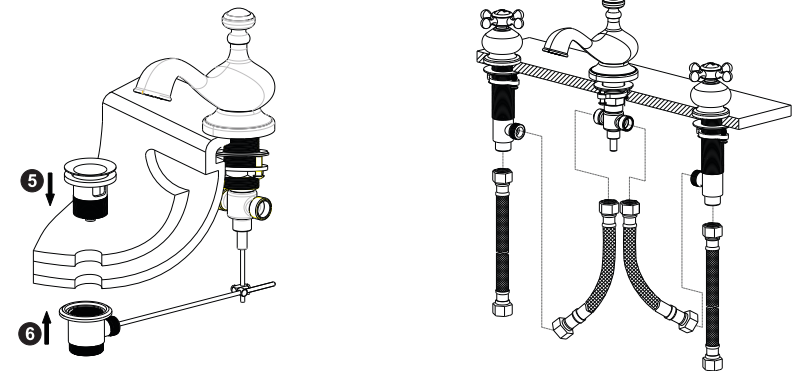
Contact Us Toll-Free at 1-800-775-0703; or visit our website at www.kraususa.com ©2008-2011 Kraus USA Inc.

Installation



Insert faucet body 12 into specified drill hole 1 3/8" of the countertop. Install washer 13 and brass washer 14 to the tail pipe of the faucet body 12 underneath the countertop and then screw the fixing ring 15. Fix faucet body correctly and fix with mounting screw 16 tightly. After, install the three way connector 17 by onto the threaded tail pipe of the faucet body 12.

Install valve 8 into specified drill hole underneath the countertop and then screw valve cover 3 onto valve 8. Adjust the height and position of valve 8, then screw fixing ring 6 and tighten with mounting screw 7. Install handle 2 to handle connector of valve 8. Tighten mounting screw 19 through spring washer 20 and gasket 21 into screw hole of valve 8.



Insert the drain-off pole 10 through the drain hole of the basin. Tighten the drain-off pole securely. Place the end side of the lift pole 11 through the drain-off pole 10 and then tighten the screw.

Screw waterlines to corresponding screws as per the dotted lines.

Contact Us Toll-Free at 1-800-775-0703; or visit our website at www.kraususa.com ©2008-2011 Kraus USA Inc.