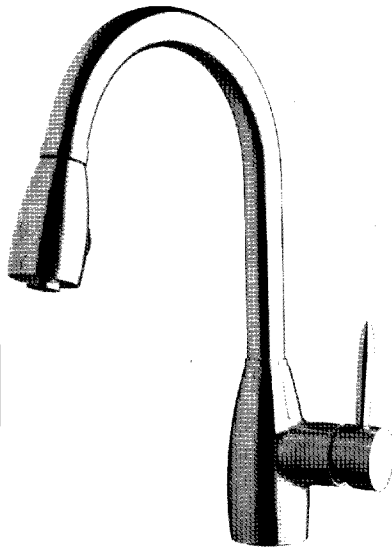


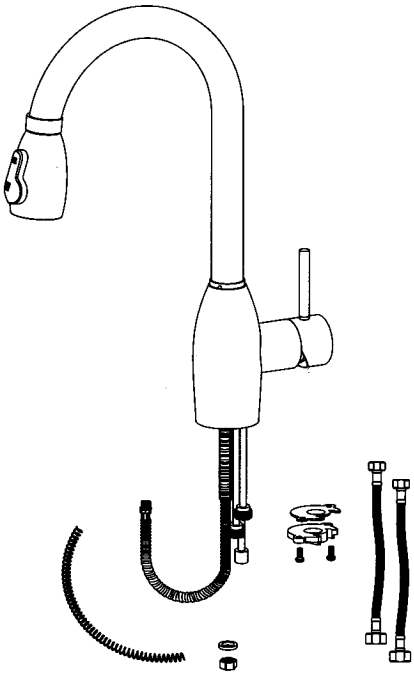
Installation Instruction

Single Handle Pull-down Kitchen Faucet

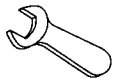


Before Your Installation

Check to make sure you have the following parts indicated below:



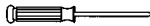
Tools You Will Need



Adjustable wrench



Adjustable wrench



Phillips screwdriver



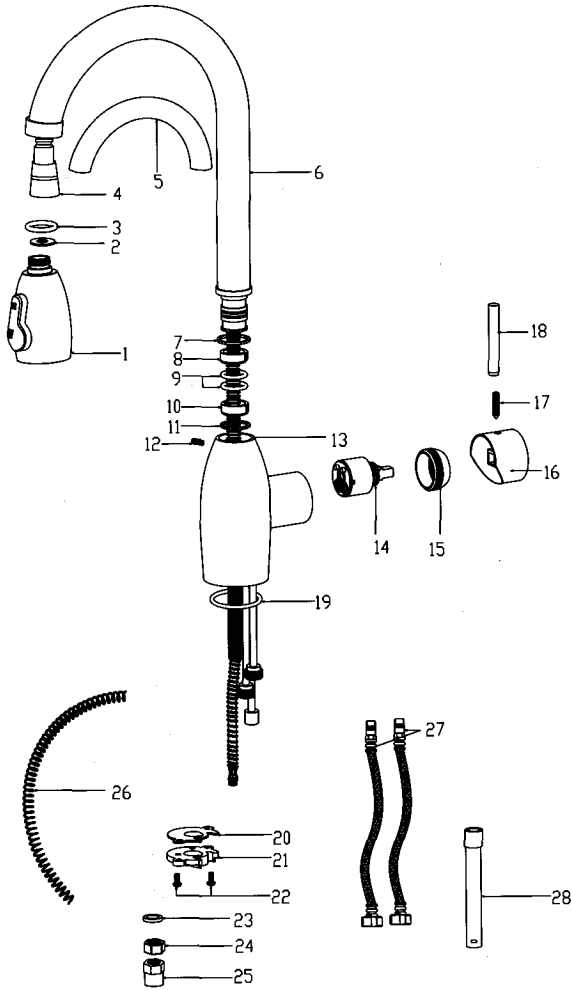
Pipe tape
(supplied)



Spanner for body
(supplied)

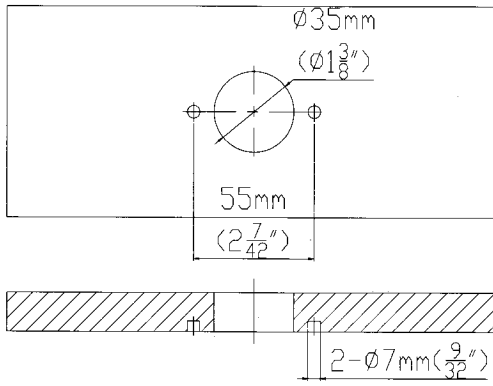
Replacement Parts

Keep this manual for ordering replacement parts.

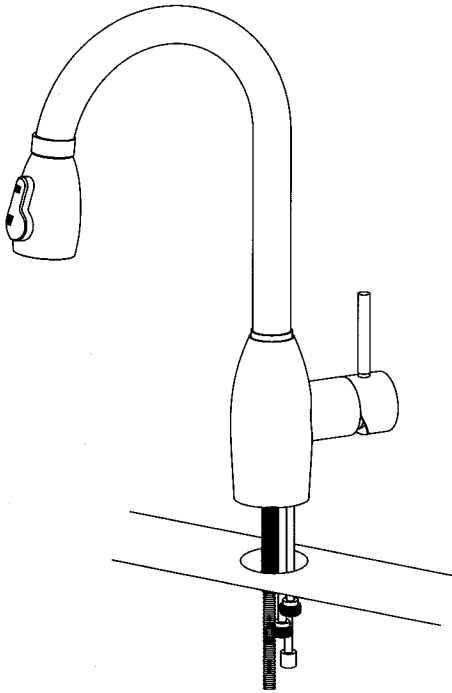


NO	NAME
1.	Sprayer
2.	O ring
3.	Washer
4.	Flex hose
5.	Plastic bushing
6.	Spout
7.	Gasket
8.	Plastic gasket
9.	O ring
10.	Plastic gasket
11.	Washer
12.	M4 screw
13.	Faucet body
14.	Cartridge
15.	Cartridge holder
16.	Handle body
17.	M6 screw
18.	Handle
19.	O ring
20.	Gasket
21.	Fixation set
22.	M5 screw
23.	Washer
24.	Hexagon nut
25.	Plastic cap
26.	Spring
27.	Hose
28.	Spanner

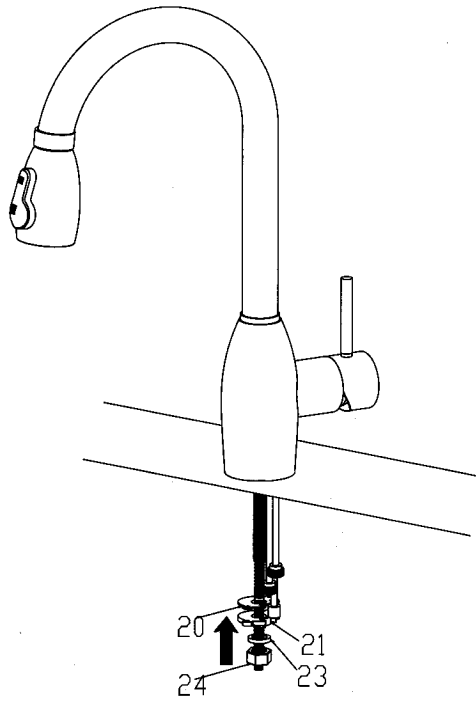
Faucet Installation Procedures



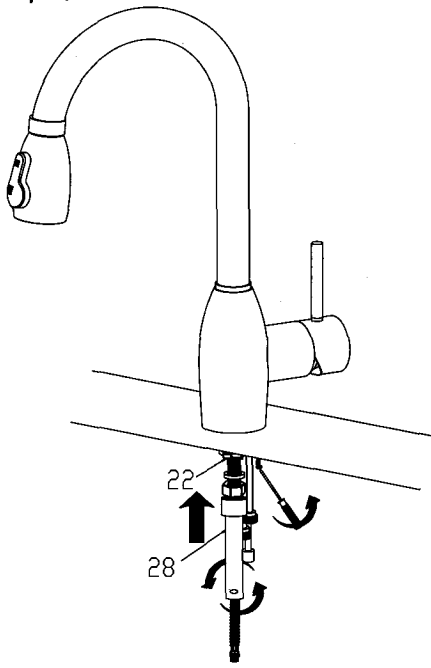
Step ①



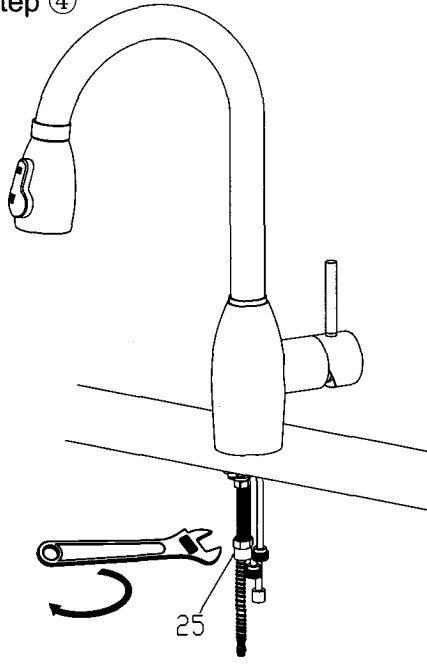
Step ②



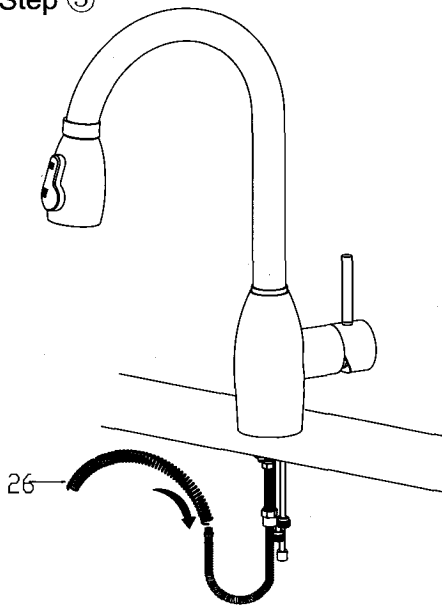
Step ③



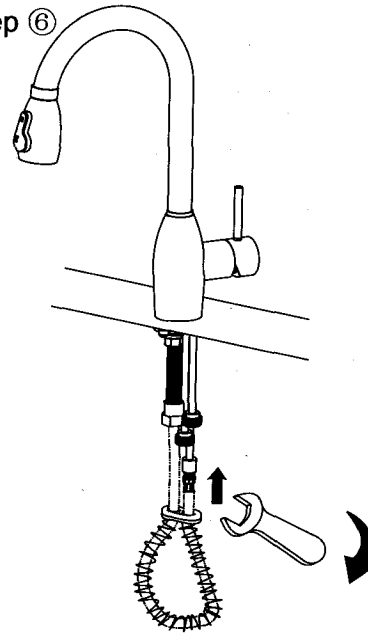
Step ④



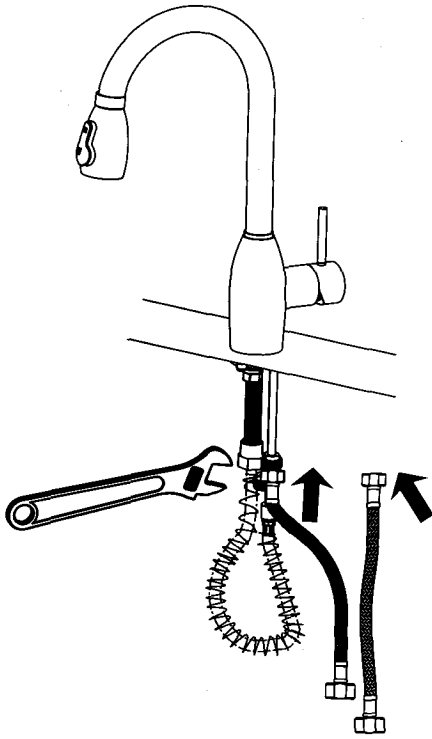
Step ⑤



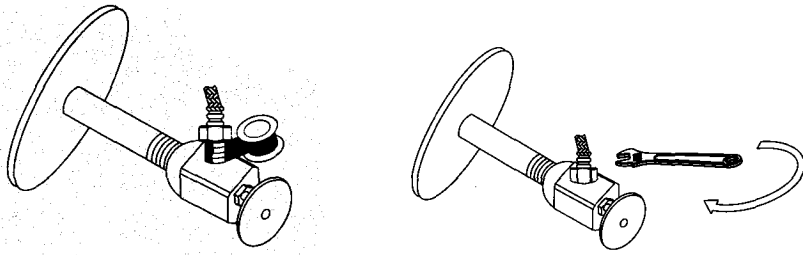
Step ⑥



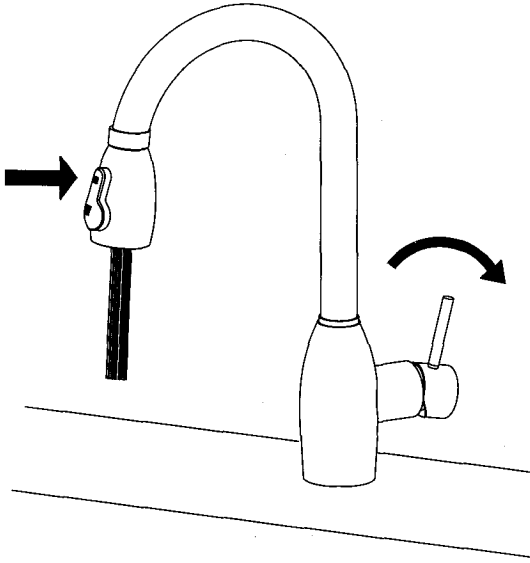
Step ⑦



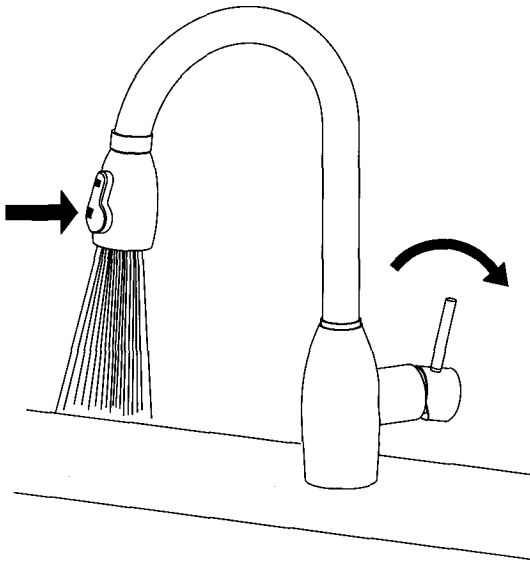
Step ⑧



Step ⑨



Step ⑩



Notice:

Please removing all of the sand, silt and other things from the water hose before assembling, to avoid blocking the faucet and effecting water rate. Please use the special tools to disassemble it and wash with pneumatic equipment, if the faucet blocked.