

The logo for Kraus, featuring the brand name in a white serif font with a registered trademark symbol, set against a solid black rectangular background.

INSTALLATION MANUAL
Granite Kitchen Sinks

Kraus[®]
www.kraususa.com

www.kraususa.com | phone: 1.646.461.9199 | fax: 1.516.621.8900 | toll free: 1.800.755.0703

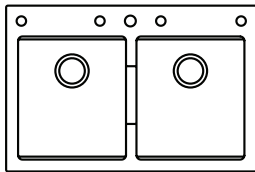
Thank You

We want to take this opportunity to thank you for purchasing a Kraus product, a carefully-crafted, functional addition to your kitchen. Thoughtfully designed and polished, our products are a testament to endless creativity and timeless quality. Every finished piece endures rigorous testing and inspection to ensure it stands the test of time, giving you years of perfect use. Let us help you make your kitchen the heart of your home

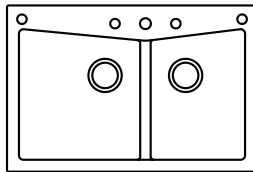
As you begin your Kraus journey, please register your product at: www.kraususa.com/product-registration

Dual Mount Models

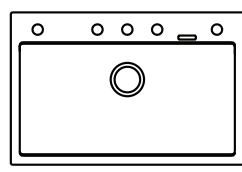
can be installed either as a TOP MOUNT or as an UNDERMOUNT



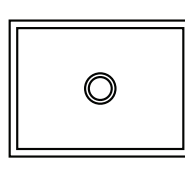
KGD-433B



KGD-430B



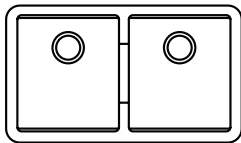
KGD-412B



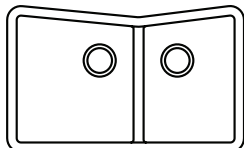
KGD-410B

Undermount Models

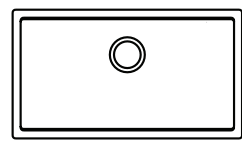
can be installed as an UNDERMOUNT



KGU-434B

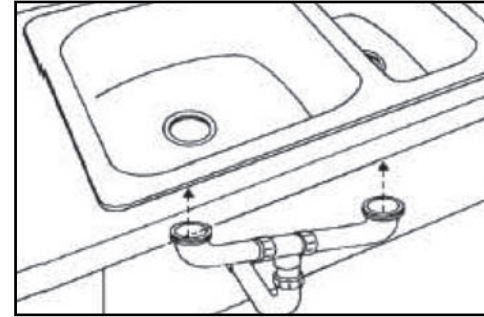


KGU-431B



KGU-413B

Step 7



Connect all faucet supply lines, disposal (if available), and drain trap fittings per manufacturer's instructions.

CHECK FOR LEAKS:

- Supply tubes to faucet
- Supply riser tubes to shut off valves or lower connections
- Fill sink with water and check for leak around drain and carefully tighten as needed

GRANITE SINK CARE & CLEANING INSTRUCTIONS

Everyday Cleaning:

- Wash your sink using warm water, a soft cloth or non-abrasive woven nylon pad, and a nonabrasive liquid cleaner or detergent. This can be done as often as the sink is used.

Metallic Abrasions or Heavy Stains:

- Wipe the sink using a soft cloth or non-abrasive woven nylon pad and a liquid scouring product. Apply the liquid scouring product sparingly and rub lightly. Repeat as necessary until sink is clean.

Hard Water, Calcium and Lime Deposits:

- Wipe with a non-abrasive woven nylon pad and white vinegar. Rinse after 20 minutes.

Do Not Use:

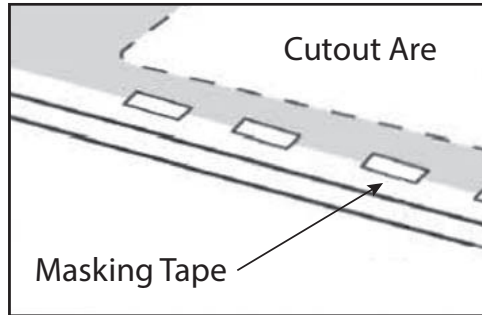
- Abrasive cleansers, abrasive scrub pads, or alkali cleaners such as ammonia.

HELP LINE

If you need additional assistance at any time during the installation, please call us at: 1.800.775.0703 or email us at: info@kraususa.com

Our customer service hours are Monday - Friday, 9am - 6pm EST.
Be sure to visit our website at: www.kraususa.com

Step 1

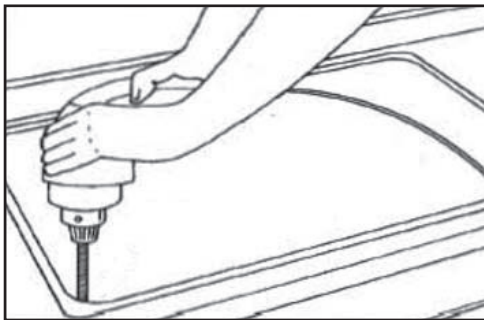


Position the template on the countertop in the location you wish to install the sink. Check to make sure that the sink bowl(s) will not interfere with the cabinets below. Attach the template to the countertop with masking tape and trace the cutout line with a pencil. Remove template from countertop before proceeding.

Or (Without Template)

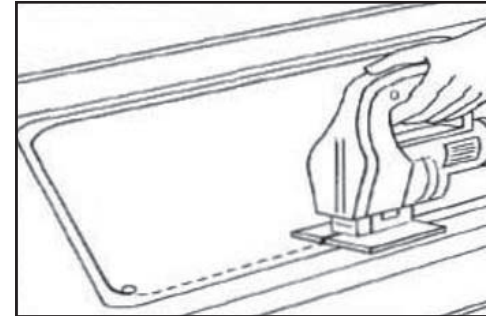
Invert sink and position onto the counter-top. Check to make sure that the sink bowl(s) will not interfere with the cabinets below. Trace a pencil line around the outside edge of the sink and remove the sink from the countertop. Measure in $\frac{3}{8}$ " (10mm) from the initial sink outline and draw a second line inside the first, this is the cut out line.

Step 2



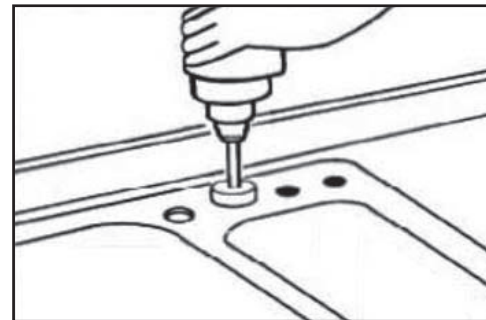
Drill a starter hole inside of cutout line using a drill bit sized to allow the saber saw blade to be inserted for cutting. **NOTE: The starter hole must be fully inside of the cut out line.**

Step 3



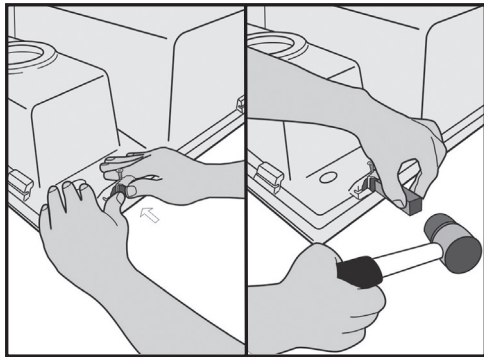
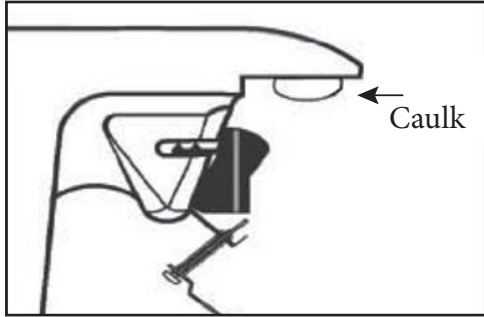
Using a saber saw, cut inside of cutout Line. Place sink in cut out hole and check for proper fit.

Step 4



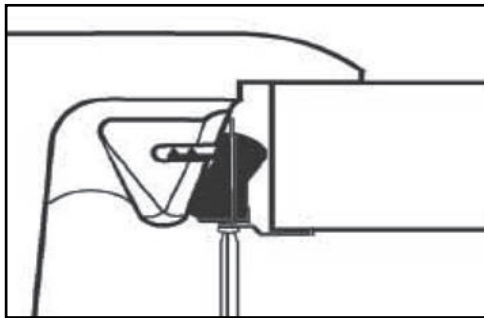
Identify fixture hole locations for faucet, spray or soap dispensers . Drill a starter hole from reverse side of the countertop. Working from the top side of the countertop drill the appropriate number of holes using a $1\frac{1}{4}$ " (32 mm) using a hole saw position on the starter hole, through the countertop. To cool the hole saw and sink surface, a light application of water, periodically, is necessary. Attach faucet, drain, and accessories according to manufacturer's instructions.

Step 5



Apply a bead of caulk (not included) to the underside of the sink flange. For final fit, make sure each sink clip is pulled back as illustrated. Position the sink into the countertop opening.

Step 6



Secure the sink by pivoting the sink clips into the position illustrated and tighten screws in the front, then tighten Rear and side screws.

TOOLS REQUIRED:

- Tape Measure
- Retractable Utility Knife (x-acto type)
- Masking Tape
- Caulk
- Rubber Mallet
- Drill
- Safety Glasses
- Phillips Head Screwdriver
- 1¼" Hole Saw
- Saber Saw (if counter top cutout is required)

IMPORTANT INSTALLER NOTE: READ ALL INSTRUCTIONS CAREFULLY BEFORE STARTING

If you purchased the Dual Mount Granite sink there are two "Master Templates" packaged with the sink that you are installing. Before proceeding any further YOU MUST identify the template pattern that is required in order to install the sink either as a TOP MOUNT installed on the top of the counter or as an UNDERMOUNT installed to the underside of the counter.

a.) TOP MOUNT INSTALLATION:

Select the template pattern from the Master Top Mount template that corresponds to the model number of the sink that you are installing, the model numbers as shown in the line break of the template in the bottom center position of the Master template. Using a Retractable Utility Knife, cut carefully along the line of the template that corresponds to your sink model until you have created the cut out area on the Master template, keep the cut out area to follow instructions.

b.) UNDER MOUNT INSTALLATION:

Select the template pattern that from the Master Under Mount template that corresponds to the model number of the sink that you are installing, the model number is shown in the line break of the template in the bottom center position of the Master template. Using a Retractable Utility Knife, cut carefully along the line of the template that corresponds to your sink model until you have created the cut out area on the Master template, keep the cut out area to follow instructions.