

INSTALLATION INSTRUCTIONS FOR P950-X-L Ceiling Flush mount fixture"or"wall mount

WARNING! SHUT POWER OFF AT FUSE OR CIRCUIT BREAKER.

AVERTISSEMENT ! COUPER LE COURANT AU NIVEAU DES FUSIBLES OU DO DISJONCTEUR.

PREPARATION

1. Shut off power at the fuse box or circuit breaker box. If necessary remove the old fixture and mounting hardware.
2. Carefully unpack your new fixture and lay out all the parts on a clear area. Take care not to lose any small parts necessary for installation.

MOUNTING THE FIXTURE (FIG. 1)

3. Secure mounting back plate (B) to junction box (A) using junction boxes screws (C) (Size: 8-32*1/2"L). The side of the mounting back plate marked "GND" must face out.

CONNECTING THE WIRES (FIG. 2)

4. At this point, connect the electrical wires as shown in Fig. 2, making sure that all wire connectors are secured. If your outlet has a ground wire (green or bare copper), connect the fixtures ground wire to it. Otherwise, connect the fixture ground wire directly to the back plate (B) using the green screw (E) provided. After wires are connected, tuck them carefully inside the junction box.

FINISHING THE INSTALLATION (FIG.1)

5. Align the fixture's back plate (G) over the mounting back plate (B) and secure with screws (H).

CAUTION /ATTENTION : When handling the fixture, do not apply pressure to the LEDs.

MIN 90°C SUPPLY CONDUCTORS
LES FILS D'ALUMENTATION 90°C MIN

Replacing LED module (Fig. 3)

The LED module can be replaced by a qualified electrician without cutting of wire and without damage to any decorative element to which the fixture is attached. See installation steps for more details (Fig 3.)

- a. Shut of the power.
- b. Remove finial (M) and acrylic shade (L).
- c. Remove nipple (O) and (N) located inside the fixture backplate (I) to disconnect the LED module.
- d. Remove screws (K), Carefully remove the LED module (J) Reverse steps a-c for installing the new LED module.
- e. Note: The LED module should be provided by a specified supplier.
- f. For better heat dissipation the LED module (J) should be applied with thermal grease when re-lamping.

FIG.1

Set A# A-021-153D

Back plate
Green screw
Mounting Screws(2)

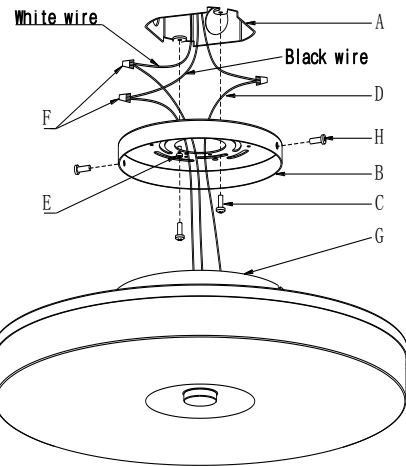


Fig.2

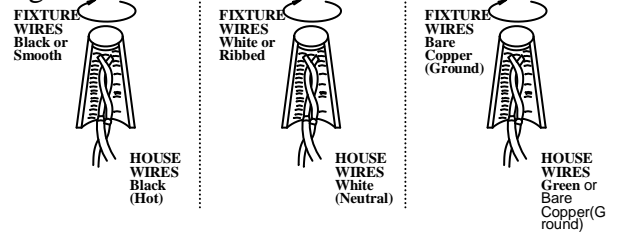
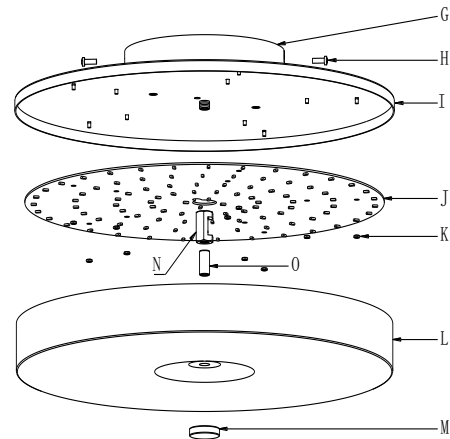


Fig 3



IMPORTANT: Fixture should be installed by a qualified electrician to ensure proper wiring and installation. Dimmable with C-L (CFL & LED) type and Incandescent/Halogen type dimmers

Brand : Lutron

Ordering Information

■ Boxed ● Clamshell

Model number	Product name	Control type	Maximum capacity
■ DVCL-153P-	Diva C-L	Single-pole/3-way dimmer	150 W CFL/LED or 600 W Incandescent/ Halogen 120 V
● DVCL-153PH-			
■ DVSCCL-153P-	Diva C-L Satin Colors		
■ CTCL-153P-	Skylark Contour C-L*		
● CTCL-153PH-			
■ AYCL-153P-	Ariadni C-L		
● AYCL-153PH-			
● TTCL-100H-	Credenza C-L	Single-pole lamp dimmer	100 W CFL/LED or 250 W Incandescent/ Halogen 120 V

