

INSTALLATION INSTRUCTIONS

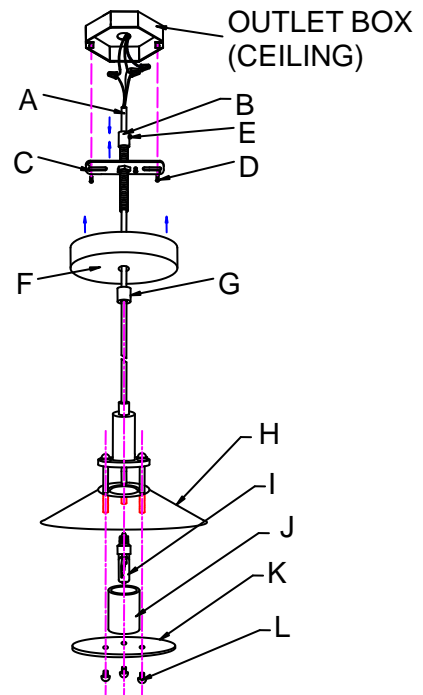
For Model # P9721 (Rev. 08/23/2012)

WARNING! SHUT POWER OFF AT FUSE OR CIRCUIT BREAKER.
AVERTISSEMENT! COUPER LE COURANT AU NIVEAU DES FUSIBLES OU DU DISJONCTEUR.

ASSEMBLING THE FIXTURE (Fig. 1)

1. Carefully unpack your new fixture and lay out all the parts on a clear area. Take care not to lose any small parts necessary for installation.
2. Shut off power at the circuit breaker and remove old fixture, including the mounting hardware.
3. Determine desired distance from ceiling to hang the fixture, and if necessary, cut cord to length plus five inches. Run the Wired Cord (A) through the Cap Nut (G), Canopy (F), and Nipple. Then feed several inches of the cord end through the middle hole in the Crossbar (C).
4. Install the Stain Relief Bushing (B) by unscrewing the Screw (E) and pushing the cord through the center of both parts until about 5" of cord is exposed. Tighten screw from the Strain Relief Bushing (B). (You may need someone to hold the fixture while installing the Strain Relief Bushing.) The fixture can't hang from the Strain Relief Bushing (B).
5. Carefully cut and remove approximately 4" of the outer sheathing from cord and strip 1/2" of the wire ends bare to expose the copper strands.

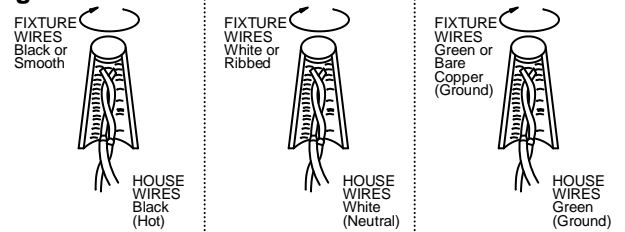
Fig. 1



CONNECTING THE WIRES (Fig. 2)

6. Attach the Crossbar (C) to the Outlet box using the two Screws (D). The side of the Crossbar with "GND" marked on it and two convex points must face out.
7. At this point, connect the electrical wires as shown in (Fig.2), making sure that all wire connectors are secured. If your outlet has a ground wire (green or bare copper), connect the fixture's Ground Wire to it. Otherwise, connect the fixture's Ground Wire directly to the crossbar using the Green Screw provided.
8. Slip the Canopy (F) and Cap Nut (G) up to the ceiling and lock it in place by threading the Cap Nut onto the Nipple.
9. Install the Xenon bulb (I) (included) in accordance with the fixture's specifications. **(DO NOT EXCEED THE MAXIMUM WATTAGE RATING!) (NE PAS DEPASSER LA PUISSANCE NOMINALE MAXIMALE!)**
10. Slide the combination (J&K) upwards to the bottom of the Light Fixture (H) and tighten with Nut (L).

Fig. 2



Your installation is now complete. Return power to the outlet box and test fixture.



IMPORTANT: FIXTURE SHOULD BE INSTALLED BY A QUALIFIED ELECTRICIAN TO ENSURE PROPER WIRING AND INSTALLATION.