

INSTALLATION INSTRUCTIONS FOR P1925-726-L

For LED Table Lamp

READ AND SAVE THESE INSTRUCTIONS

ASSEMBLING THE LAMP (Fig.1)

1. Carefully unpack your new lamp and lay out all the parts in a clear area. Take care not to misplace any small parts necessary for installation.
2. Carefully separate LED box (J) and glass box (F). Place glass box (F) onto all thread (T) on fixture body (A), add 2pcs spring washers (G) and hex nut (H) and tighten with tool (S) provided. (Do not over tighten).
3. Connect plug (I2) and plug(I1) together. Place LED box (J) on glass box (F). Secure using allen wrench (K) to tighten screws (L).
4. Insert power connector (B) into base, then connect into power plug (C).
5. Rotate glass box (F) to your suitable position. (**Please note that the maximum adjustment angle is 180 degrees**)
6. This table lamp contains a dimming touch switch (D). When the light of the switch is on, it means that the lamp has been powered on. Use this switch in the following order:
 - a: Touch the switch and the lamp will turned on.
 - b: Press and hold the switch for 3-4 seconds to adjust the brightness of the lamp.
 - c: Touch the switch again to turn off the lamp.
7. The lamp has one USB (E) interface which can charge mobile phones or other electronic devices and the output voltage is 5V.

MAINTENANCE: Use a soft lint free cloth to clean metal frame. UNDER NO CIRCUMSTANCES SHOULD METAL POLISHES, AMMONIA BASED CLEANERS, ABRASIVES, OR AEROSOL SPRAYS BE USED.

CAUTION /ATTENTION: When handling the fixture, do not apply pressure to the LEDs. Hold the fixture by the base or fixture body only.

Replacing LED module (Fig.2)

The LED module can be replaced by a qualified electrician without cutting the wires and without damaging the decorative element to which the fixture is attached. See installation steps for more details (Fig.2)

Warning: Turn off power at the fuse box or circuit breaker before replacing the LED module.

- a. Pull out the power(C).
- b. Loosen screws (L) using allen wrench (K). Carefully remove LED box (J). Disconnect plugs (I1) & (I2). Loosen screws (M) and plastic sheet (N). Remove decorative cover (O). Loosen hex nut (P) and plastic washer (Q) and carefully remove LED module (R).
- c. Reverse steps a-c for installing the new LED module.

Note: The LED module should be provided by a specified supplier.

IN AN ONGOING EFFORT TO BE ENVIRONMENTALLY FRIENDLY AND IN COMPLIANCE WITH CALIFORNIA TITLE 20 AN ENERGY SAVING INTEGRATED IS INCLUDED.

Fig.1

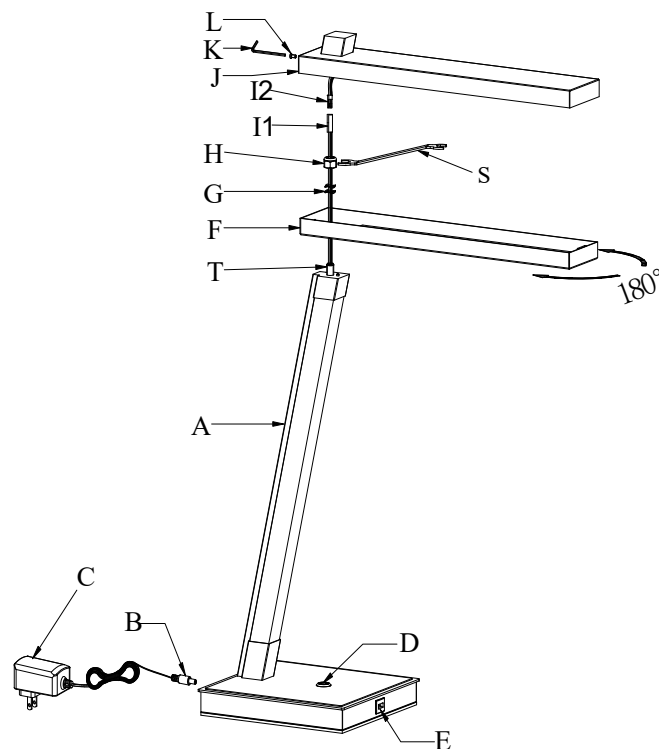


Fig.2

