

# INSTALLATION INSTRUCTIONS FOR P1711-066-L/P1712-066-L/P1713-066-L

## For Wall Sconce Fixture

READ AND SAVE THESE INSTRUCTIONS

**WARNING! SHUT POWER OFF AT FUSE OR CIRCUIT BREAKER**

**AVERTISSEMENT! COUPER LE COURANT AU NIVEAU DES FUSIBLES OU DO DISJONCTEU**

### ASSEMBLING THE FIXTURE (Fig.1)

1. Shut off power at the fuse box or circuit breaker. If necessary, remove the old fixture including the mounting hardware.
2. Carefully remove the fixture from the carton and check that all parts are included as show in Figure 1.
3. Attach mounting plate (A) to the junction box (not included) with junction box screws (C) (size:8-32\*1/2"L) provided. The side of mounting plate (A) marked "GND" must face out.

### CONNECTION THE WIRES (Fig. 2)

4. Connect the electrical wires as shown in Fig.2, making sure that all wire nuts are secured. If your junction box has a ground wire (green or bare copper), connect the fixture's ground wire to it. Otherwise, connect the fixture's ground wire directly to the mounting plate (A) using the green screw (B) provided. Tuck the wire connections neatly into the junction box.

### FINISHING THE INSTALLATION (Fig. 1)

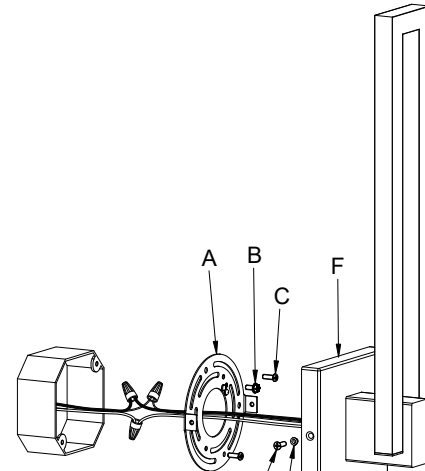
5. Align fixture (F) onto mounting plate (A) and secure with screws (D) and rubber washers (E).
6. To prevent moisture from entering the junction box and causing a short circuit, use clear caulking (i.e. Indoor/Outdoor silicone sealant) to outline the outside of fixture back plate where it meets the wall leaving a space at bottom to allow moisture a means to escape (Fig.3).

Your installation is now complete. Return power to the junction box and test the fixture.

**IMPORTANT:** Fixture should be installed by a qualified electrician to ensure proper wiring and installation.

**Dimmable with ELV and/or LED compatible wall dimmer switches.**

Fig.1



Set: A-021-112  
Circular Strap  
Green Screw  
Mounting screw(2)

Fig.2

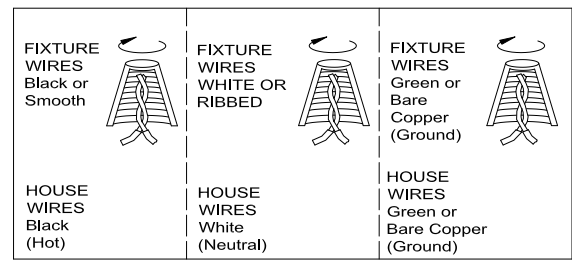


Fig.3

