

# INSTALLATION INSTRUCTIONS FOR P5591-613-L

For Ceiling Mount Fixture (New. 12/15/2022)

**WARNING! SHUT POWER OFF AT FUSE OR CIRCUIT BREAKER.**

**AVERTISSEMENT ! COUPER LE COURANT AU NIVEAU DES FUSIBLES OU DO DISJONCTEUR.**

## PREPARATION (Fig.1)

1. Shut off power at the fuse box or circuit breaker box. If necessary, remove the old fixture and mounting hardware.
2. Carefully unpack your new fixture and lay out all the parts on a clean area. Take care not to lose any small parts necessary for installation.
3. Secure mounting plate (A) to the junction box (not included), using screws (B) (**Size: 8-32\*1/2"L**). The side of the mounting plate marked "GND" must face out.
4. Adjust the fixture wire length by loosening the screw with wrench (E) provided to desired length. Tighten the screw and wire using wrench (E) to secure wire.

## CONNECTING THE WIRES (FIG. 2)

5. Connect the electrical wires as shown in Fig. 2, making sure that all wire connectors are secured. If your junction box has a ground wire (green or bare copper), connect the fixtures ground wire to it. Otherwise, connect the fixture ground wire directly to the mounting plate (A) using the green screw provided. After wires are connected, tuck them carefully inside the junction box.

## FINISHING THE INSTALLATION (FIG.1)

6. Align canopy (C) onto mounting plate (A) and secure with screws (D).
7. Screw crystal ball (G) to fixture body (F) (Do not over tighten).

**CAUTION/ATTENTION:** When handling the fixture, do not apply pressure to the LEDs. Hold the fixture by the base only (use the Lutron MACL-153M compatible dimmer).

**IMPORTANT:** Fixture should be installed by a qualified electrician to ensure proper wiring and installation.

Fig. 1

Set# A-020-124D  
-Mounting Plate  
-Ground Screw  
-Mounting Screw\*2

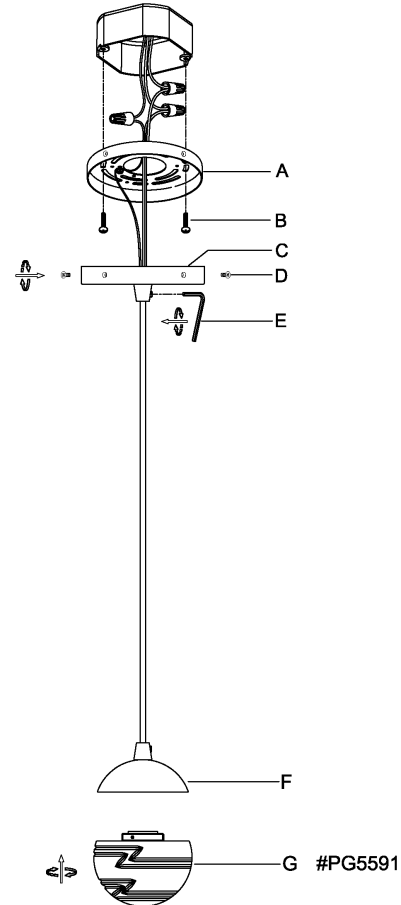


Fig. 2

