

INSTALLATION INSTRUCTIONS

Item#P5388-613 (New. 05/13/2022)

READ AND SAVE THESE INSTRUCTIONS

WARNING! SHUT POWER OFF AT FUSE OR CIRCUIT BREAKER.
AVERTISSEMENT! COUPER LE COURANT AU NIVEAU DES FUSIBLES OU DU DISJONCTEUR.

PREPARATION (Fig. 1)

1. Shut off power at the fuse box or circuit breaker box and remove the old fixture including the mounting hardware.
2. Carefully unpack your new fixture and lay out all the parts in a clean area. Take care not to misplace any small parts necessary for installation.

ASSEMBLING THE FIXTURE (Fig.1)

3. Secure the bottom of arm (C1) to all thread (K1) on top of fixture with coupler (L1); Secure the bottom of arm (C2) to all thread (K2) with coupler (L2).
4. Slide canopy (I) over the all threads on arms (C1) and (C2), then follow up with flat washers (N), lock washers (F), and secure with hex nuts (G) using wrench (Z) provided. Carefully feeding wire through each part as you assemble.
5. Attach mounting plate (A) to the junction box (not included) using the junction box screws (H). The side of mounting plate (A) marked "GND" must face out.

CONNECTING THE WIRES (Fig. 2)

6. Connect the electrical wires as shown in (Fig.2), making sure that all wire connectors are secured. If your junction box has a ground wire (green or bare copper), connect the fixture's ground wire to it. Otherwise, connect the fixture's ground wire directly to circular strap (A) using the ground screw provided.
7. Tuck the wire connectors neatly into the junction box.

COMPLETING THE INSTALLATION (Fig. 1)

8. Slide canopy (I) over mounting plate (A) and secure with screws (H).
9. Install (8) eight candelabra base bulbs (M) up to 60 watts each or CFL or LED equivalent (not included) in accordance with the fixture specification—**DO NOT EXCEED THE MAXIMUM WATTAGE RATING! (NE PAS DEPASSER LA PUISSANCE NOMINALE MAXIMALE!)**

10. Alternate glass (O) and (Q) on hooks (Q), then hang hooks (J) to each glass (O) and (Q). Alternate again glass (Q) and (O) on hooks (P).

Your installation is now complete. Return power to the junction box and test the fixture.

Note: Illustration (Fig. 1) on this manual is for installation purposes only. It may or may not be identical to the fixture purchased.

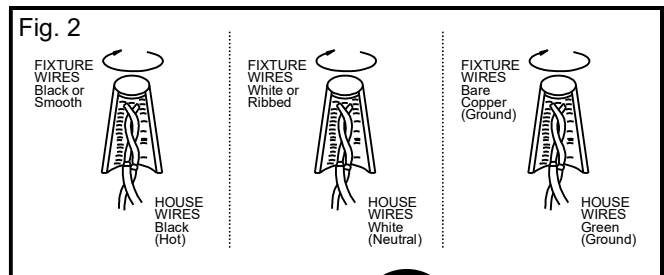
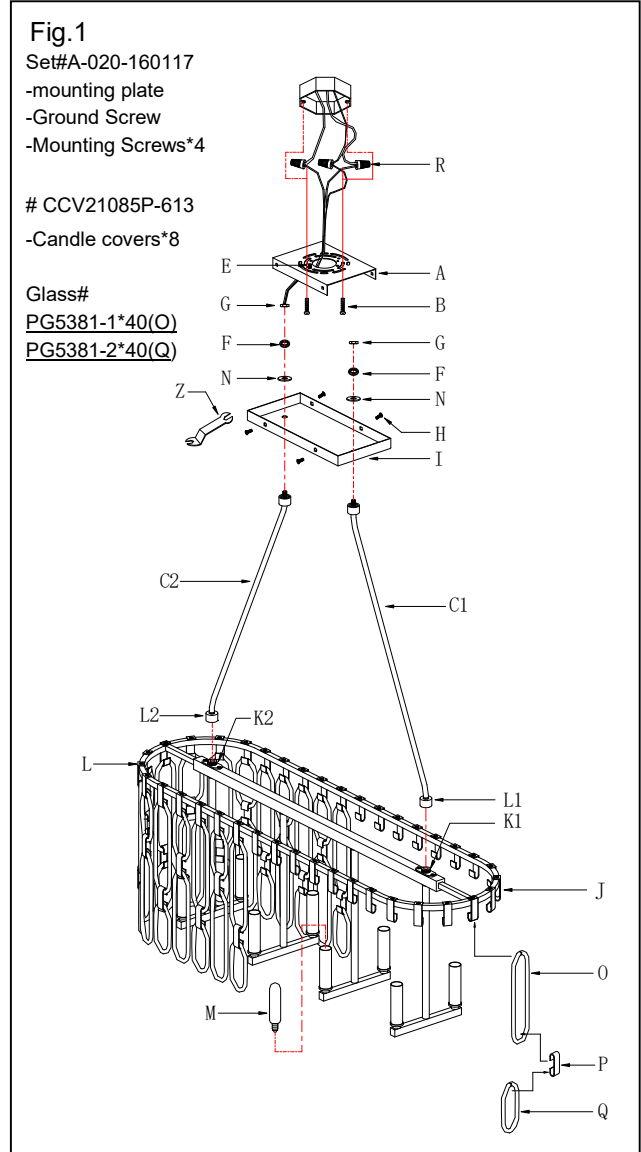
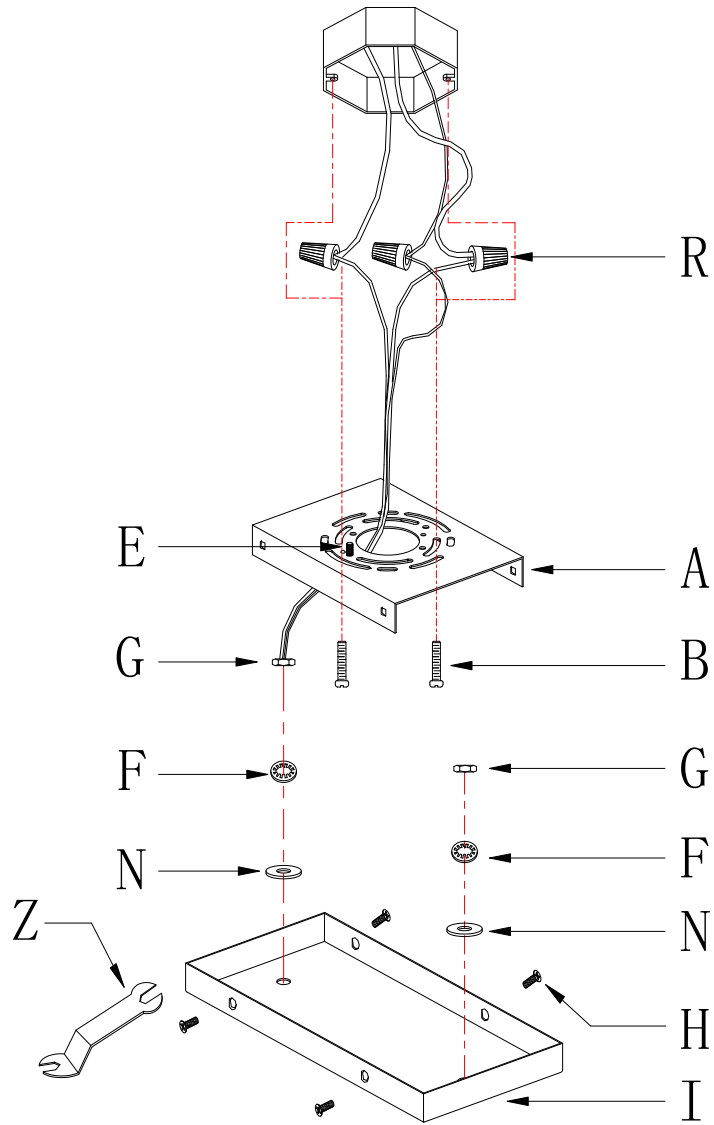


Fig.3



a. Hardware Bag:

- A. Mounting plate *1
- I. Canopy *1
- R. Wire connectors *3
- H. Mounting Screws*4
- E. Ground screw *1
- B. Screws *2
- N. Flat washers *2
- F. Lock washers *2
- G. Hex nut *2
- Z. Wrench *1

