

## Features

- Catalyzed conversion varnish provides a durable moisture-resistant finish.
- Furniture-style inset construction for doors and drawers.
- Two doors and two full- and four shallow-drawers behind two drawer fronts.
- Three-way adjustable slow-close door hinges with 110-degree opening capability for easy cabinet access.
- Full-extension 18" depth drawers with slow-close under-mount slides for smooth opening.
- Solid wood drawers with dovetail construction.
- Optional drawer organizer (sold separately).
- Coordinates with other products in the Jute™ collection.
- Legs offer the polished look of furniture in the bath.
- Door and drawer pulls are sold separately.

## Material

- Solid wood and veneers.

## Recommended Accessories

- 2891
- 2783
- K- 5458 Bathroom Vanity Top
- K- 5424 Bathroom Vanity Top
- K- 5439 Bathroom Vanity Top
- K- 99686 Knob
- K- 99689 Handle

## Optional Accessories

- 99680
- 99679
- K- 99665 Framed Mirror
- K- 99681 Side Mount Electrical Outlets
- K- 99682 General Storage
- K- 99683 Makeup Storage
- K- 99684 Drawer Dividers
- K- 99672 Two-Drawer Bridge
- K- 99668 Lap Drawer
- K- 99676 Filler Strip
- K- 99001 Mirrored Cabinet
- K- 99007 Mirrored Cabinet
- K- 99009 Mirrored Cabinet
- 99662
- 99678



## Codes/Standards

CARB P2

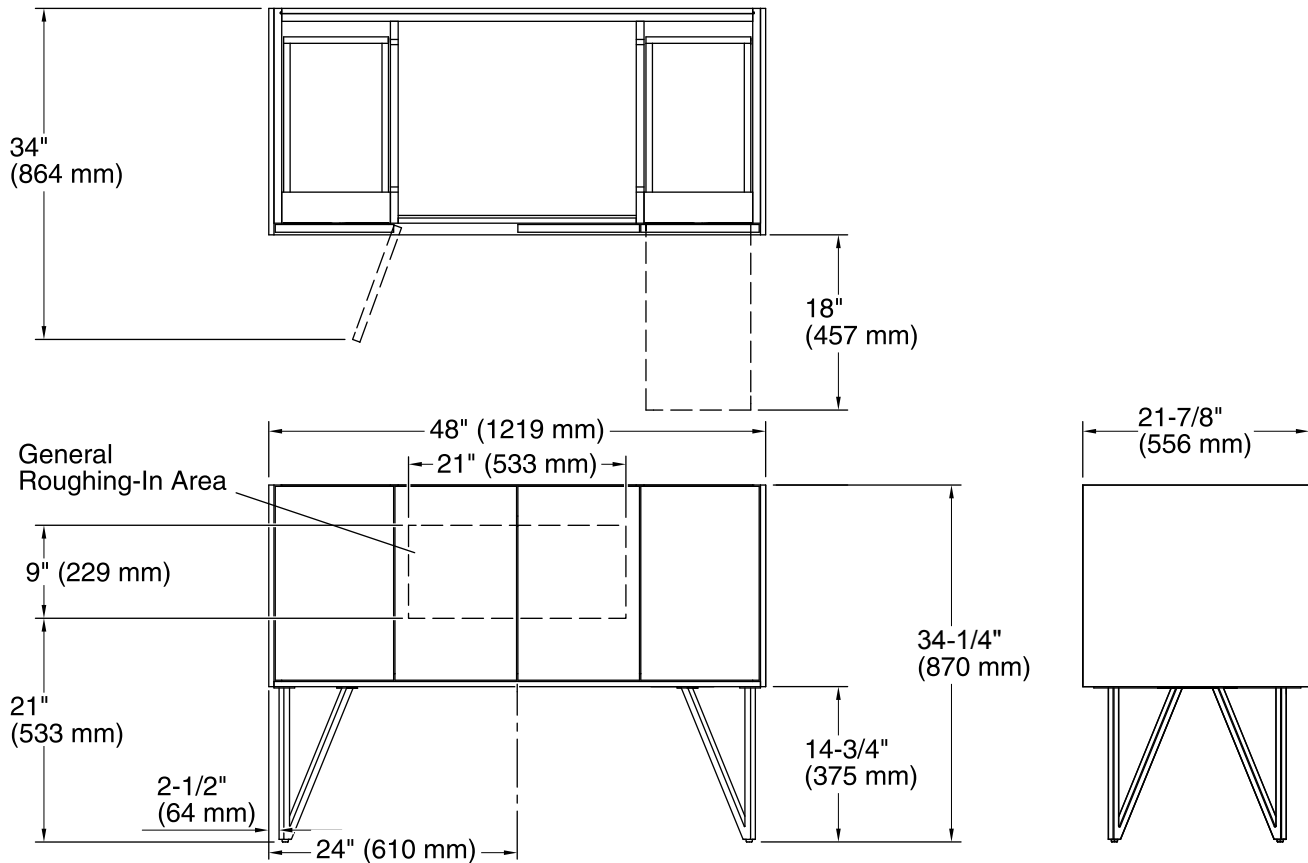
## KOHLER® One-Year Limited Warranty

See website for detailed warranty information.

## Available Color/Finishes

*Color tiles intended for reference only.*

Color	Code	Description
	1WA	Linen White
	1WN	Corduroy Teak
	1WM	Walnut Flax
	1WJ	Jersey Oak
	1WL	Laurentil Silk
	1WK	Satin Oak
	1WP	Ebony Velour
	1WU	Batiste Black
	1WT	Mohair Grey



## Technical Information

All product dimensions are nominal.

Vanity type: Standard

## Notes

Install this product according to the installation guide.

Decorative cabinet hardware is not supplied. Refer to the KOHLER bath accessories line for recommended cabinet hardware to complement your vanity.

Select the type of fastener based upon the wall material. Two 500 lb (227 kg) minimum load bearing fasteners are recommended.