

Features

- Metal construction
- Pop-up drain with tailpiece
- 1.5 gal/min (5.7 l/min) maximum flow rate
- 6-5/8" (168 mm) spout reach

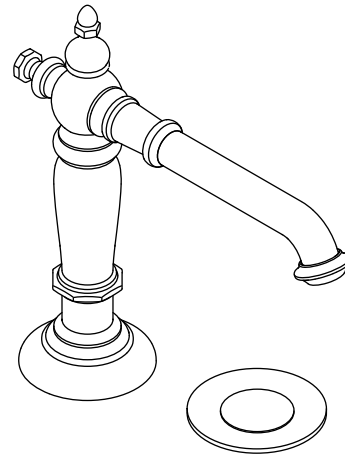
**WIDESPREAD BATHROOM SINK SPOUT
K-72760**



Codes/Standards Applicable

Specified model meets or exceeds the following:




- ASME A112.18.1/CSA B125.1
- NSF 61
- EPA WaterSense®
- All applicable US Federal and State material regulations



Colors/Finishes

- CP: Polished Chrome
- Other: Refer to Price Book for additional colors/finishes

Specified Model

| Model | Description | Color/Finish | |
|-----------------------------|---|---|---|
| K-72760 | Widespread bathroom sink spout | <input type="checkbox"/> CP | <input type="checkbox"/> Other ____ |
| Required Accessories | | | |
| |  |  |  |
| K-98068-3M | Prong handles (pair) OR | <input type="checkbox"/> CP | <input type="checkbox"/> Other ____ |
| K-98068-4 | Lever handles (pair) OR | <input type="checkbox"/> CP | <input type="checkbox"/> Other ____ |
| K-98068-9M | Swing lever handles (pair) | <input type="checkbox"/> CP | <input type="checkbox"/> Other ____ |

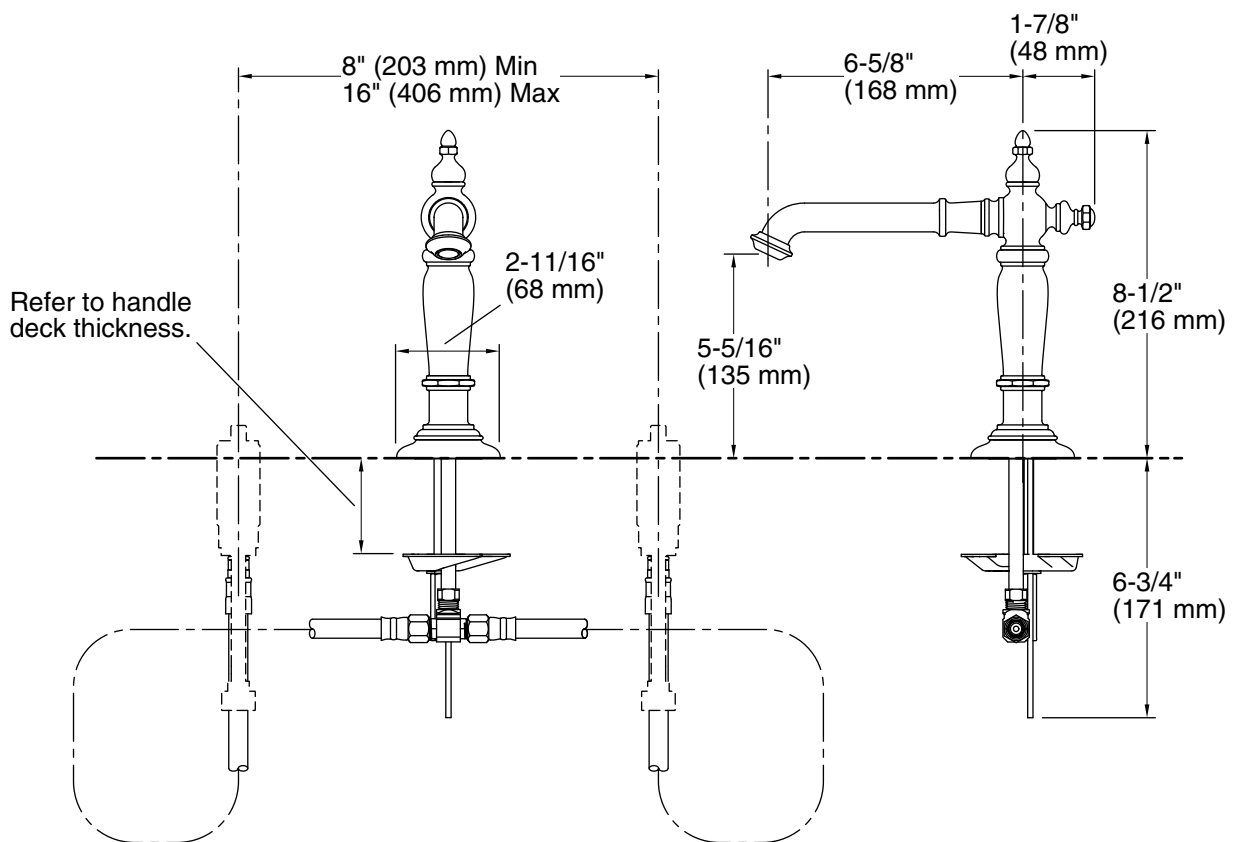
PRODUCT SPECIFICATION

The widespread bathroom sink spout shall be made of metal construction. Spout shall have a 1.5 gal/min (5.7 l/min) maximum flow rate. Spout shall feature a 6-5/8" (168 mm) spout reach and pop-up drain with tailpiece. Spout shall be Kohler Model K-72760-_____.

ARTIFACTS™

Installation Notes

Install this product according to the installation guide.



Product Diagram