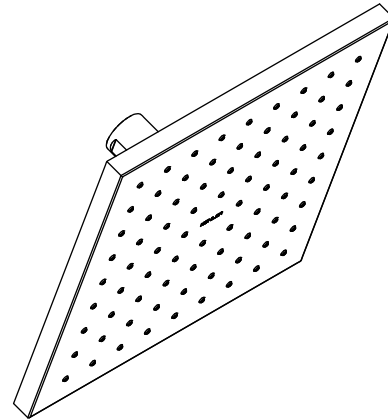


CONTEMPORARY SQUARE

**RAIN SHOWERHEAD
K-45200**

Features

- Single-function Rain showerhead
- 2.0 gallons (7.6 L) per minute flow rate
- Katalyst™ Spray Technology with air induction ball joint (patent pending)
- Optimized sprayface for maximum performance
- MasterClean™ spray nozzles prohibit mineral buildup for easy cleaning
- Solid brass construction
- 1/2" - 14 NPT connection



Codes/Standards Applicable

Specified model meets or exceeds the following:

- ASME A112.18.1/CSA B125.1
- Energy Policy Act of 1992

Colors/Finishes

- CP: Polished Chrome
- Other: Refer to Price Book for additional colors/finishes

Accessories

- CP: Polished Chrome
- Other: Refer to Price Book for additional colors/finishes

Specified Model

| Model | Description | Size | Nozzles | Colors/Finishes | |
|-----------------------------|---|-------------|---------|-----------------------------|------------------------------------|
| K-45200 | Rain showerhead | 8" (203 mm) | 80 | <input type="checkbox"/> CP | <input type="checkbox"/> Other____ |
| Optional Accessories | | | | | |
| K-7392 | 12" (305 mm) straight ceiling-mount shower arm and flange OR | | | <input type="checkbox"/> CP | <input type="checkbox"/> Other____ |
| K-7394 | 6" (152 mm) straight ceiling-mount shower arm and flange OR | | | <input type="checkbox"/> CP | <input type="checkbox"/> Other____ |
| K-7396 | 3" (76 mm) straight ceiling-mount shower arm and flange OR | | | <input type="checkbox"/> CP | <input type="checkbox"/> Other____ |
| K-10124 | Right-angle shower arm and flange | | | <input type="checkbox"/> CP | <input type="checkbox"/> Other____ |

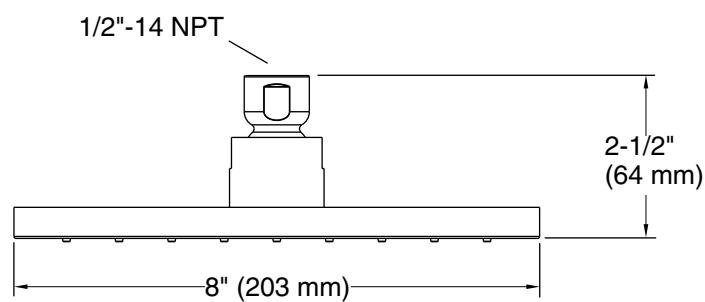
Product Specification

The single-function Rain showerhead shall have a flow rate of 2.0 gallons (7.6 L) per minute. Showerhead shall have Katalyst Spray Technology with air induction ball joint (patent pending) and optimized sprayface for maximum performance. Showerhead shall have MasterClean spray nozzles to prohibit mineral buildup for easy cleaning and shall be made of solid brass construction. Showerhead shall have a 1/2"-14 NPT connection. Showerhead shall be Kohler Model K-45200____.

CONTEMPORARY SQUARE

Installation Notes

Install this product according to the installation guide.



Product Diagram