

KOHLER® Roughing-In

K-1969-GVB, K-1969-GVBCW UNDERSCORE® CUBE VIBRACOUSTIC® BUBBLEMASSAGE™ BATH

Product Information

Cube VibrAcoustic BubbleMassage bath	K-1969-GVB
Cube VibrAcoustic BubbleMassage bath with Bask™ and chromatherapy	K-1969-GVBCW (shown)

Fixture: Approx. measurements for comparison only.	
Basin area, bottom	39-3/8" (1000 mm) x 39-3/8" (1000 mm)
Basin area, top	44-5/8" (1134 mm) x 44-5/8" (1134 mm)
Weight	160 lbs (72.6 kg)
Water depth	27-1/2" (699 mm) to overflow
Capacity	171 gal (647.3 L) to overflow

Blower motor/control	300 W	120 V	60 Hz	10 A
Amplifier	15 W (per channel)	120 V	50/60 Hz	-
Heater	65 W	120 V	60 Hz	0.5 A

Required accessories: Cable drain AND	K-8150
Cable drain trim kit	K-8134
Optional accessory: Under-mount kit	K-578

Drop-in cutout: 47" (1194 mm) x 47" (1194 mm)

Required Electrical Service: Dedicated circuit required, protected with Class A Ground-Fault Circuit-Interrupter (GFCI) or Residual Current Device (RCD):
Blower motor/heater/amplifier: 120 V, 15 A, 60 Hz

Installation Notes

Install this product according to the installation guide. Ensure that the bath, user interface, amplifier, and transducers are functional before completing the installation.

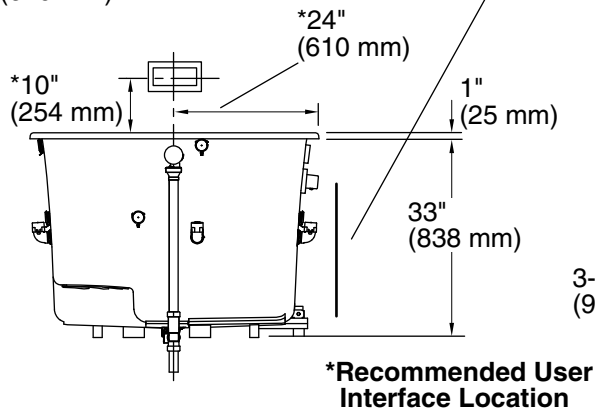
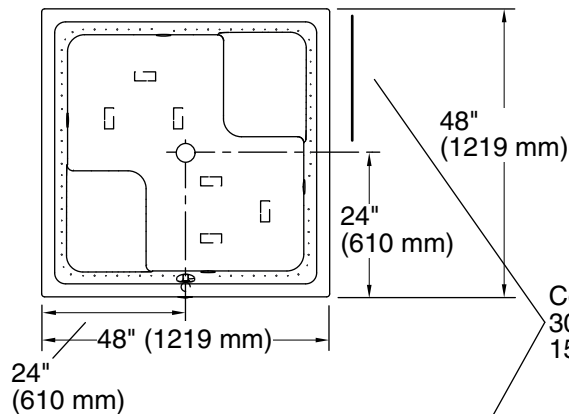
Control amplifier fits 16" (406 mm) center studs. 25' (7.6 m) cables are included.

Locate the bath within 24" (610 mm) of a GFCI-protected 120 V, 15 A grounded electrical outlet. A second grounded outlet within the wall framing must be within 24" (610 mm) of the planned control amplifier. One electrical service may be used for the entire bath and related electrical components.

Hot water supply should be 70% of capacity or greater. Installations will vary.

Floor support under bath must provide for a minimum of 97.9 lbs/square foot (478.2 kg/square meter) loading.

Fixture conforms to CSA B45.5/IAPMO Z124. All dimensions are nominal.



No change in measurements if connected with drain illustrated. (K-8150)

