

### Product Information

Fixture: Approx. measurements for comparison only.				
Bathing well:				
Basin area, bottom	42" (1067 mm) x 27" (686 mm)			
Basin area, top	54" (1372 mm) x 30" (762 mm)			
Weight	96 lbs (43.5 kg)			
To overflow:				
Water depth	16" (406 mm)			
Capacity	81 gal (306.6 L)			
Drop-in cutout				
64-1/2" (1638 mm) x 40-1/2" (1029 mm)				
Amplifier/control:	15 W (per channel)	120 V	50/60 Hz	-
Heater:	65 W	120 V	60 Hz	1.1 A

### Required Electrical Service

Dedicated circuit required, protected with Class A Ground-Fault Circuit-Interrupter (GFCI) or Residual Current Device (RCD): 120 V, 15 A, 50/60 Hz

### Installation Notes

Install this product according to the installation guide. Ensure that the interface, amplifier, and transducers are functional before completing the installation.

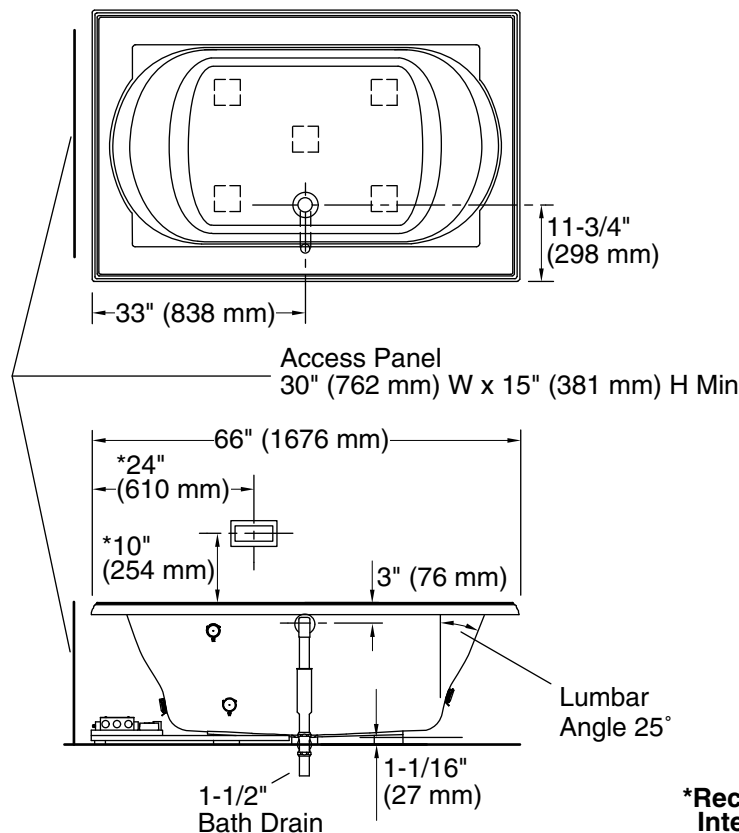
Control amplifier fits 16" (406 mm) center studs. 25' (7.6 m) cables are included.

Locate the bath within 24" (610 mm) of a GFCI-protected 120 V, 15 A grounded electrical outlet. A second grounded outlet within the wall framing must be within 24" (610 mm) of the planned control amplifier. One electrical service may be used for the entire bath and related electrical components.

Floor support under this product must provide for a minimum of 41 lbs/square foot (200.2 kg/square meter) loading.

If installing a rim-mount faucet, make sure there is no interference with drain overflow before drilling any holes. Consult local and national codes for minimum air gap requirements if installing a spout on the faucet deck.

Fixture conforms to CSA B45.5/IAPMO Z124. All dimensions are nominal.



No change in measurements if connected with drain illustrated. (K-7161-AF)

