

Features

- Revolutionary funnel design virtually eliminates splashback.
- KOHLER-engineered water flushing spreader successfully rinses the inverted back wall, sides, and front of the urinal basin for a more sanitary customer experience.
- 3/4" top spud.
- 15-5/8" extended rim allows for ADA installation.
- Includes removable strainer, 2" outlet spud, universal mounting bracket, and hangers.
- Large footprint covers old urinal wall print.
- Washout
- 3/4" top spud.
- Includes removable strainer, 2" outlet spud, universal mounting bracket, and hangers.
- 0.125 gpf (0.47 lpf)
- 15-5/8" (397 mm) extended rim.

Material

- Constructed of vitreous china.
- Vitreous china

Installation

- 29-5/8" H x 15" W x 15-5/8" D

Water Conservation & Rebates

- Ultra low consumption. Operates at 0.125 gpf (0.47 lpf).
- Offers 80% water savings compared to standard 1.0-gpf urinals.
- This product can help a building earn Water Efficiency points in the LEED Green Building Rating System™. See specification sheet for water use data.
- WaterSense® compliant when used with WaterSense flushometer.
- WaterSense® compliant when used with WaterSense® flushometer.

Recommended Accessories

K-10668 WAVE DC 1/8 GPF Urinal Flushometer
K-10949 Tripoint™ DC 1/8 GPF Urinal Flushometer
K-13520 Manual 1/8 GPF Urinal Flushometer

Components

Additional included component/s: 3/4" inlet spud, 2" outlet spud, Hanger (2 required), Universal mounting bracket, and Removable strainer.



ADA

Codes/Standards





ASME A112.19.2/CSA B45.1
DOE - Energy Policy Act 1992
EPA WaterSense®
California Energy Commission (CEC)
ADA
ICC/ANSI A117.1

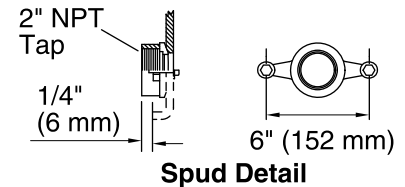
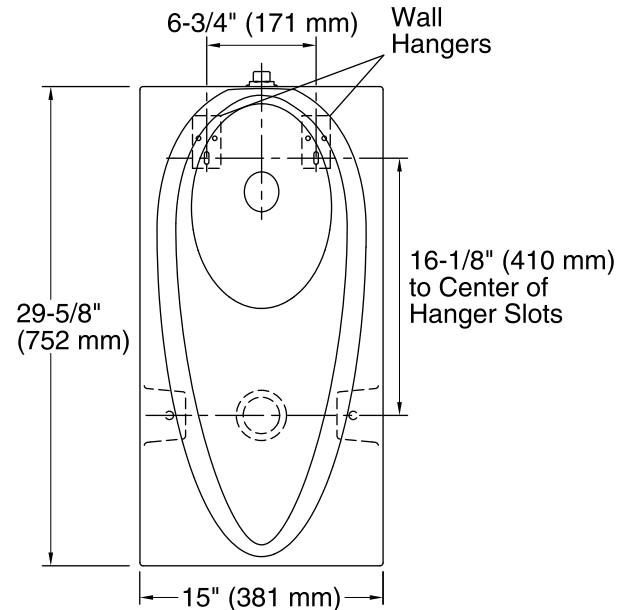
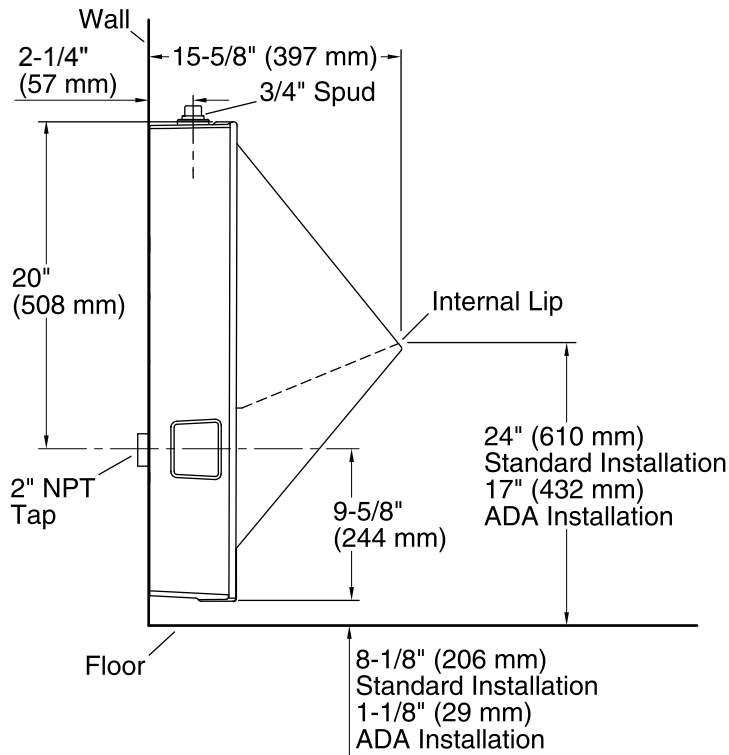
KOHLER® One-Year Limited Warranty

See website for detailed warranty information.

Available Color/Finishes

Color tiles intended for reference only.

Color	Code	Description
	0	White
	96	Biscuit
	47	Almond
	7	Black Black™



Technical Information

All product dimensions are nominal.

Flush outlet Washout
technology:

Spud size: 3/4", inlet, Top

Min. Water per Flush: 0.125 gal (0.5 L)

Designed for the above water use when installed with a water-saving flushometer.

Notes

Install this product according to the installation guide.

NOTICE: For ADA compliance, measurement must be from the floor to the top of the internal lip.

ADA compliant when installed to the specific requirements of these regulations.