

Features

- *ExoCrylic™*
- *Slotted overflow for maximum bathing depth*
- *Low threshold height*
- *Integral lumbar support*
- *Drop-in or 3-side integral flange [-L, -R]*
- *60" (1524 mm) x 30" (762 mm) x 19" (483 mm)*

5' DROP-IN BATH
K-1946

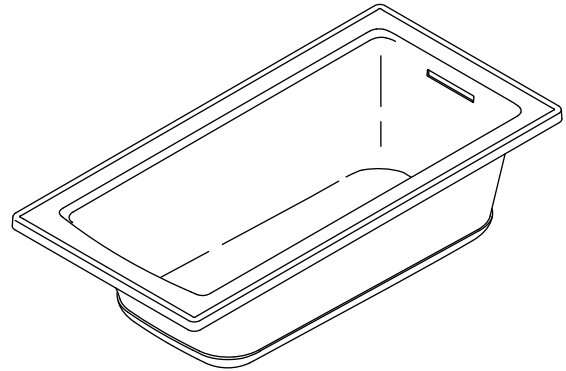
ALSO K-1946-L, K-1946-R

ADA

Codes/Standards Applicable

Specified model meets or exceeds the following:

- ADA
- ICC/ANSI A117.1
- CSA B45.5/IAPMO Z124



Colors/Finishes

- 0: White
- Other: Refer to Price Book for additional colors/finishes

Accessories:

- CP: Polished Chrome
- Other: Refer to Price Book for additional colors/finishes

Specified Model

| Model | Description | Colors/Finishes | |
|-----------------------------|--|-----------------------------|-------------------------------------|
| K-1946 | 5' bath – drop-in (shown) | <input type="checkbox"/> 0 | <input type="checkbox"/> Other_____ |
| K-1946-L | 5' bath – 3-side integral flange, left drain | <input type="checkbox"/> 0 | <input type="checkbox"/> Other_____ |
| K-1946-R | 5' bath – 3-side integral flange, right drain | <input type="checkbox"/> 0 | <input type="checkbox"/> Other_____ |
| Required Accessories | | | |
| K-7271 | Clearflo slotted overflow brass bath drain OR | <input type="checkbox"/> CP | <input type="checkbox"/> Other_____ |
| K-7272 | Clearflo slotted overflow bath drain – PVC pipe | <input type="checkbox"/> CP | <input type="checkbox"/> Other_____ |

Product Specification:

The ExoCrylic drop-in bath shall be 60" (1524 mm) in length, 30" (762 mm) in width, and 19" (483 mm) in height. Bath shall have slotted overflow for maximum bathing depth, low threshold height, and integral lumbar support. Bath shall be for drop-in or 3-side integral flange [-L, -R]. Bath shall be Kohler Model K-1946-_____-_____.

ARCHER®

Technical Information

| | |
|---|---|
| Fixture*: | |
| Bathing well | |
| Basin area, bottom | 45-1/8" (1146 mm) x 19-11/16" (500 mm) |
| Basin area, top | 52-1/8" (1324 mm) x 22-1/16" (560 mm) |
| Weight | 58 lbs (26.3 kg) |
| To overflow | |
| Water depth | 15-1/8" (384 mm) |
| Capacity | 57 gal (216.9 L) |
| * Approximate measurements for comparison only. | |
| Drop-in cutout | 58-1/2" (1486 mm) x 28-1/2" (724 mm) |

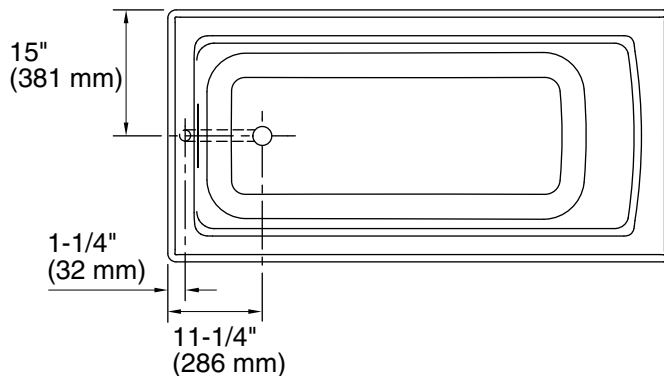
Installation Notes

Install this product according to the installation guide.

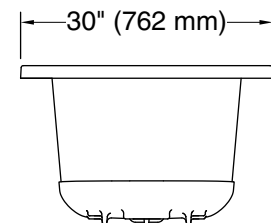
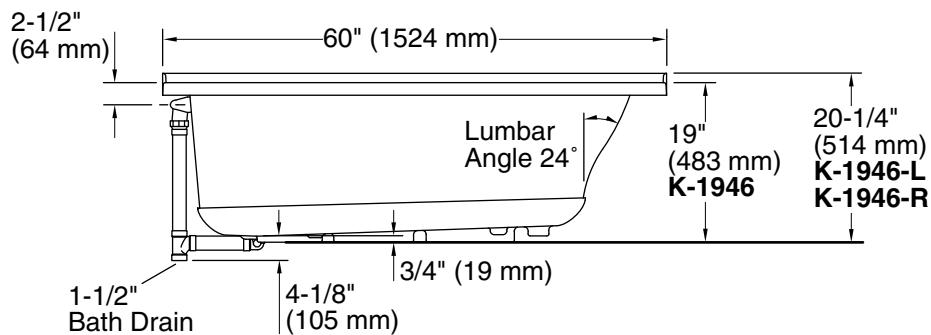
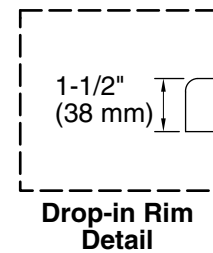
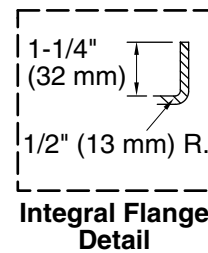
Floor support under this product must provide for a minimum of 45 lbs/square foot (218 kg/square meter) loading.

The hot water supply should be 70% of the capacity of the bath or greater. Installations will vary.

Will comply with **ADA** when installed per Section 607 Bathtubs of the Act.



No change in measurements if connected with drain illustrated. (K-7272)



Product Diagram