

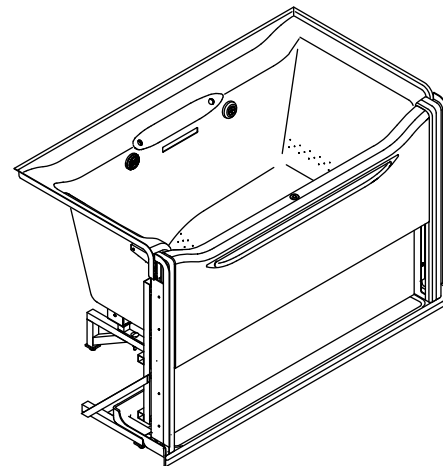
ELEVANCE® RISING WALL

5' BUBBLEMASSAGE™ WITH BASK™ HEATED SURFACE K-1914-GLW

ADA

Features

- Acrylic
- Bask™ heated lumbar support with three temperature settings
- 59 BubbleMassage™ airjets
- Blower motor with 300 W heater and electrical user control, with a grounding-type plug-in cord
- Rising side wall is easy to lift, requiring less than 5 pounds (2.26 kilograms) of force
- 3-wall alcove installation
- Left drain
- 60-1/4" (1530 mm) x 33-1/2" (851 mm) x 39-1/4" (997 mm)



Codes/Standards Applicable

Specified model meets or exceeds the following:

- ADA
- ICC/ANSI A117.1
- ASME A112.19.15/CSA B45.15
- ASME A112.19.7/CSA B45.10
- CSA B45.5/IAPMO Z124
- UL 1795

Colors/Finishes

- 0: White
- CP: Polished Chrome
- PB: Vibrant® Polished Brass
- Other: Refer to Price Book for additional colors/finishes

Specified Model

Model	Description	Colors/Finishes
K-1914-GLW	5' BubbleMassage bath with Bask heated surface – left drain	<input type="checkbox"/> 0

Required Accessories				
K-1010	Grab bar	<input type="checkbox"/> CP	<input type="checkbox"/>	<input type="checkbox"/> Other_____
K-7271	Clearflo slotted overflow brass bath drain OR	<input type="checkbox"/> CP	<input type="checkbox"/> PB	<input type="checkbox"/> Other_____
K-7272	Clearflo slotted overflow bath drain - PVC pipe	<input type="checkbox"/> CP	<input type="checkbox"/> PB	<input type="checkbox"/> Other_____

Recommended Accessories				
K-2971-KS	HiFlow Rite-Temp® valve with stops		<input type="checkbox"/> NA	
K-728-K	Mastershower® three-way/two-way transfer valve		<input type="checkbox"/> NA	
K-977	Handspray hose	<input type="checkbox"/> CP		
K-8820	Strainer drain	<input type="checkbox"/> CP		
K-10257	Ellipse handshower - black handle	<input type="checkbox"/> CP		
K-11891	Purist® grab bar			<input type="checkbox"/> Other_____

Note

Installations at high altitude may affect product performance. Contact Kohler Co. if installing more than 6000' (1828.8 m) above sea level.

ELEVANCE® RISING WALL

Technical Information

Fixture*:	
Bathing well:	
Basin area, bottom	43" (1092 mm) x 22-1/2" (572 mm)
Basin area, top	48-3/4" (1238 mm) x 23-3/8" (594 mm)
Weight	286 lbs (129.7 kg)
To overflow:	
Water depth	14" (406 mm) at the seat area, 19-3/4" (502 mm) at the drain area
Recommended water depth at the seat area is 9-1/2" (241 mm) for an optimized BubbleMassage experience.	
Capacity	72 gal (273 L) without a bather
* Approximate measurements for comparison only.	
	V A Hz
Door/Blower/System controller/Heated surface	120 10.5 60

Required Electrical Service

Dedicated circuit required, protected with Class A Ground-Fault Circuit-Interrupter (GFCI) or Residual Current Device (RCD). Locate a quadplex receptacle within 24" (610 mm) of the door/system controller, blower, and junction box for the heated surface.

Door/Blower/System controller/Heated surface	120 V, 15 A, 60 Hz
--	--------------------

Installation Notes

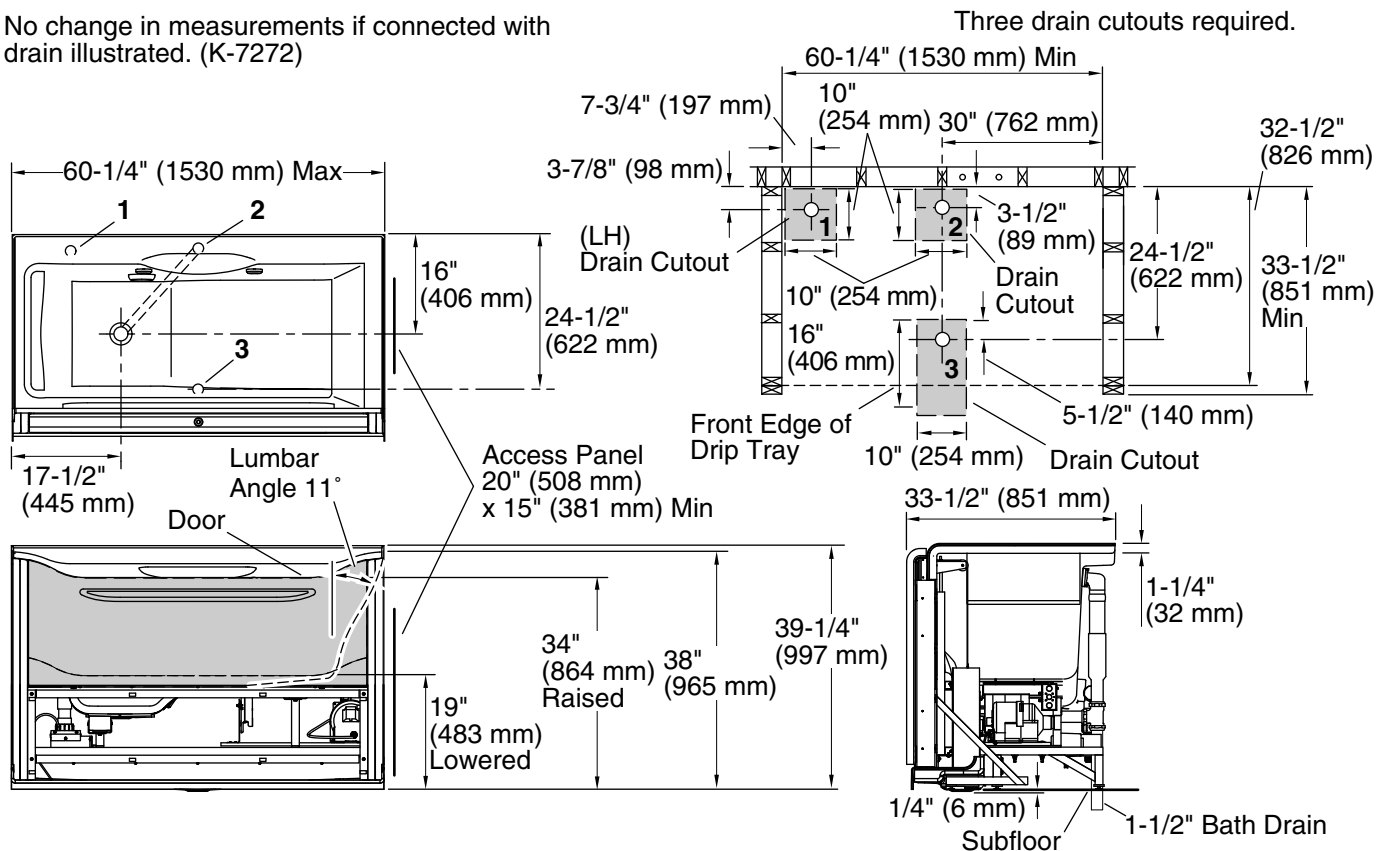
Install this product according to the installation guide. Floor support under the bath must provide for a minimum of 60 lbs/square foot (293 kg/square meter) loading.

NOTICE: Three drains are required. Drains 1 and 2 require a 10" (254 mm) x 10" (254 mm) cutout. Drain 3 requires a 10" (254 mm) x 10" (254 mm) cutout if accessible from below. For above-floor access, make a 10" (254 mm) x 16" (406 mm) cutout. Support the finished floor accordingly.

A 350 VA size or greater Uninterruptible Power Supply (UPS) is recommended for areas of routine or prolonged power outages.

Will comply with **ADA** when installed per Section 607 Bathtubs of the ADA 2010 Standards for Accessible Design.

No change in measurements if connected with drain illustrated. (K-7272)



Product Diagram