

ELEVANCE® RISING WALL

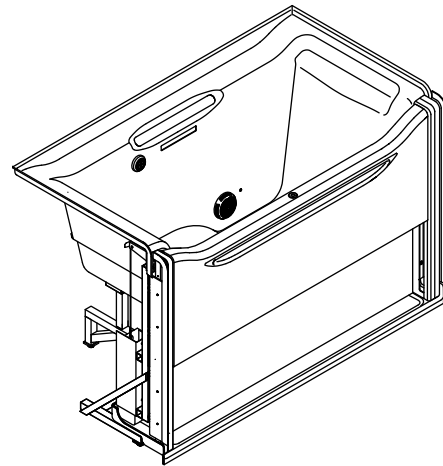
5' BATH WITH BASK™ HEATED SURFACE

K-1913-RBW

ADA

Features

- Acrylic
- Bask™ heated lumbar support with three temperature settings
- ADA compliant per recommended specification
- Factory-installed polished chrome grab bar and bath drain
- Rising side wall is easy to lift, requiring less than 5 pounds (2.26 kilograms) of force
- 3-wall alcove installation
- Right drain
- Fills bath within 4 minutes when using 3/4" supply valve and piping
- 60-1/4" (1530 mm) x 33-1/2" (851 mm) x 39-1/4" (997 mm)



Codes/Standards Applicable

Specified model meets or exceeds the following:

- ADA
- ICC/ANSI A117.1
- ASME A112.19.15/CSA B45.15
- CSA B45.5/IAPMO Z124
- ASTM E162
- ASTM E662
- UL 1795

Colors/Finishes

- 0: White

Specified Model

Model	Description	Colors/Finishes
K-1913-RBW	5' Bath with Bask heated surface – right drain with grab bar in color CP	<input type="checkbox"/> 0

Recommended Accessories

K-728-K	Mastershower® three-way/two-way transfer valve	<input type="checkbox"/> NA
K-977	Handspray hose	<input type="checkbox"/> CP <input type="checkbox"/> NA
K-1010	Grab bar (non-CP finish)	<input type="checkbox"/> PB <input type="checkbox"/> Other_____
K-2971-KS	HiFlow Rite-Temp® valve with stops	<input type="checkbox"/> NA
K-7272	Adjustable pop-up drain (non-CP finish)	<input type="checkbox"/> PB <input type="checkbox"/> Other_____
K-8820	Strainer drain	<input type="checkbox"/> CP
K-10257	Ellipse handshower - black handle	<input type="checkbox"/> CP
K-11891	Purist® grab bar	<input type="checkbox"/> Other_____

Note

Installations at high altitude may affect product performance. Contact Kohler Co. if installing more than 6000' (1828.8 m) above sea level.

ELEVANCE® RISING WALL

Technical Information

Fixture*:	
Bathing well:	
Basin area, bottom	43" (1092 mm) x 22-1/2" (572 mm)
Basin area, top	48-3/4" (1238 mm) x 23-3/8" (594 mm)
Weight	266 lbs (119.7 kg)
To overflow:	
Water depth	14" (406 mm) at the seat area, 19-3/4" (502 mm) at the drain area
Capacity	72 gal (273 L) without a bather
* Approximate measurements for comparison only.	

	V	A	Hz
Door/System controller/Heater	120	1	60

Required Electrical Service

120 V circuit required. Locate a Class A Ground-Fault Circuit-Interrupter (GFCI) or Residual Current Device (RCD) duplex outlet within 24" (610 mm) of the door/system controller.

Door/System controller/Heater	120 V, 15 A, 60 Hz
-------------------------------	--------------------

Installation Notes

Install this product according to the installation guide.

Floor support under the bath must provide for a minimum of 60 lbs/square foot (293 kg/square meter) loading.

NOTICE: Three drains are required. Drains 1 and 2 require a 10" (254 mm) x 10" (254 mm) cutout. Drain 3 requires a 10" (254 mm) x 10" (254 mm) cutout if accessible from below. For above-floor access, make a 10" (254 mm) x 16" (406 mm) cutout. Support the finished floor accordingly.

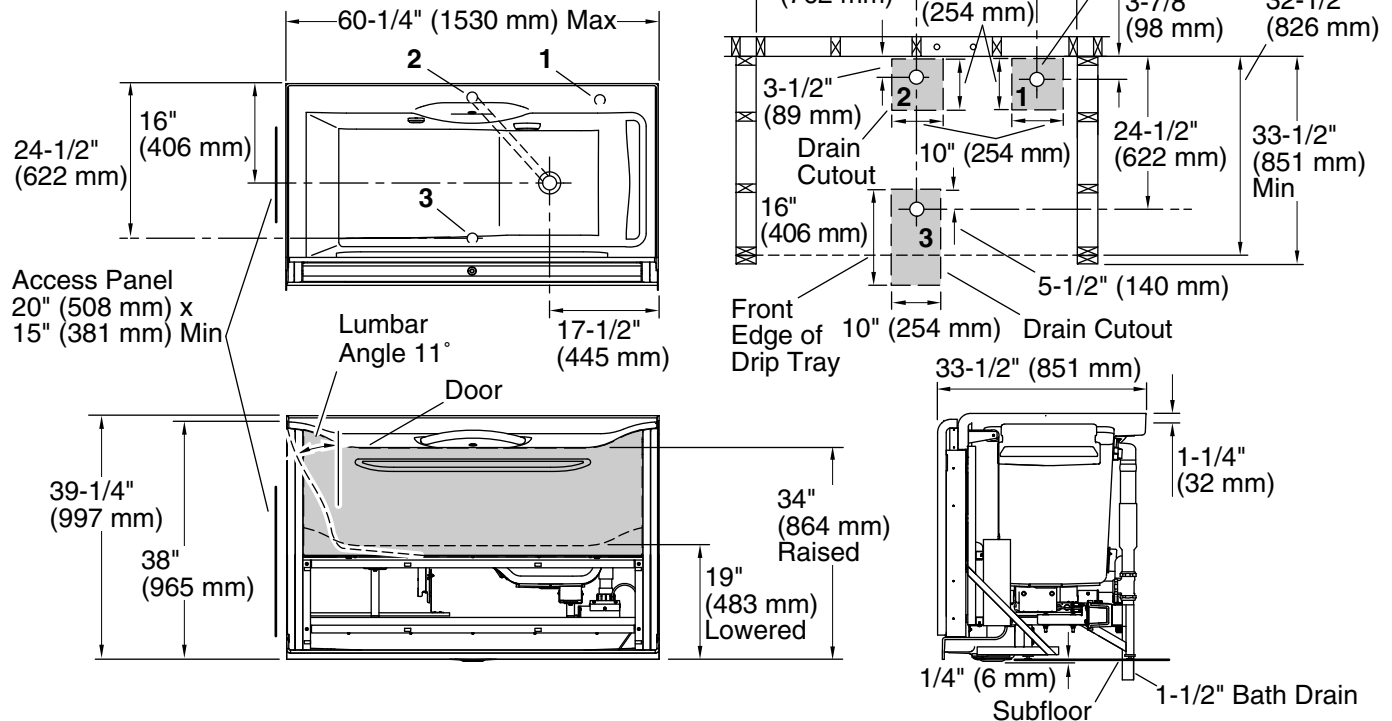
A 350 VA size or greater Uninterruptible Power Supply (UPS) is recommended for areas of routine or prolonged power outages.

Locate a GFCI-protected 120 V, 15 A, grounded duplex electrical outlet within 24" (610 mm) of the door/system controller.

Will comply with **ADA** when installed per Section 607 Bathtubs of the ADA 2010 Standards for Accessible Design.

Fixture conforms to CSA B45.5/IAPMO Z124. All dimensions are nominal.

No change in measurements if connected with drain illustrated. (K-7272)



Product Diagram