



Features

- Flange helps prevent water from seeping behind wall and simplifies alcove installation.
- Right drain.
- Integral lumbar support and armrests for comfort.
- Slotted overflow allows for deep soaking.
- 60" (1524 mm) x 30" (762 mm) x 19" (483 mm)

Material

- Acrylic

Hydrotherapy

- 118-122 BubbleMassage™ airjets.
- Variable-speed blower lets you adjust airjet massage intensity to 18 levels.
- Variable-speed pump for adjusting hydromassage intensity.
- Zones of Control™ feature allows you to target airjet massage to back, midsection, or feet.
- Automatic purge cycles remove residual water from air channels after use.
- Single-speed whirlpool offers eight fully adjustable hydro-massage jets for water flow and direction.
- Pump with air switch for whirlpool.
- Built-in 1500 W heater.

Installation

- Three-wall alcove.

Required Accessories

K-7271 Brass Slotted Overflow Bath Drain

or

K-7272 PVC Slotted Overflow Bath Drain

or

K-9698 Flexjet® Whirlpool Trim Kit

Recommended Accessories

K-1491 Bath/Whirlpool Pillow

K-1601 Bath/Whirlpool Footstop

K-9497 2-1/2" Keypad Trim

K-24916 Wireless Music Kit



Codes/Standards

ASME A112.19.7/CSA B45.10

CSA B45.5/IAPMO Z124

ASTM E162

ASTM E662

UL 1795

CSA C22.2 No. 218.2

Greenguard UL 2818 - Gold

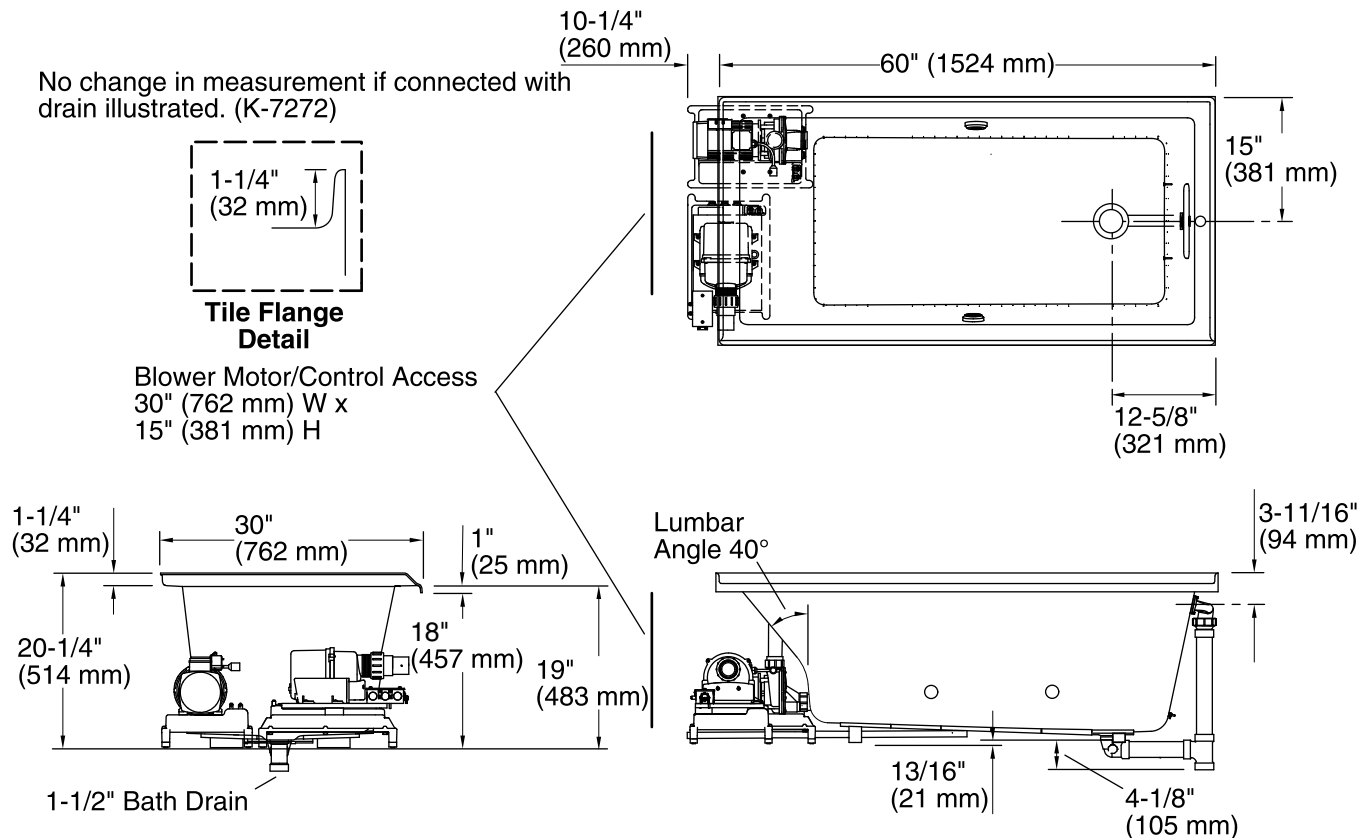
KOHLER® One-Year Limited Warranty

See website for detailed warranty information.

Available Color/Finishes

Color tiles intended for reference only.

Color	Code	Description
	0	White
	96	Biscuit
	47	Almond
	NY	Dune
	95	Ice™ Grey
	G9	Sandbar
	33	Mexican Sand™
	K4	Cashmere
	58	Thunder™ Grey
	7	Black Black™



Required Electrical Service

One dedicated circuit required, protected with Class A Ground-Fault Circuit-Interrupter (GFCI) or Residual Current Device (RCD).

Blower, Pump, 220-240 V, 20 A, 50/60 Hz
Heater:

Technical Information

All product dimensions are nominal.

Installation: 3-Wall Alcove
 Drain location: Right
 Basin area, bottom: 42-7/16" x 20" (1078 mm x 508 mm)
 Basin area, top: 54-5/16" x 24-1/4" (1380 mm x 616 mm)
 Weight: 157 lbs (71.2 kg)
 Minimum floor load: 53.9 lbs/ft² (263.2 kg/m²)
 Water depth: 15-1/8" (384 mm)
 Water capacity: 59.8 gal (226.4 L)
 Electrical component rating:
 Blower: 220-240 V, 3 A, 50/60 Hz, 300 W
 Pump: 220-240 V, 11 A, 50/60 Hz
 Heater: 220-240 V, 50/60 Hz, 1500 W
 Minimum flat for door: 1-15/16" (49 mm)

Notes

Measure your actual product for rough-in details.

Install this product according to the installation instructions.

The hot water supply should be 70% of the capacity of the bath or greater. Installations will vary.

This unit is not intended for flush-mount apron installation.

IMPORTANT! Dry fit the drain assembly prior to installing the bath. The bath cannot be installed with all drain components attached.

The pump base extends 10-1/4" (260 mm) beyond the edge of the rim. Modify the framing as needed.