



Underscore® Rectangle 5' BubbleMassage™ Whirlpool Bath K-1167-XH2G



Features

- 122 airjets release thousands of bubbles that surround, support, and massage the body.
- Variable-speed blower lets you adjust airjet massage intensity to 18 levels.
- Zones of Control™ feature allows you to target airjet massage to back, midsection, or feet.
- 8 hydromassage jets can be individually adjusted for water flow and direction.
- Variable-speed pump for adjusting hydromassage intensity.
- Built-in heater.
- Lighted keypads.
- Sloping backrest provides comfort.
- Slotted overflow allows for deep soaking.
- Immediate and manual purge cycles remove residual water from air channels after use.
- End drain.
- Requires K-7271 or K-7272 Clearflo slotted overflow bath drain and K-9698 jet trim kit (sold separately).

Material

- Acrylic

Hydrotherapy

- BubbleMassage
- Whirlpool

Installation

- Drop-in or under-mount.
- Requires 240V hard-wire electrical service.
- Under-mount installation requires kit K-531 (sold separately).

Required Accessories

K-7271 Brass Slotted Overflow Bath Drain
K-9698 Flexjet® Whirlpool Trim Kit

or

K-7272 PVC Slotted Overflow Bath Drain

Recommended Accessories

K-1491 Bath/Whirlpool Pillow
K-1601 Bath/Whirlpool Footstop
K-9497 2-1/2" Keypad Trim
K-9498 3" Keypad Trim
K-531 Under-Mount Installation Kit
K-24916 Wireless Music Kit
1184460 Under-Mount Installation Kit
K-1177 Vinyl Tiling-in Bead



Codes/Standards

ASME A112.19.7/CSA B45.10
CSA B45.5/IAPMO Z124
ASTM E162
ASTM E662
UL 1795
CSA C22.2 No. 218.2
Greenguard UL 2818 - Gold
EPA TSCA Title VI

**KOHLER® Plastic Baths and Receptors
Lifetime Limited Warranty
KOHLER® Hydrotherapy Components
Five-Year Limited Warranty**

See website for detailed warranty information.

Available Color/Finishes

Color tiles intended for reference only.

Color	Code	Description
	0	White
	96	Biscuit
	47	Almond
	NY	Dune
	95	Ice™ Grey
	G9	Sandbar
	K4	Cashmere
	58	Thunder™ Grey

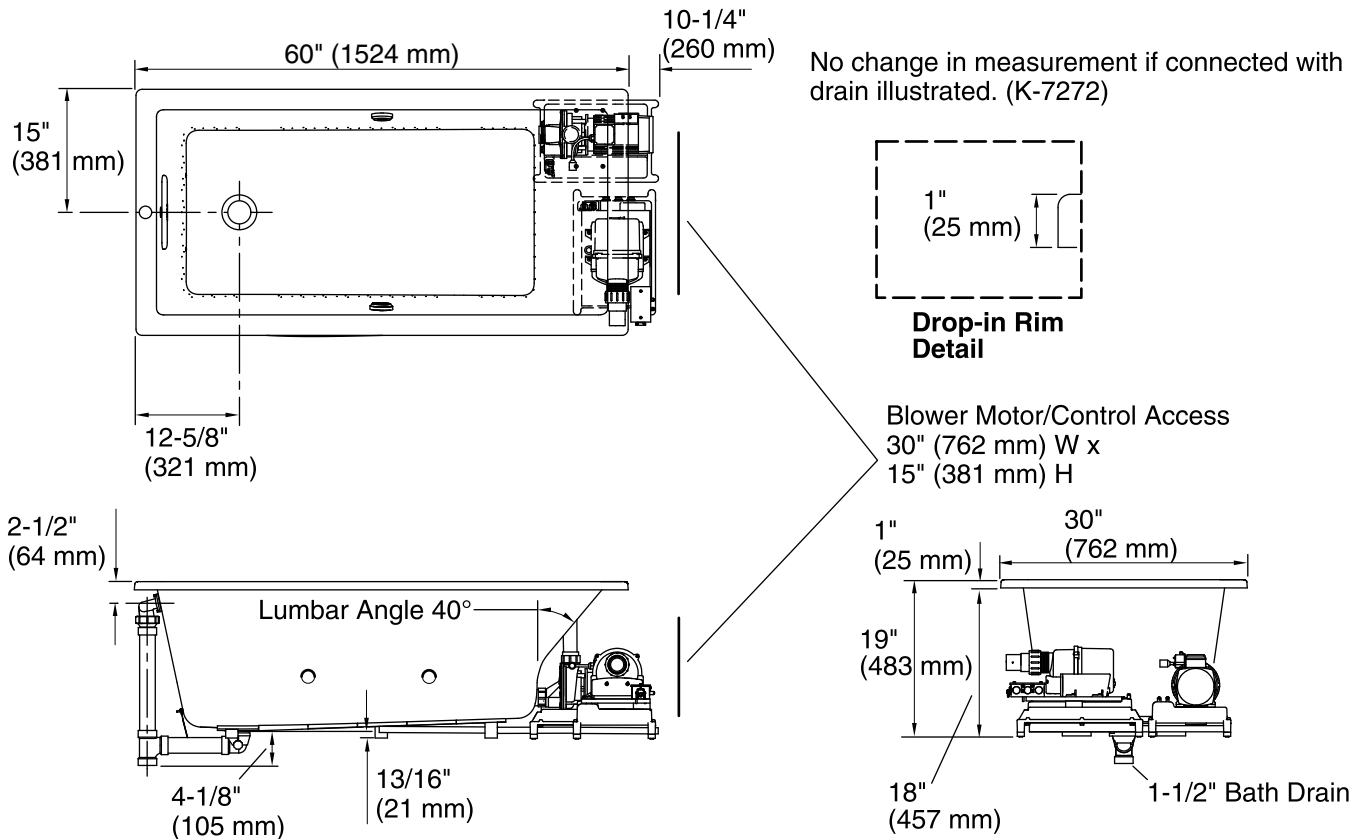
1-800-4KOHLER (1-800-456-4537)

Kohler Co. reserves the right to make revisions without notice to product specifications.

For the most current Specification Sheet, go to www.kohler.com.

12-4-2018 10:17 - US/CA/MX

THE BOLD LOOK
OF **KOHLER**®



Required Electrical Service

One dedicated circuit required, protected with Class A Ground-Fault Circuit-Interrupter (GFCI) or Residual Current Device (RCD).

Blower, Pump, 220-240 V, 20 A, 50/60 Hz
Heater:

Technical Information

All product dimensions are nominal.

Installation: Drop-in, Under-mount
 Drain location: End
 Basin area, bottom: 42-3/8" x 20" (1076 mm x 508 mm)
 Basin area, top: 54-3/8" x 24-5/16" (1381 mm x 618 mm)
 Weight: 155 lbs (70.3 kg)
 Minimum floor load: 53.6 lbs/ft² (261.7 kg/m²)
 Water depth: 15-1/16" (383 mm)
 Water capacity: 59.8 gal (226.4 L)
 Cutout: Drop-in/Top-mount (Bathing), 59-1/2" x 29-1/2" (1511 mm x 749 mm)
 Electrical component rating:
 Blower: 240 V, 5 A, 50/60 Hz
 Pump: 240 V, 11 A, 50/60 Hz
 Heater: 240 V, 50/60 Hz, 1500 W

Notes

Measure your actual product for rough-in details. Install this product according to the installation instructions.

The hot water supply should be 70% of the capacity of the bath or greater. Installations will vary.

The pump base extends 10-1/4" (260 mm) beyond the edge of the rim. Modify the framing as needed.

Kit is required for under-mount installations (sold separately).

Drop-in installation requires custom framing.

IMPORTANT! Dry fit the drain assembly prior to installing the bath. The bath cannot be installed with all drain components attached.

For under-mount installations, kit K-531 is available to order.