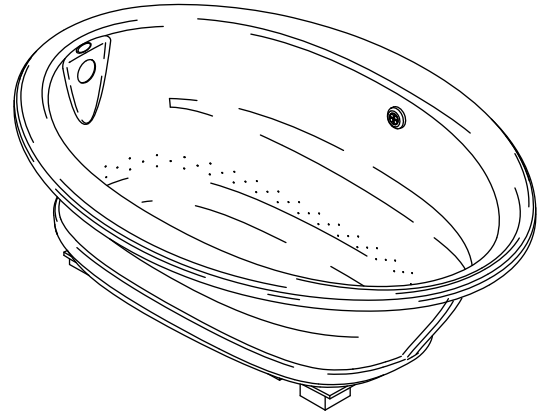


Features

- Acrylic
- Bask™ heated lumbar support with three temperature settings
- 120 BubbleMassage™ airjets
- Blower motor with 300 W heater and electronic user control
- Molded lumbar support and armrests for comfort
- Drop-in installation
- Reversible drain
- 72" (1829 mm) x 42" (1067 mm) x 21" (533 mm)

6' BUBBLEMASSAGE™ BATH WITH BASK™ K-1164-GW



Codes/Standards Applicable

Specified model meets or exceeds the following:

- ASME A112.19.7/CSA B45.10
- ASTM E162
- ASTM E662
- CSA B45.5/IAPMO Z124
- UL 1795

Colors/Finishes

- 0: White
- Other: Refer to Price Book for additional colors/finishes
- CP: Polished Chrome
- PB: Vibrant® Polished Brass

Specified Model

Model	Description	Colors/Finishes	
K-1164-GW	6' Bubblemassage bath with Bask	<input type="checkbox"/> 0	<input type="checkbox"/> Other_____
Recommended Accessories			
K-11677	Swiftflo™ adjustable trip lever drain	<input type="checkbox"/> CP	<input type="checkbox"/> PB
Optional Accessories			
K-577	Under-mount kit	<input type="checkbox"/> NA	

Product Specification

The acrylic bath with airjets shall be 72" (1829 mm) in length, 42" (1067 mm) in width, and 21" (533 mm) in height. Product shall feature Bask heated surface with three temperature settings. Bath shall have 120 BubbleMassage airjets and a blower motor with 300 W heater and electronic user control. Bath shall have molded lumbar supports and armrests for comfort. Bath shall be for drop-in installation. Bath shall have reversible drain. Bath shall be Kohler Model K-1164-GW-_____.

SUNWARD®

Technical Information

Fixture*:	
Bathing well;	
Basin area, bottom	55-1/4" (1403 mm) x 23-1/2" (597 mm)
Basin area, top	64-1/2" (1638 mm) x 32" (813 mm)
Weight	118 lbs (53.5 kg)
To overflow:	
Water depth	15" (381 mm)
Capacity	75 gal (284.1 L)
* Approximate measurements for comparison only.	

Included components:	
Cut-out template	1042557-7

	V	Hz	A
Blower motor	120	60	10
Heated surface	120	60	0.5

Required Electrical Service

Dedicated circuit required, protected with Class A Ground-Fault Circuit-Interrupter (GFCI) or Residual Current Device (RCD):

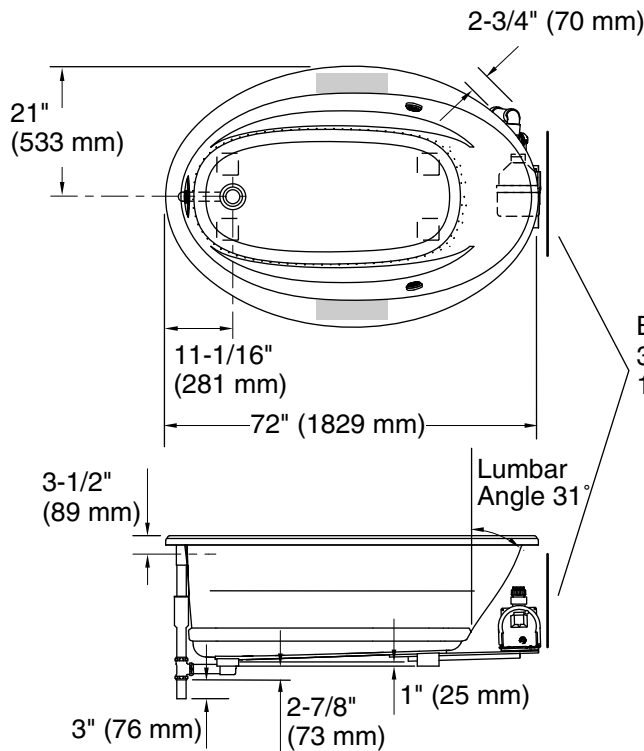
Blower motor/Heated surface	120 V, 15 A, 60 Hz
-----------------------------	--------------------

Installation Notes

Install this product according to the installation guide.

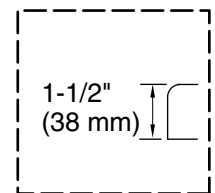
Floor support under bath must provide for a minimum of 37 lbs/square foot (178 kg/square meter) loading.

Locate a GFCI-protected 120 V, 15A, grounded duplex electrical outlet within 24" (610 mm) of the blower motor.



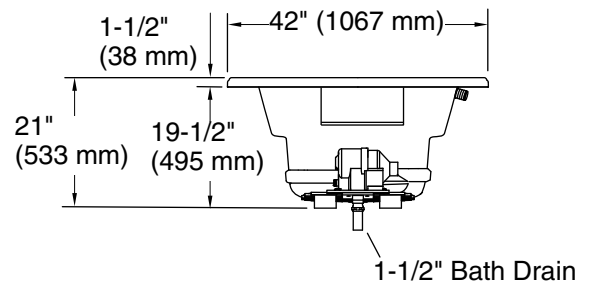
No change in measurements if connected with drain illustrated. (K-11677)

Recommended faucet area



Drop-In Rim Detail

Blower/Control Access
30" (762 mm) W x
15" (381 mm) H Min



Product Diagram