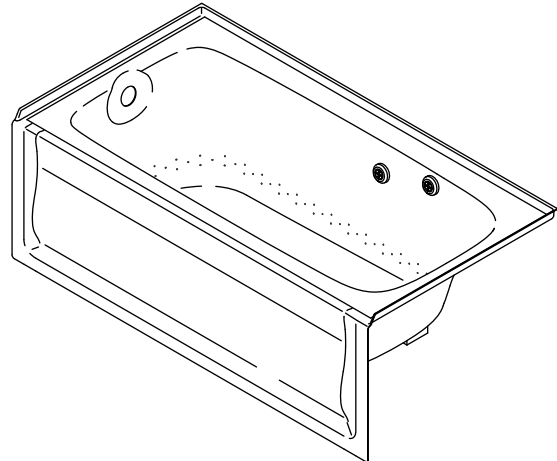


### Features

- Acrylic
- Bask™ heated lumbar support with three temperature settings
- Slotted overflow for maximum bathing depth
- 120 BubbleMassage™ airjets
- Comfort Depth® design offers a 19" (483 mm) step-over height
- Blower motor with 300 W heater and electronic user control
- Molded lumbar support for comfort
- Integral apron with removable access panel
- Integral tile flange
- 3-wall alcove installation
- Left or right drain
- 60" (1524 mm) x 32" (813 mm) x 21-1/4" (540 mm)

### 5' BUBBLEMASSAGE™ BATH WITH BASK™ HEATED SURFACE K-1151-GLAW ALSO K-1151-GRAW



### Codes/Standards Applicable

Specified model meets or exceeds the following:

- CSA B45.5/IAPMO Z124
- ASTM E162
- ASTM E662
- ASME A112.19.7/CSA B45.10
- UL 1795

### Colors/Finishes

- 0: White
- Other: Refer to Price Book for additional colors/finishes

### Accessories

- CP: Polished Chrome
- NA: None applicable
- Other: Refer to Price Book for additional colors/finishes

### Specified Model

Model	Description	Colors/Finishes	
K-1151-GLAW	5' BubbleMassage bath with Bask heated surface – left drain (shown)	<input type="checkbox"/> 0	<input type="checkbox"/> Other_____
K-1151-GRAW	5' BubbleMassage bath with Bask heated surface – right drain	<input type="checkbox"/> 0	<input type="checkbox"/> Other_____

#### Recommended Accessories

K-1446	Remote blower installation kit	NA		
K-11677	Swiftflo™ adjustable trip lever drain		<input type="checkbox"/> CP	<input type="checkbox"/> Other_____

#### Optional Accessories

K-9497	2-1/2" (64 mm) metal finish keypad trim		<input type="checkbox"/> CP	<input type="checkbox"/> Other_____
--------	---	--	-----------------------------	-------------------------------------

### Product Specification

The acrylic BubbleMassage bath shall be 60" (1524 mm) in length, 32" (813 mm) in width, and 21-1/4" (540 mm) in height. Bath shall have a blower motor with 300 W heater and electronic user control, and 120 BubbleMassage airjets. Bath shall feature Bask heated lumbar support with three temperature settings. Bath shall have left or right drain. Bath shall have slotted overflow for maximum bathing depth. Bath shall have molded lumbar support for comfort, integral apron with removable access panel, and integral tile flange. Bath shall feature Comfort Depth design, which offers a 19" (483 mm) step-over height. Bath shall be for 3-wall alcove installation. BubbleMassage bath shall be Kohler Model K-1151-\_\_\_\_-\_\_\_\_.

# BANCROFT®

## Technical Information

Fixture*:	
Bathing well:	
Basin area, bottom	45" (1143 mm) x 22" (559 mm)
Basin area, top	54" (1372 mm) x 25" (635 mm)
Weight	106 lbs (48.1 kg)
To overflow:	
Water depth	15" (381 mm)
Capacity	60 gal (227.1 L)
* Approximate measurements for comparison only.	

	W	V	Hz	A
Blower motor	300	120	60	10
Heated surface	65	120	60	.5

## Required Electrical Service

Dedicated circuit required, protected with Class A Ground-Fault Circuit-Interrupter (GFCI).	
Blower motor/Heated surface	120 V, 15 A, 60 Hz
Blower motor and heated surface are supplied with separate 24" (610 mm) grounding-type plug-in cords.	

## Installation Notes

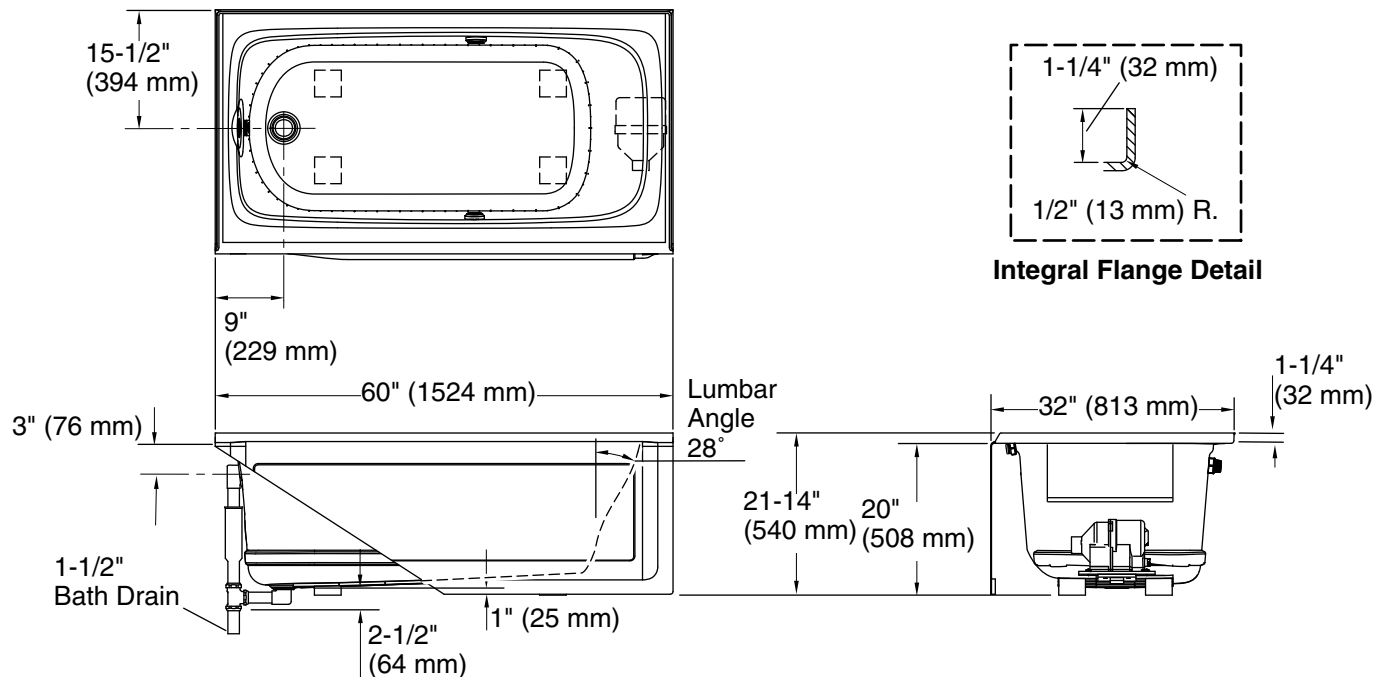
Install this product according to the installation guide.

**NOTICE:** Relocation of the blower motor and check valve is optional. Mount the blower motor and check valve together; do not move one without the other. An additional access panel is required for relocation. Provide an access panel at the blower motor/control location.

Floor support under the bath must provide for a minimum of 49 lbs/square foot (238 kg/square meter) loading.

Locate a GFCI-protected 120 V, 15 A, grounded duplex electrical outlet within 24" (610 mm) of the blower motor.

No change in measurements if connected with drain illustrated. (K-11677)



## Product Diagram