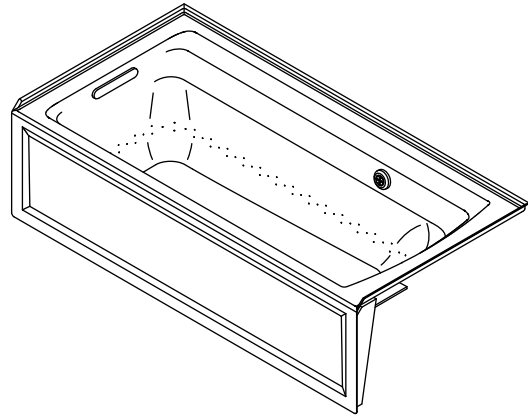


Features

- Acrylic
- Bask™ heated lumbar support with three temperature settings
- Slotted overflow for maximum bathing depth
- 120 BubbleMassage™ airjets
- Blower motor with 300 W heater and electronic user control
- Comfort Depth® design offers a 19" (483 mm) step-over height
- Molded lumbar support and armrests
- Integral apron with removable access panel
- Left or right drain
- 3-wall alcove with integral tile flange
- 72" (1829 mm) x 36" (914 mm) x 20-1/4" (514 mm)

6' BUBBLEMASSAGE™ BATH WITH BASK™ HEATED SURFACE K-1124-GLAW ALSO K-1124-GRAW

ADA



Codes/Standards Applicable

Specified model meets or exceeds the following:

- ADA
- ICC/ANSI A117.1
- CSA B45.5/IAPMO Z124
- ASTM E162
- ASTM E662
- UL 1795
- ASME A112.19.7/CSA B45.10

Colors/Finishes

- 0: White
- Other: Refer to Price Book for additional colors/finishes

Specified Model

Model	Description	Colors/Finishes	
K-1124-GLAW	6' BubbleMassage bath with Bask heated surface – left drain (shown)	<input type="checkbox"/> 0	<input type="checkbox"/> Other _____
K-1124-GRAW	6' BubbleMassage bath with Bask heated surface – right drain	<input type="checkbox"/> 0	<input type="checkbox"/> Other _____

Required Accessories

K-7271	Clearflo slotted overflow brass bath drain OR	<input type="checkbox"/> CP	<input type="checkbox"/> PB	<input type="checkbox"/> Other _____
K-7272	Clearflo slotted overflow bath drain – PVC pipe	<input type="checkbox"/> CP	<input type="checkbox"/> PB	<input type="checkbox"/> Other _____

Recommended Accessories

K-1446	Remote blower installation kit	NA
--------	--------------------------------	----

Product Specification

The acrylic BubbleMassage bath shall be 72" (1829 mm) in length, 36" (914 mm) in width, and 20-1/4" (514 mm) in height. Bath shall have a blower motor with 300 W heater and electronic user control, and 120 BubbleMassage airjets. Bath shall feature Bask heated lumbar support with three temperature settings. Bath shall have left or right drain. Bath shall have slotted overflow for maximum bathing depth. Bath shall have molded lumbar support and armrests for comfort, and integral apron with removable access panel. Bath shall feature Comfort Depth design, which offers a 19" (483 mm) step-over height. Bath shall be for 3-wall alcove installation with integral tile flange. BubbleMassage bath shall be Kohler Model K-1124-____-____.

ARCHER®

Technical Information

Fixture*:	
Bathing well:	
Basin area, bottom	51-3/8" (1305 mm) x 21" (533 mm)
Basin area, top	64-1/2" (1638 mm) x 30-1/2" (775 mm)
Weight	121 lbs (54.9 kg)
To overflow:	
Water depth	15" (381 mm)
Capacity	72 gal (273 L)
* Approximate measurements for comparison only.	

	W	V	Hz	A
Blower motor	300	120	60	10
Heated surface	65	120	60	.5

Required Electrical Service

Dedicated circuit required, protected with Class A Ground-Fault Circuit-Interrupter (GFCI).	
Blower motor/Heated surface	120 V, 15 A, 60 Hz

Blower motor and heated surface are supplied with separate 24" (610 mm) grounding-type plug-in cords.

Installation Notes

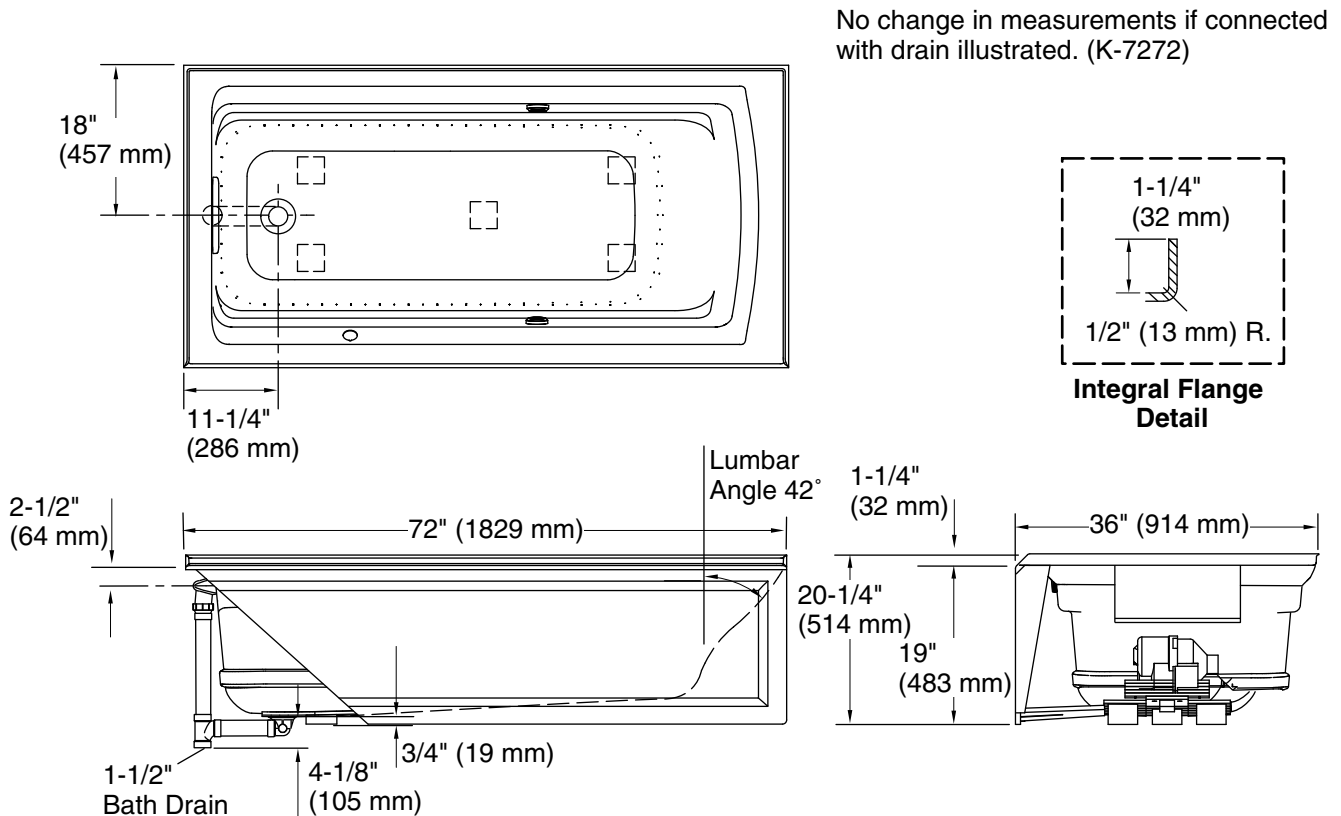
Install this product according to the installation guide.

NOTICE: Relocation of the blower motor and check valve is optional. Mount the blower motor and check valve together; do not move one without the other. An additional access panel is required for relocation. Provide an access panel at the blower motor/control location.

Floor support under this product must provide for a minimum of 42 lbs/square foot (201 kg/square meter) loading.

Will comply with **ADA** when installed per Section 607 Bathtubs of the ADA 2010 Standards for Accessible Design.

Locate a GFCI-protected 120 V, 15 A, grounded duplex electrical outlet within 24" (610 mm) of the blower motor.



Product Diagram