



**Toccata™**  
Top-mount Kitchen Sink  
**K-4015-4**

**Features**

- 36-inch minimum base cabinet width.
- 19-gauge stainless steel.
- Top-mount.
- Double (equal) compartment.
- Includes installation hardware.
- Includes SilentShield® sound-absorption technology.
- 33" (838 mm) x 22" (559 mm)

**Optional Accessories**

- K-3294 Cutting Board
- K-6401 Sink Rack
- K-8801 Sink Strainer
- 1177161 Installation Clip Kit

**Components**

- Product includes:
- 1177160 Hardware Kit, Top-mount



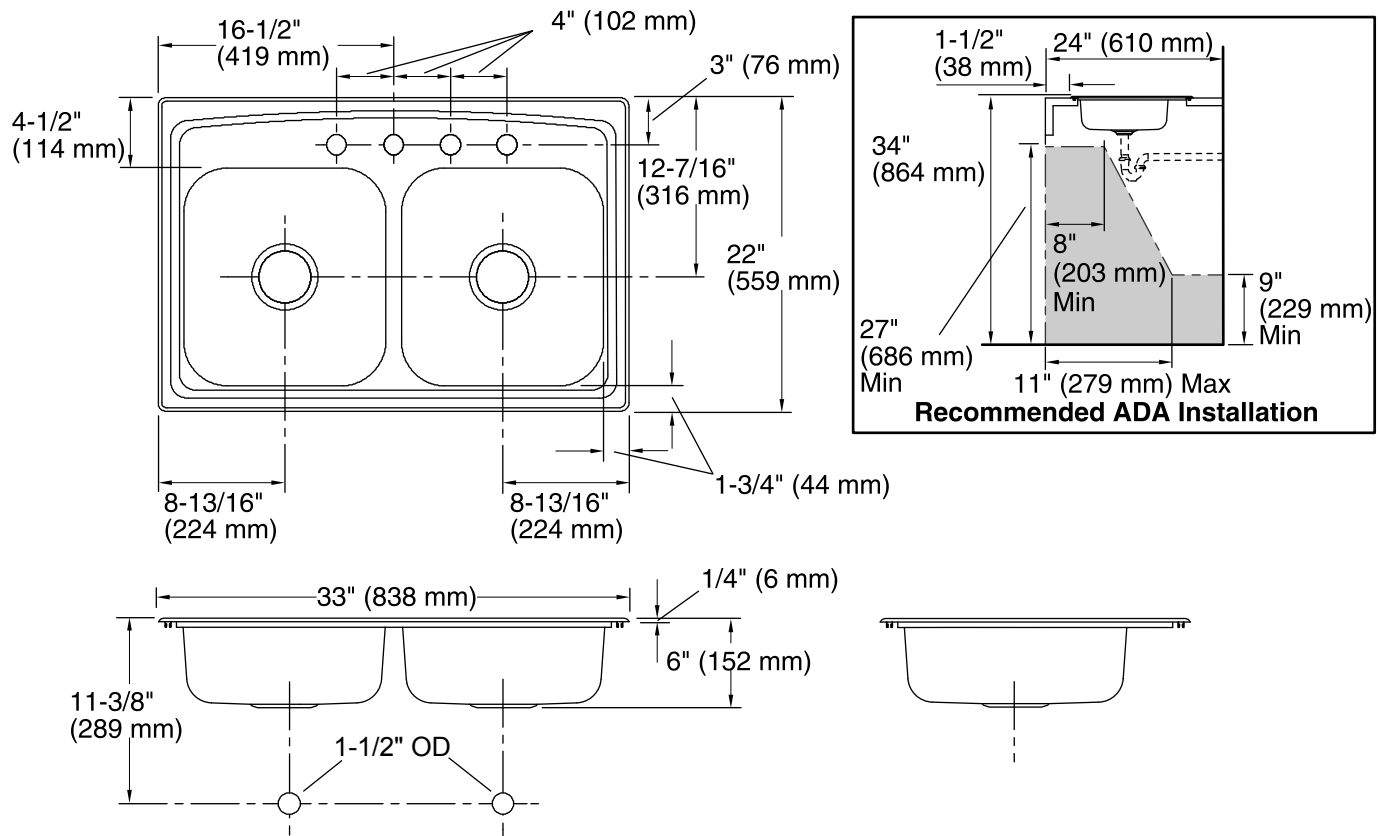
**ADA**

**Codes/Standards**

- ASME A112.19.3/CSA B45.4
- ADA
- ICC/ANSI A117.1

**Lifetime Limited Warranty for  
KOHLER® Stainless Steel Sinks**

See website for detailed warranty information.



### Technical Information

All product dimensions are nominal.

Bowl configuration: Double equal

Installation: Top-mount

Cutout: Top-mount, 32-1/2" x 21-1/2" (826 mm x 546 mm) with 1/2" (13 mm) radius corners

Bowl area (Left) Length: 14-3/16" (360 mm)

Width: 15-3/4" (400 mm)

Bowl depth: 6" (152 mm)

Water depth: 6" (152 mm)

Bowl area (Right) Length: 14-3/16" (360 mm)

Width: 15-3/4" (400 mm)

Bowl depth: 6" (152 mm)

Water depth: 6" (152 mm)

Number of deck holes: 4

Faucet hole(s): 1-7/16" (37 mm)

Drain hole: 3-5/8" (92 mm)

### Notes

Install this product according to the installation instructions.

ADA compliant when installed to the specific requirements of these regulations.