

### Features

- Showerhead features contemporary design.
- Advanced spray engine provides three alternate experiences: wide coverage, intense drenching, and targeted spray.
- Wide coverage spray produces an encompassing spray for everyday use.
- Intense drenching spray delivers a forceful spray ideal for rinsing soap from hair.
- Targeted spray is a focused stream for targeting sore muscles or use as a utility spray.
- Simple thumb tab allows for a smooth transition between sprays
- Spray nozzles cover full area of sprayhead.
- MasterClean™ sprayface is easy to clean.
- 2.0 gpm (gallons per minute) showerhead flow rate.
- 1/2-inch NPT connection.

### Material

- KOHLER finishes resist corrosion and tarnishing.

### Installation

- Wall-mount.

### Water Conservation & Rebates

- WaterSense®-labeled 2.0-gpm handshowers use up to 20 percent less water than standard 2.5-gpm handshowers, while still meeting strict performance guidelines.
- This product can help a building earn Water Efficiency points in the LEED® Green Building Rating System.

### Recommended Accessories

- K-7395 Shower Arm and Flange
- K-7397 Shower Arm and Flange



### Codes/Standards

ASME A112.18.1/CSA B125.1  
EPA WaterSense®



### Kohler Faucet Lifetime Limited Warranty

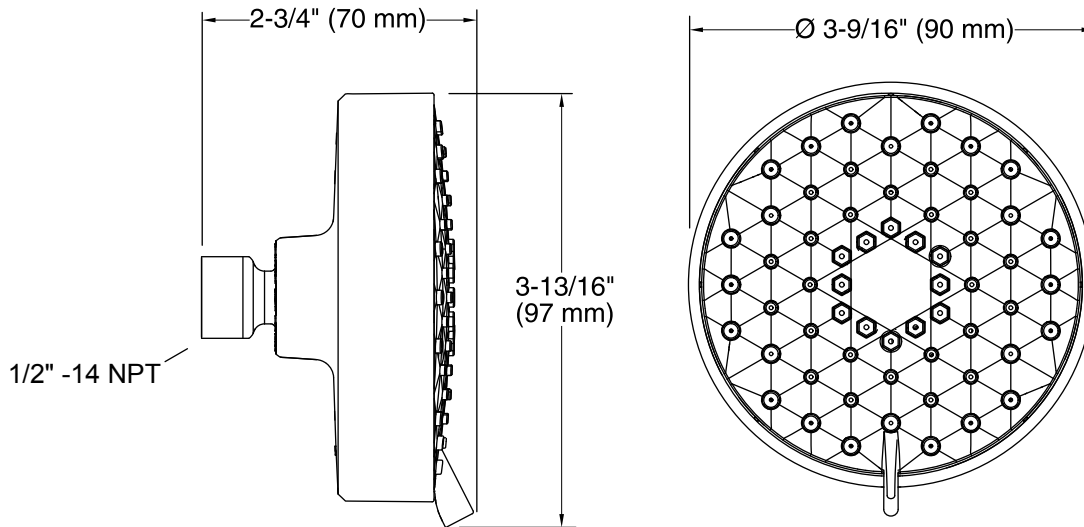
See website for detailed warranty information.

### Available Color/Finishes

*Color tiles intended for reference only.*

#### Color Code Description

	CP	Polished Chrome
	BN	Vibrant® Brushed Nickel



**Technical Information**

All product dimensions are nominal.

**Showerhead:**

Rated maximum flow: 2 gal/min (7.6 l/min)

**Notes**

Install this product according to the installation guide.