

Features

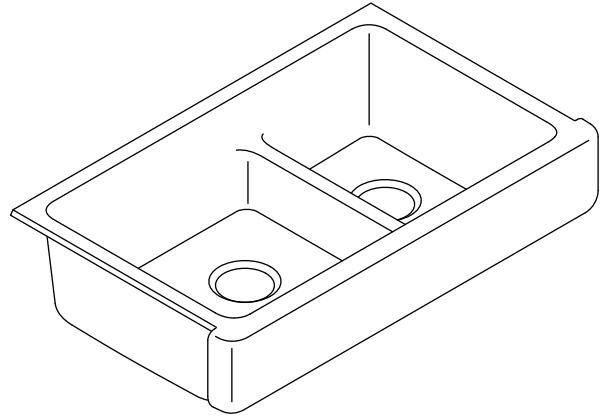
- KOHLER cast iron
- Acid-resistant enamel finish
- Double (small/large) bowl
- Smart Divide™ lowered divider
- Under-mount
- With 6-11/16" (170 mm) Self-Trimming integral apron
- Fits a standard 36" sink base cabinet
- 35-1/2" (902 mm) x 21-9/16" (548 mm)

Codes/Standards Applicable

Specified model meets or exceeds the following:

- ASME A112.19.1/CSA B45.2

SELF-TRIMMING® UNDER-MOUNT APRON FRONT SINK K-6426



Colors/Finishes

- 0: White
- Other: Refer to Price Book for additional colors/finishes

Accessories

- CP: Polished Chrome
- ST: Stainless Steel
- Other: Refer to Price Book for additional colors/finishes

Specified Model

Model	Description	Colors/Finishes		
K-6426	Self-Trimming under-mount apron front sink – short apron	<input type="checkbox"/> 0	<input type="checkbox"/> Other_____	
Recommended Accessories				
K-9000	P-Trap	<input type="checkbox"/> CP		
Optional Accessories				
K-5828	Stainless steel bottom bowl rack – large	<input type="checkbox"/> ST		
K-5874	Stainless steel bottom bowl rack – small	<input type="checkbox"/> ST		
K-8801	Duostrainer® sink strainer		<input type="checkbox"/> CP	<input type="checkbox"/> Other_____

Product Specification

The kitchen sink shall be made of cast iron with acid-resistant enamel finish. Sink shall be 35-1/2" (902 mm) in length and 21-9/16" (548 mm) in width. Sink shall feature double (small/large) bowl with Smart Divide lowered divider. Sink shall be under-mount with 6-11/16" (170 mm) Self-Trimming integral apron. Sink shall fit a standard 36" sink base cabinet. Sink shall be Kohler Model K-6426-_____.

WHITEHAVEN®

Technical Information

Fixture*	
Bowl area – large	17" (432 mm) x 18-1/16" (459 mm)
Bowl area – small	11" (279 mm) x 18-1/16" (459 mm)
Water depth	9" (229 mm)
Drain holes	Ø 3-5/8" (92 mm)
* Approximate measurements for comparison only.	

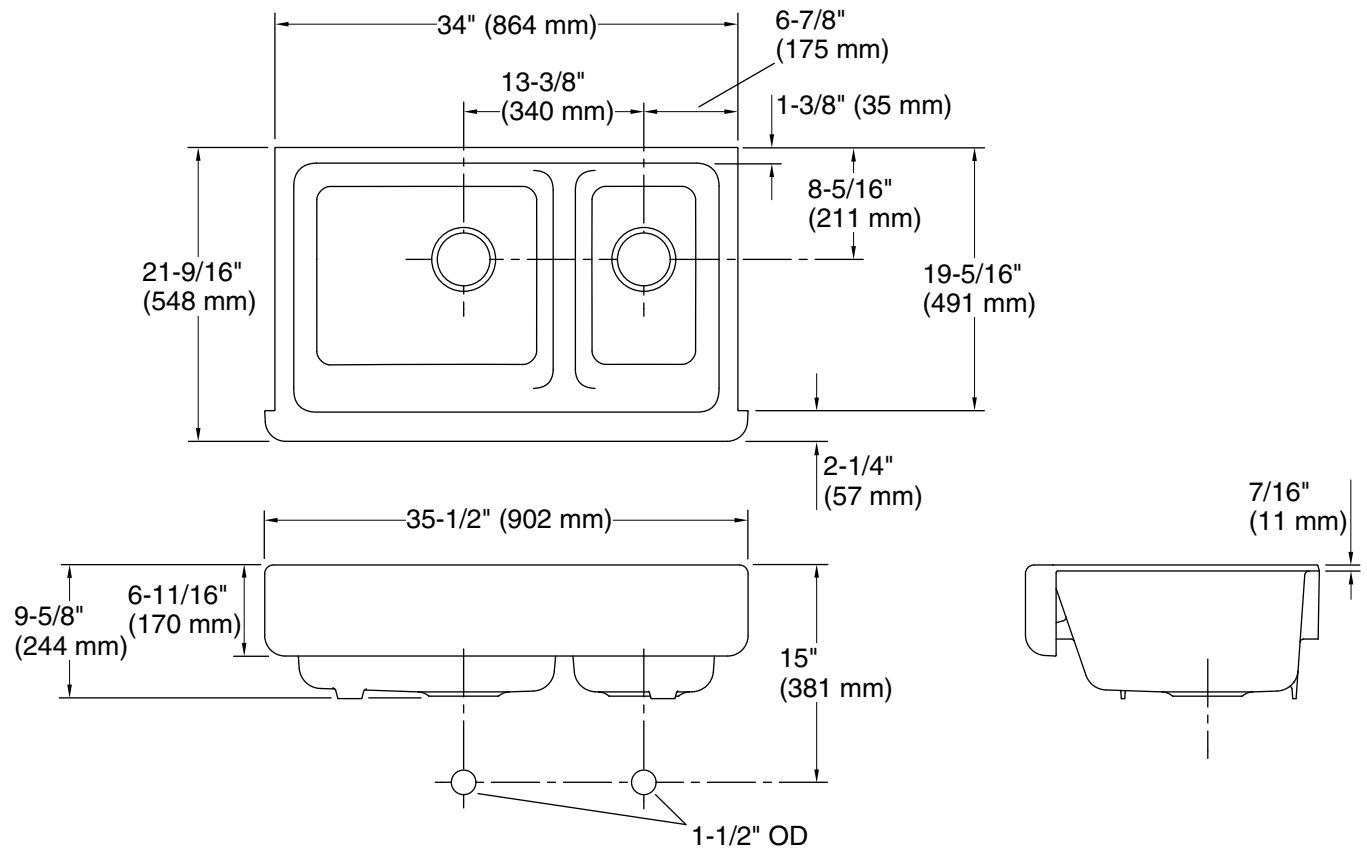
Included components:	
Countertop cut-out template	1156910-7
Cabinet face cut-out template	1211449-7

Installation Notes

Install this product according to the installation guide.

NOTICE: The countertop manufacturer or cutter **must** use the cut-out template provided with the product, or a current one provided by Kohler Co. (call 1-800-4KOHLEK). Kohler Co. is not responsible for cut-out errors when the incorrect cut-out template is used.

IMPORTANT! The distance from the top edge of the cabinet to the top of the cabinet door must be at least 6-7/8" (175 mm) to install this sink.



Product Diagram