

Features

- Single bowl.
- Squared bowl.
- Includes bottom bowl rack.
- 15" (381 mm) x 15" (381 mm)

Material

- 16-gauge stainless steel.

Technology

- Includes SilentShield® sound-absorption system.

Installation

- Under-mount.
- Includes installation hardware.

Optional Accessories

K-8801 Sink Strainer

Components

Additional included component/s: Hardware kit (2 required),
Cut-out template, and Bottom bowl rack.



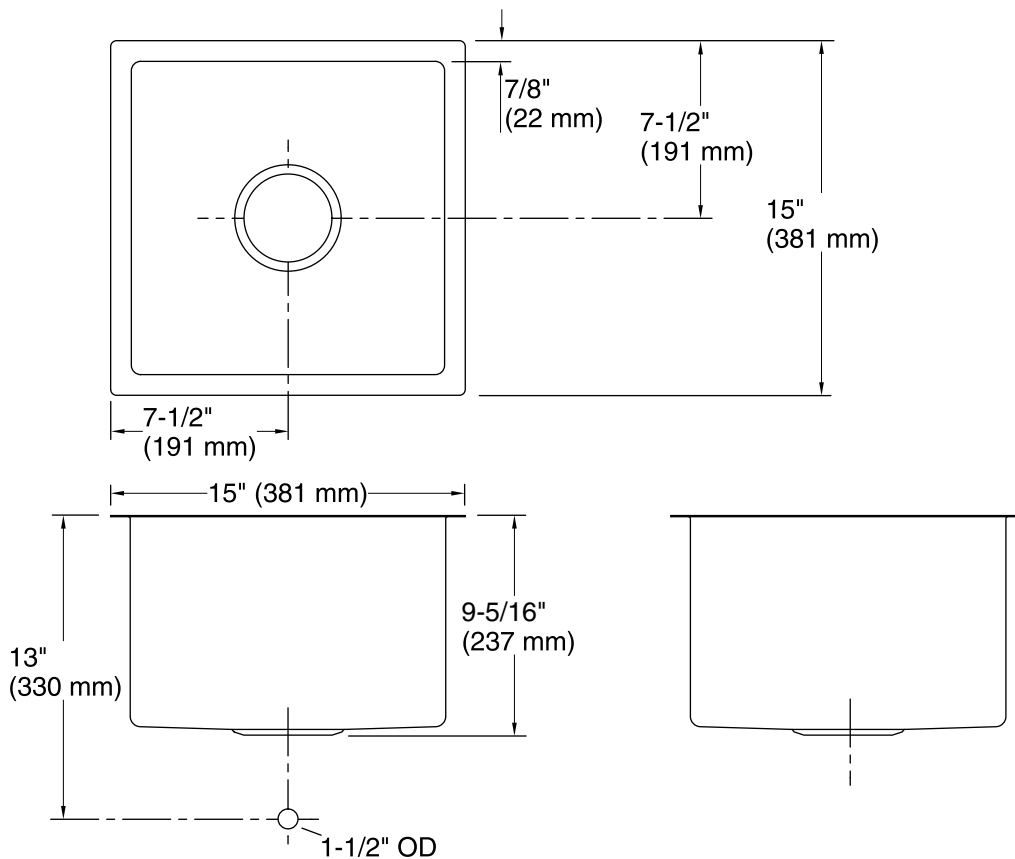
ADA

Codes/Standards

ASME A112.19.3/CSA B45.4
ADA
ICC/ANSI A117.1

Lifetime Limited Warranty for Kohler Stainless Steel Sinks

See website for detailed warranty information.



Technical Information

All product dimensions are nominal.

Bowl configuration: Single

Installation: Under-mount

Min. base cabinet width: 18" (457 mm)

Bowl area
Length: 13-1/4" (337 mm)
Width: 13-1/4" (337 mm)
Bowl depth: 9-5/16" (237 mm)
Water depth: 9" (229 mm)

Drain hole: 3-11/16" (94 mm)

Template: 1207219-7, not required, not included

Notes

Install this product according to the installation instructions.

ADA compliant when installed to the specific requirements of these regulations.