

Features

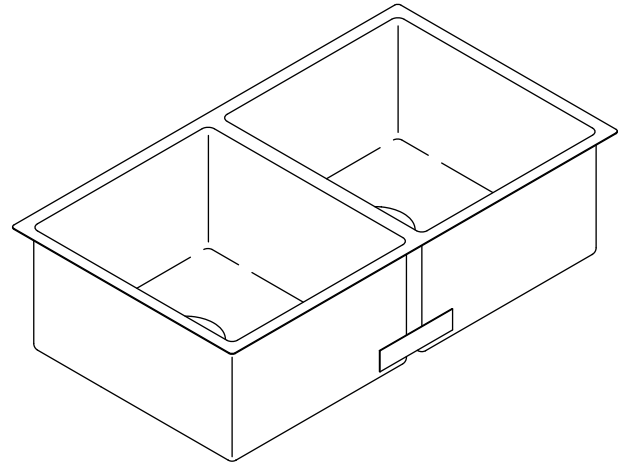
- 16-gauge stainless steel
- Under-mount
- Double (equal) bowl
- Squared bowl(s)
- Includes installation hardware
- Includes SilentShield® sound-absorption technology
- Includes divider dish cloth bar, divider utility shelf, and bottom bowl rack
- 32" (813 mm) x 18-1/4" (464 mm)

Codes/Standards Applicable

Specified model meets or exceeds the following:

- ASME A112.19.3/CSA B45.4

UNDER-MOUNT KITCHEN SINK K-5281



Colors/Finishes

- NA: None applicable

Accessories

- CP: Polished Chrome
- ST: Stainless Steel
- NA: None applicable
- Other: Refer to Price Book for additional colors/finishes

Specified Model

Model	Description	Colors/Finishes			
K-5281	Under-mount kitchen sink	<input type="checkbox"/> NA			
Included Accessories					
K-6432	Divider dish cloth bar	<input type="checkbox"/> ST			
K-6434	Divider utility shelf	<input type="checkbox"/> ST			
K-6641	Bottom bowl rack	<input type="checkbox"/> ST			
Optional Accessories					
K-6429	Sink bridge utility shelf with dish cloth bar	<input type="checkbox"/> ST			
K-6667	Wood cutting board – allow 3/4" (19 mm) clearance beyond the back of the bowl		<input type="checkbox"/> NA		
K-8801	Duostrainer® sink strainer			<input type="checkbox"/> CP	<input type="checkbox"/> Other_____

Product Specification

The under-mount kitchen sink shall be made of 16 gauge stainless steel. Sink shall be 32" (813 mm) in length and 18-1/4" (464 mm) in width. Sink shall feature double (equal) squared bowls and SilentShield sound-absorption technology. Sink shall include installation hardware. Sink shall include divider dish cloth bar, divider utility shelf, and bottom bowl rack. Sink shall be Kohler Model K-5281-NA.

STRIVE™

Technical Information

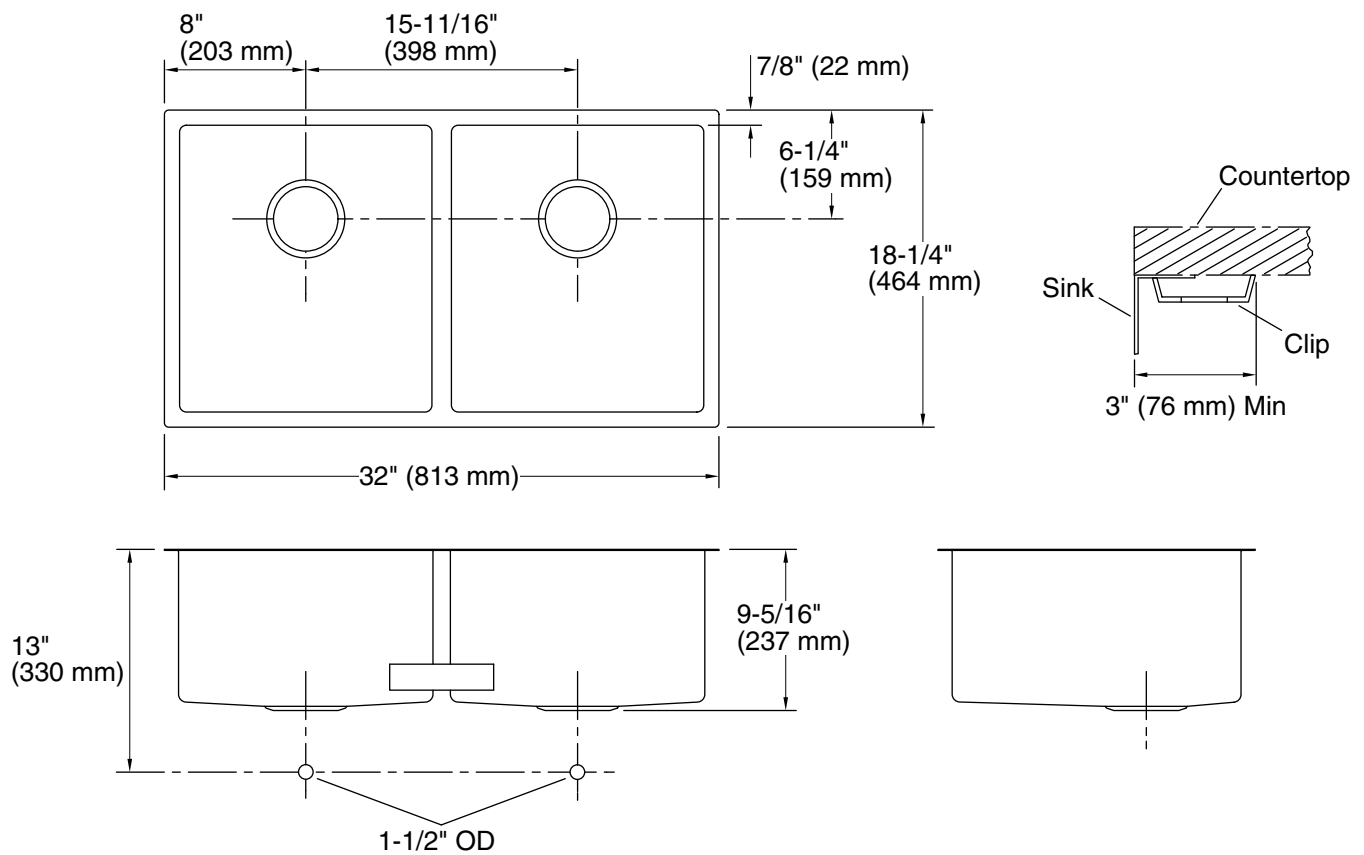
Fixture*:	
Bowl areas	14-9/16" (370 mm) x 16-1/2" (419 mm)
Water depth	9" (229 mm)
Drain holes	Ø 3-11/16" (94 mm)
*Approximate measurements for comparison only.	

Included components:	
Hardware kit (3 required)	91915
Cut-out template	1207216-7

Installation Notes

Install this product according to the installation guide.

Allow a minimum of 3" (76 mm) clearance around the sink rim for clip attachment.



Product Diagram